

# SPECIFICATIONS

## [General Specifications]

Model	SKH-12EA	SKH-24EA	SKH-100EA	SKH-200EA
Rated Voltage	12V DC	24V DC	100V AC (50/60Hz)	200V AC (50/60Hz)
Operating Voltage Range	9V ~ 16V DC	20V ~ 30V DC	90V ~ 110V AC	180V ~ 220V AC
Rated Current Consumption	0.8 A	0.5 A	65 mA	30 mA
Rated Power Consumption	9.6 W	12.0 W	6.2 W	6.5 W
Operating Ambient Temperature	- 30 °C to + 80 °C		- 30 °C to + 60 °C	
Operating Ambient Humidity	Less than 90 % (No condensation)			
Storage Ambient Temperature	- 30 °C to + 80 °C		- 30 °C to + 60 °C	
Storage Ambient Humidity	Less than 90 % (No condensation)			
Mounting Location	Indoors and Outdoors			
Mounting Direction	【Indoors】 Upright ,Inverted and Sideways / 【Outdoors】 Upright			
Protection Rating	IP23 (IEC 60529)			
Environmental Condition	Upright only			
Vibration Resistance	70 m/s <sup>2</sup> (JIS D 1601-1995)		45 m/s <sup>2</sup> (JIS D 1601-1995)	
Insulation Resistance			More than 1MΩ at 500VDC between the terminals and the chassis	
Withstand Voltage			The following voltage applied for 1min between terminals and chassis without breaking insulation	
			1000V AC	1500V AC
Flashing Rate	170 ± 25 Flashes Per Minute			
Bulb	12V 10W	24V 10W	12V 5W	
	Base : BA15S / Bulb : G18			
Luminous Intensity (No Globe)	8,000 cd	5,200 cd	3,340 cd	
Mass (Tolerance ±10%)	0.4 kg		0.6 kg	
Outer Dimensions	Refer to the Outer Dimension Drawing			
Conformity Standards	EMC Directive (EN 61000-6-4, EN 61000-6-2) RoHS Directive (EN 50581)			
Remarks	Conforms to the CE requirements			

### 【Model Number Configuration】

SKH —  EA —

● Globe Color / Case Color

- R : Red / Red
- Y : Amber / Amber
- G : Green / Light Gray
- B : Blue / Light Gray

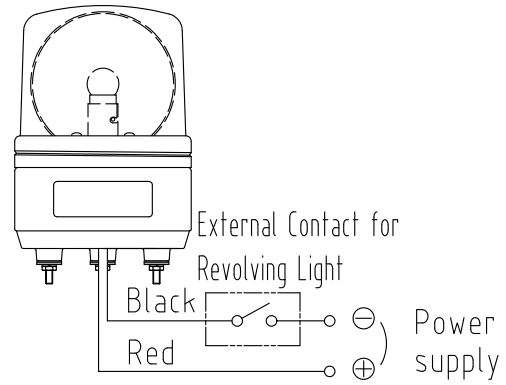
● Rated Voltage

- 12 : 12V DC
- 24 : 24V DC
- 100 : 100V AC
- 200 : 200V AC

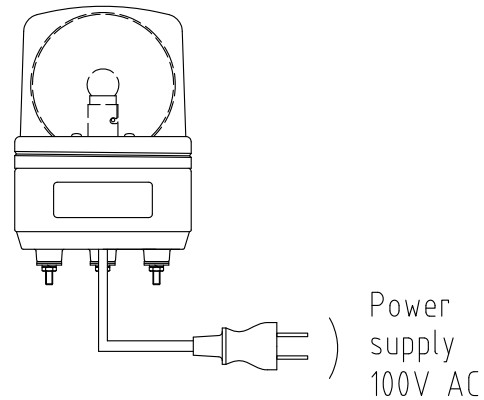
No. SKH-100EA-W18G-1\_2

# PATLITE Corporation

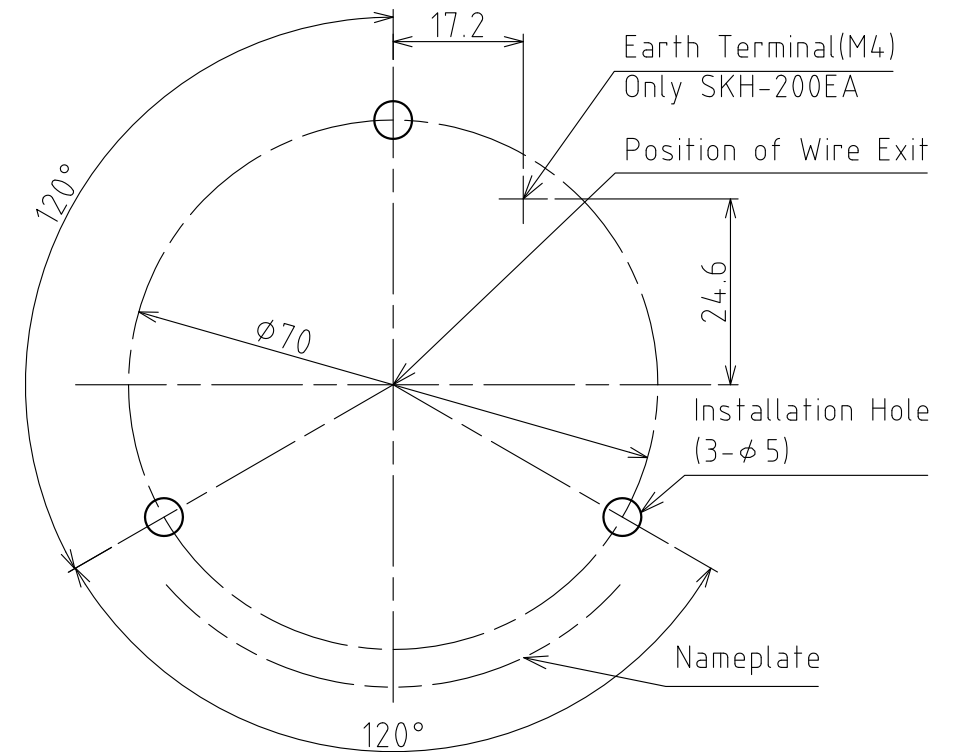
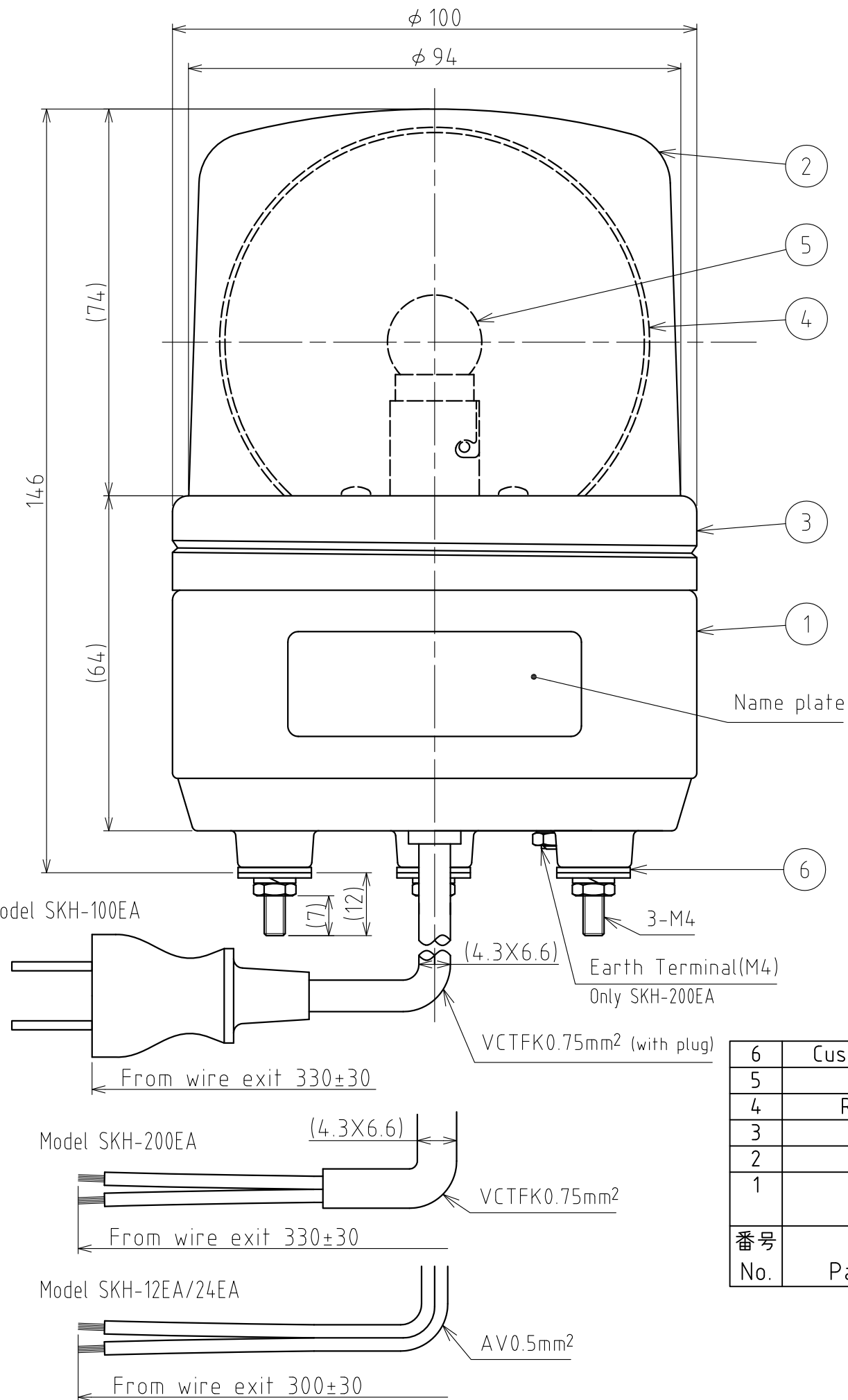
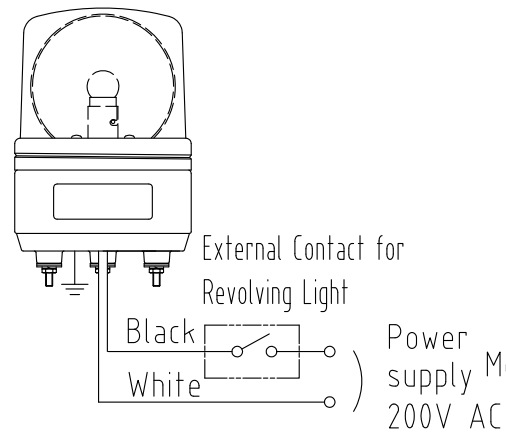
Wiring Example  
SKH-12EA/24EA



SKH-100EA



SKH-200EA



Dimension of Installation

[Note]

1. The cord hole needs to be 30mm or more in diameter for size of the wire to pass through.
2. Connect the Earth Terminal located on the bottom of the SKH-200EA to earth ground with an O-ring Terminal(M4).

6	Cushion rubber	-	3	NBR Black	
5	Bulb	-	1	Refer to Specifications	
4	Reflector	-	1	PC/Aluminum coating	
3	Flange	-	1	C2801/MBNi	
2	Dome	-	1	AS(Red·Amber·Green·Blue)	
1	Case	-	1	SPCC/Coating (Red·Amber·Light Gray)	
番号 No.	部品名 Part Name	品目コード Part No.	数量 Qty.	材料 & 寸法 & 処理 Material & Size & Finish	記事 Remarks

外観図面  
Outer Dimension Drawing

株式会社 パトライト  
PATLITE Corporation

SKH-100EA-W18G-2\_2