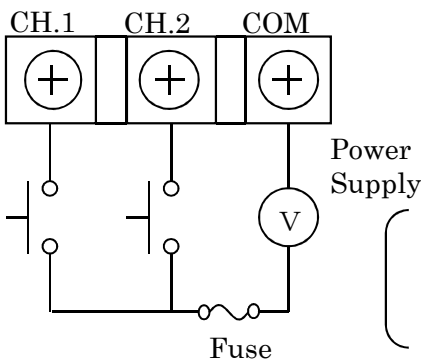


SPECIFICATIONS

[General Specifications]

Product Name	Audible Alarm		
Model	BM-202D	BM-210D	BM-220D
Rated Voltage	24V AC/DC	100V AC	220V AC
Operating Voltage Range	Rated Voltage $\pm 10\%$		
Rated Power Consumption	0.4W	2.5W	3.5W
Operating Ambient Temperature	-10°C to +60°C		
Operating Ambient Humidity	Less than 85% (No condensation)		
Mounting Location	Outdoor / Indoor		
Mounting Direction	Outdoor : Upright Indoor : Upright, Inverted & Sideways		
Protection Rating	IP34		
Vibration Resistance	19.6m/s ² (IEC 60068-2-6 30Hz Fixed frequency)		
Insulation Resistance	More than 1M Ω at 500VDC (Between live part and non-current carrying metallic part)		
Sound Pressure Level	Max. 75 dB (at 1 m)	Max. 80 dB (at 1 m)	
Sound	CH1 : Rapid(Hi-Lo) CH2 : Stutter (Rapid intermittene horn)		
CH Priority	1ch > 2ch		
Transduser	Piezo electric buzzer		
Withstand Voltage	AC 500V 1 minute	AC 1500V 1 minute	
	Between live part and non-current carrying metallic part		
Continuous Operating Time	500 h		
Mounting Board Tickness	5 mm or less		
Mounting Hole Dimension	ϕ 30.5 mm		
Mass(Tolerance $\pm 10\%$)	100 g		
Conformity Standards	EMC Directive (EN 55011, EN 61000-6-2) RoHS Directive (EN IEC 63000)		
Remarks	Conforms to the CE Requirements Conforms to the UKCA Requirements	There are no contents of controlled substances exceeding the threshold for the RoHS Directive.	
Wiring	 <p style="text-align: center;">Fuse</p> <p style="text-align: right;">Power Supply</p> <p style="text-align: right;">※ BM-202D is AC/DC type. Therefore, power supply's polarity isn't mentioned.</p>		

1

2

3

4

5

6

7

8

指定 外公差 General Tolerance	角度公差 ±[°]			寸法公差 ±[mm]					図番 Drawing No. BM-202D-W18	改訂 Rev.	年月日 Date	改訂履歴 Revisions			
	短辺 長さ Length of short side	~	~100	6	30	120	300	1000							
	精 f	1	0.5	0.3	0.1	中 m	0.1	0.3					0.5	0.7	1
	粗 v	3	1.5	1	0.5	粗 c	0.3	0.5					1	1.2	2

ページ Page

2/2

A

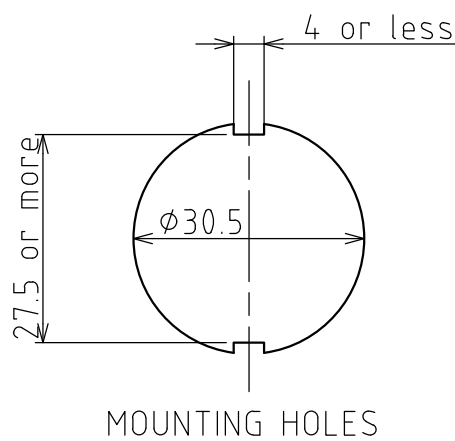
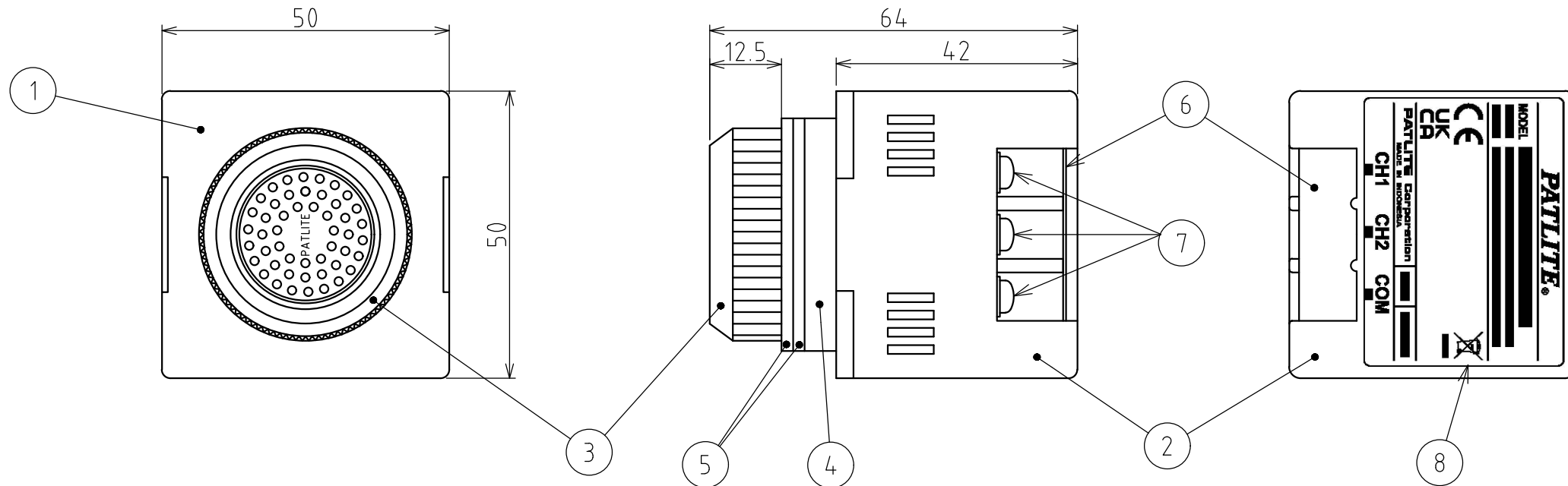
B

C

D

E

F



8	Nameplate	1	
7	TERMINAL SCREW	3	MBNi
6	TERMINAL COVER	1	PC, Black
5	RUBBER PACKING B	2	NBR t2.0
4	RUBBER PACKING A	1	NBR t3.5
3	RING	1	ABS
2	BODY B	1	ABS, BLACK
1	BODY A	1	ABS, BLACK
番号 No.	部品名 Part Name	数量 Qty.	記事 Remarks

機種 Model	BM-202D,210D,220D	特注No. S.P.No.	-	図名 Name	Outer Dimensions Drawing
品目コード Part No.	-	尺度 Scale	-	三角法 3rd Angle P.	単位 Unit mm
				株式会社 PATLITE Corporation	パトライト

1

2

3

4

5

6

7

8

Ver.2.0