

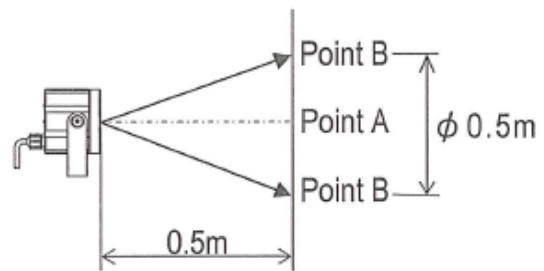
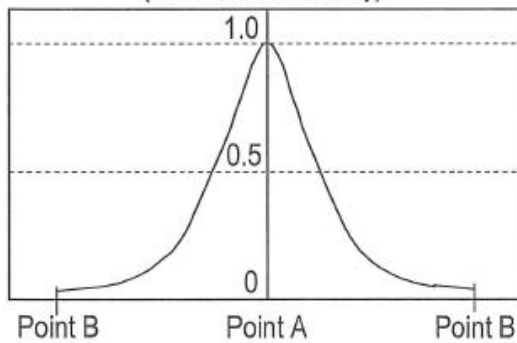
SPECIFICATIONS

[General Specifications]

Product Name	LED Work Light	
Model	CLE-24N	
Rated Voltage	24V DC (non-polar)	
Operating Voltage Range	Rated voltage \pm 10%	
Rated Power Consumption	1.3W	
Operating Ambient Temperature	-25°C to +60°C	
Operating Ambient Humidity	Less than 90% (No condensation)	
Mounting Location	Indoor or outdoor	
Mounting Direction	Upright, horizontal and sideways	
Protection Rating	IP65f conformity	
Vibration Resistance	19.6m/s ² (30Hz)	
Light Source	LED	24-LED of white high intensity
	Luminuous intensity (at optical center)	160cd or more
Mass (Tolerance \pm 10%)	0.3kg	
Conformity Standards	EMC Directive (EN 61000-6-4, EN 61000-6-2) RoHS Directive (EN IEC 63000)	
Remarks	Conforms to the CE Requirements	

<Irradiation pattern (Referential data)>

(Relative luminosity)



1

2

3

4

5

6

7

8

指定 外公差 General Tolerance	角度公差 ±[°] Angular tolerance ±[°]			寸法公差 ±[mm] Dimensional tolerance ±[mm]					図番 Drawing No.			
	短辺 長さ Length of short side	~	~100	6	30	120	300	1000	改訂 Rev.		年月日 Date	改訂履歴 Revisions
	精 f	1	0.5	0.3	0.1	中 m	0.1	0.3	0.5	0.7	1	
	粗 v	3	1.5	1	0.5	粗 c	0.3	0.5	1	1.2	2	

CLE-24N-W18			ページ Page
			2/2

A

B

C

D

E

F

A

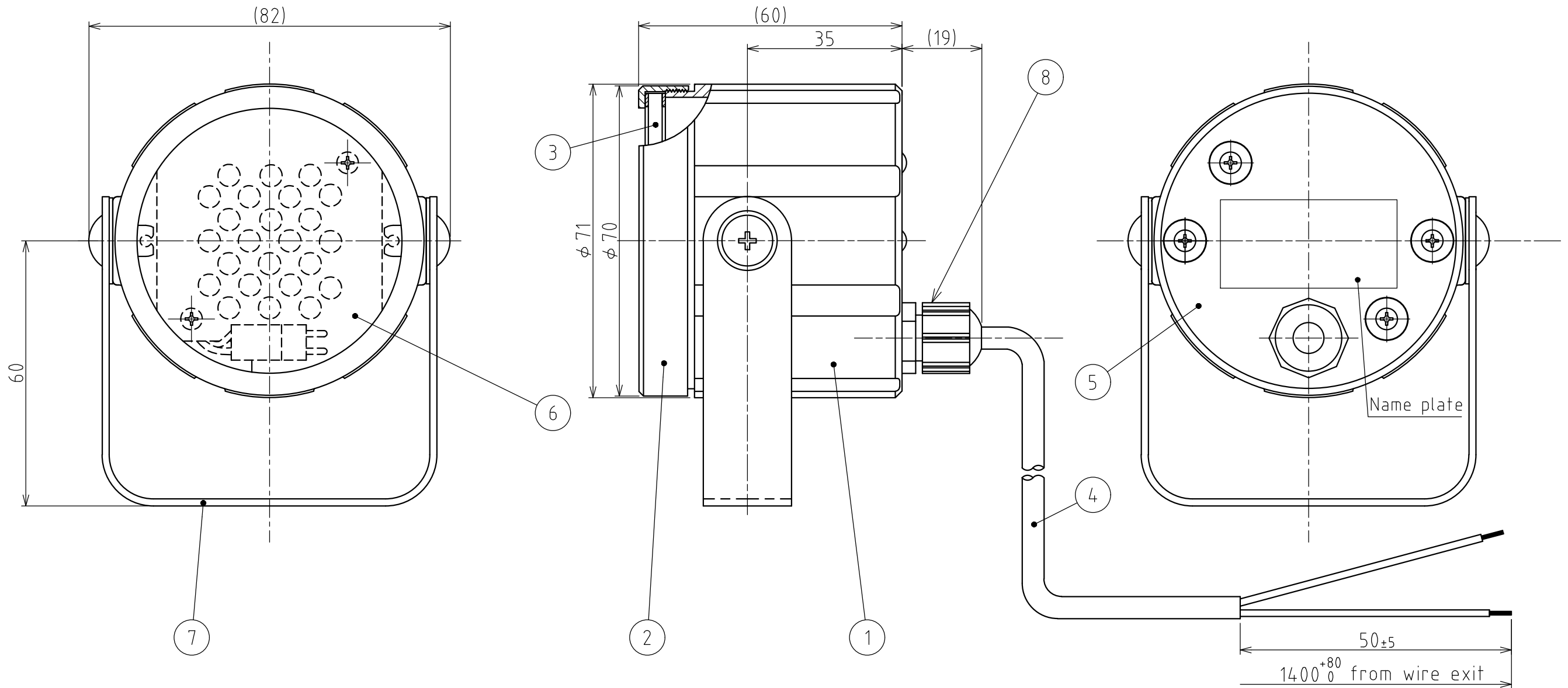
B

C

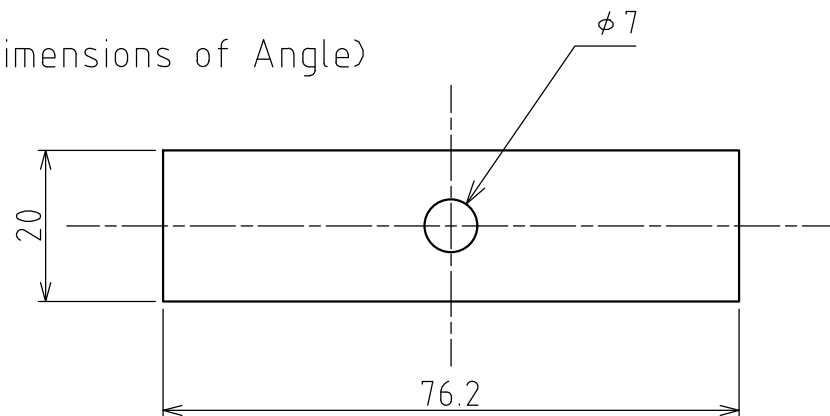
D

E

F



(Dimensions of Angle)



Note The body is grounded.

8	Cable clamp	1	
7	Angle	1	SPCC t=1.6
6	LED P.C.B. assembly	1	
5	Bottom plate	1	SPCC t=1.0, Plating
4	Power source cable	1	0.5mm ² Cable cable, Black
3	Clear glass assembly	1	
2	Cap	1	Aluminum
1	Body	1	Aluminum extrusion, Alumite
番号 No.	部品名 Part Name	数量 Qty.	記事 Remarks

機種 Model	CLE-24N	特注No. S.P.No.	-	図名 Name	Dimensions
品目コード Part No.	-	尺度 Scale	1:1	三角法 3rd Angle P.	単位 Unit mm
				株式会社 パトライト PATLITE Corporation	

1

2

3

4

5

6

7

8

Ver.2.2 A3