

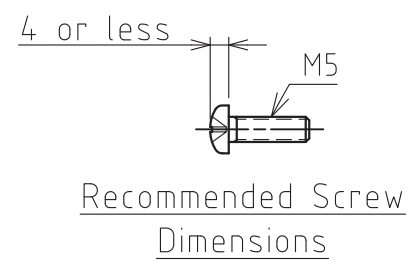
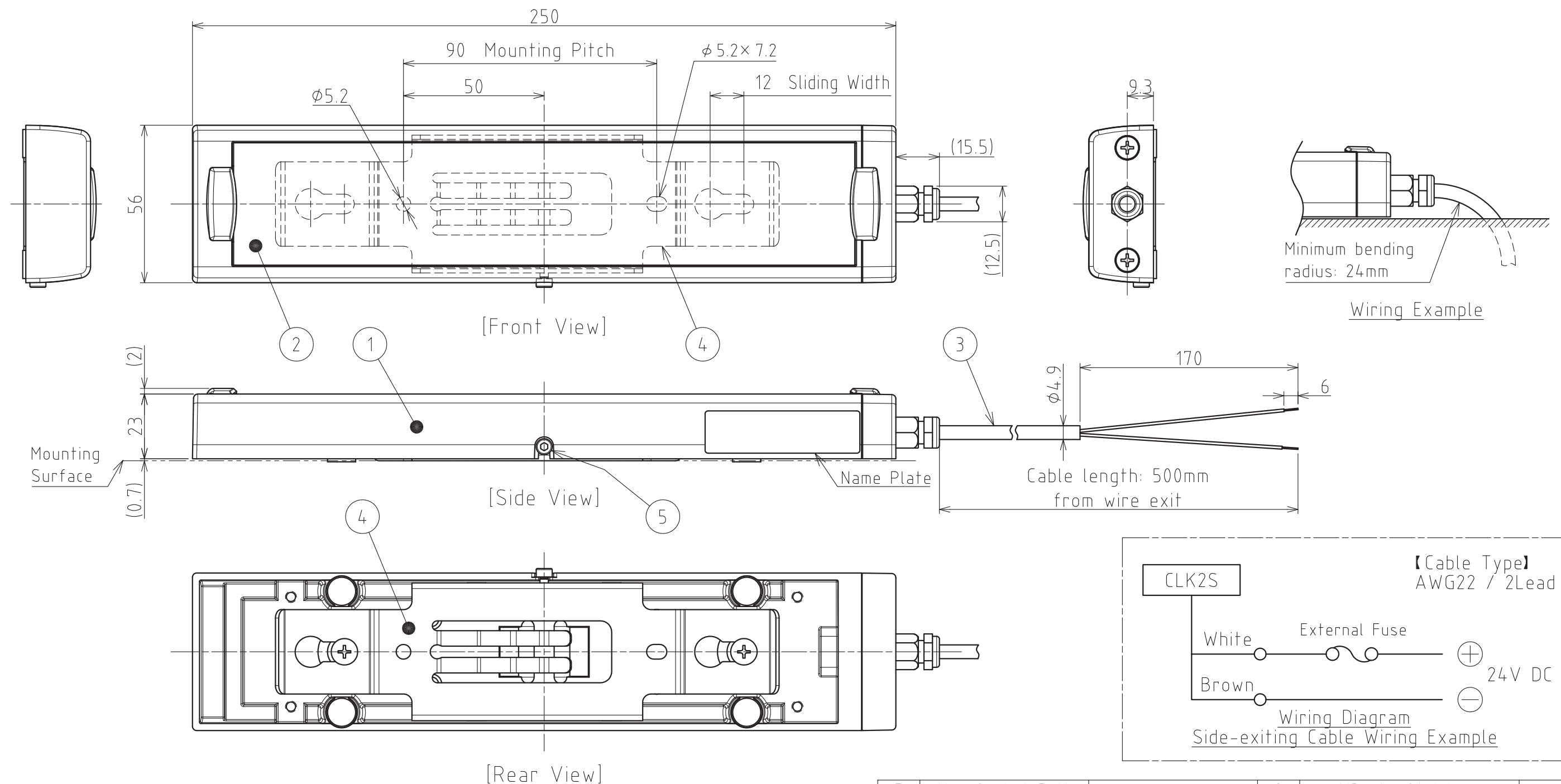
SPECIFICATIONS

[General Specifications]

Model	CLK2S-24AG	
Color Code	CD	CN
Luminous Color	Daylight	Natural White
Color Temperature (typ.)	6500 K	5000 K
Illuminance (typ.) (Center, at 24V DC)	1.0m	820 lx
	2.0m	200 lx
Total Luminous Flux (typ.)	865 lm	
Rated Voltage	24V DC (Polarized)	
Operating Voltage Range	24V DC ±10%	
Rated Current Consumption	348 mA ±10%	
Rated Power Consumption	8.4 W	
Operating Ambient Temperature	-40°C ~ +60°C	
Operating Ambient Humidity	90%RH or less, no condensation	
Main Unit Material	Body : Aluminum Alloy , Lens : Tempered Glass	
Mounting Location	Indoor	
Mounting Direction	All Directions	
Protection Rating	IP66G/67G (JIS C0920) / 69K (DIN 40050 part9)	
Environmental Condition	Cable Connector not included	
Insulation Resistance	More than 5MΩ at 500V DC between the terminals and the chassis	
Withstand Voltage	500V AC applied for 1min between terminals and chassis without breaking insulation	
Vibration Resistance	19.6 m/s ² (JIS C 0911-1984)	
Mass (Tolerance ±10%)	450g; Standard Bracket: 76g (Qty: 1 pc.)	
Dimensions	Refer to Outer Dimension Drawing	
Conformity Standards	Conforms to the CE requirements:EN 55015, EN 61000-6-2 RoHS Directive(DIRECTIVE 2011/65/EU) UL Listed (File No.E306141)	
Remarks	<p>• Model Number Configuration</p> <div style="text-align: center;"> <p>● Luminous Color CD : Daylight / CN : Natural White</p> <p>● Main Unit Material AG : Body - Aluminum Alloy Lens - Tempered Glass</p> <p>● Connector Specifications S : Side-exiting Cable</p> </div> <p>※1 Specifications and dimensions may change without prior notice for improvements, etc. ※2 Due to the characteristics of the LED, color temperature, brightness and hue will differ for every LED and every product. ※3 This product's illuminance may be affected when used in airtight conditions.</p>	
No. CLK2S-24AG-W18E-1_2		
PATLITE Corporation		

生産終了
Production end

Product sliding direction for attachment. (Note 1) →



[Note]
 1. Attachment of the product is done by sliding it into the Standard Bracket (Refer to figure on the right). It is also possible to rotate the Standard Bracket 180 degrees to slide it in the opposite direction.
 2. An option bracket is also available. Part Number: CLK-001,SZ-320KS (Refer to the bracket specifications for details.)

5	Hex Socket Bolt		2	M3×6 , Stainless	
4	Standard Bracket		2	Stainless	
3	Power Cable		1	AWG22 / 2Lead	
2	Glass (Lens)		1	Tempered Glass	
1	Body		1	Aluminium Alloy	
番号 No.	部品名 Part Name	品目コード Part No.	数量 Qty.	材料 & 寸法 & 処理 Material & Size & Finish	記事 Remarks

CLK2S-24AG
 Outer Dimension Drawing
 株式会社 パトライト
 PATLITE Corporation
 CLK2S-24AG-W18E-2_2