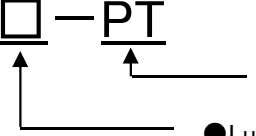


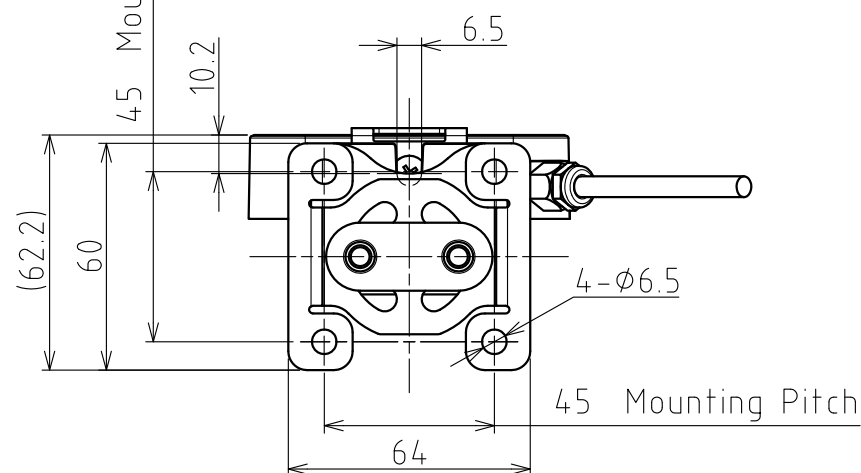
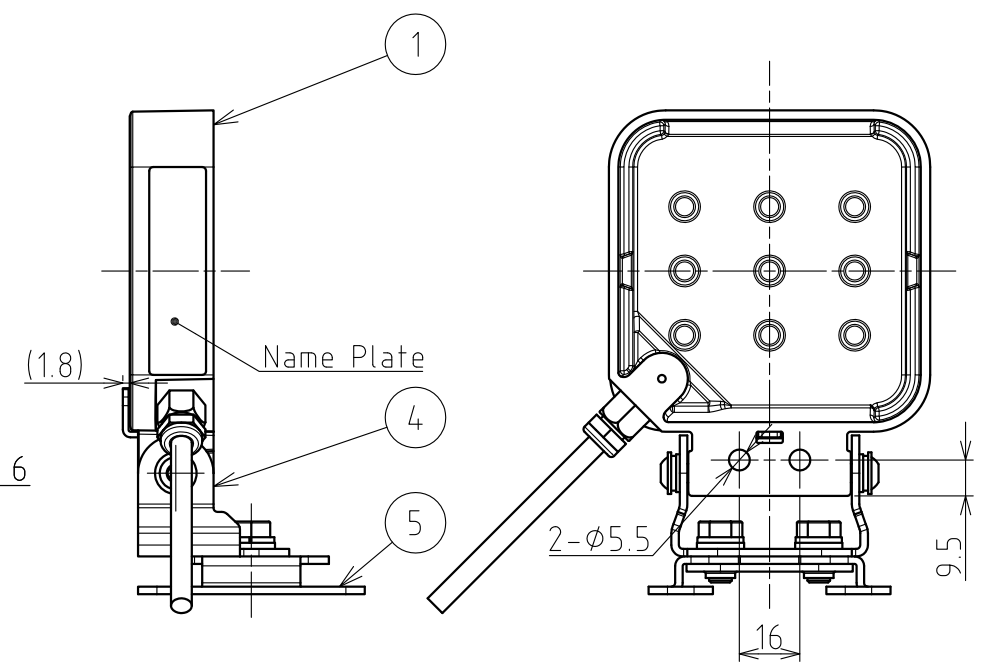
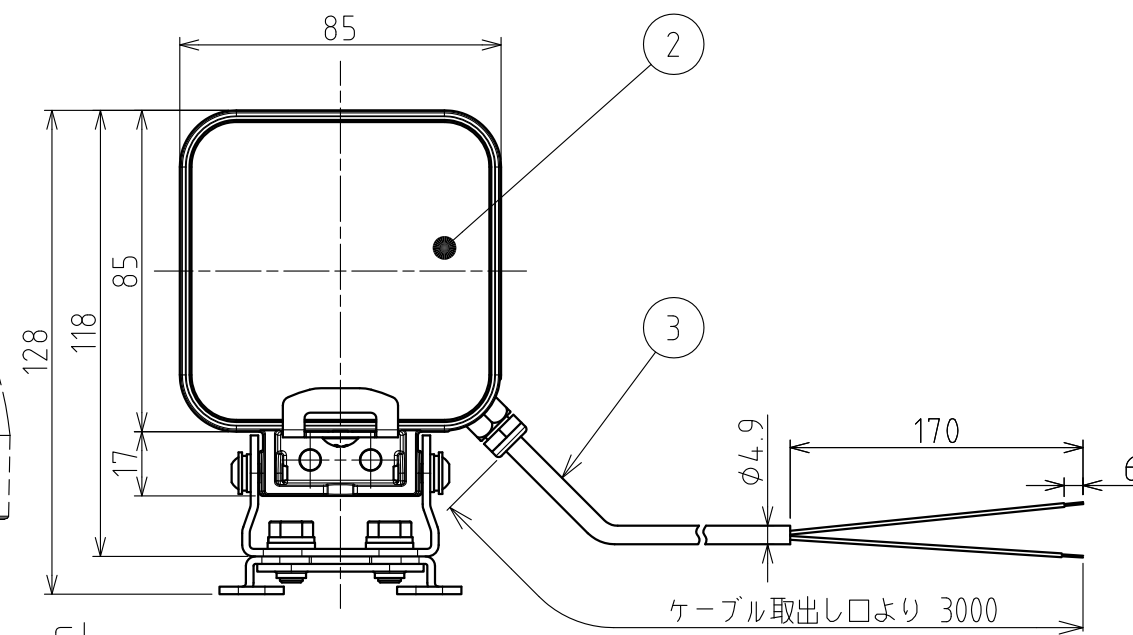
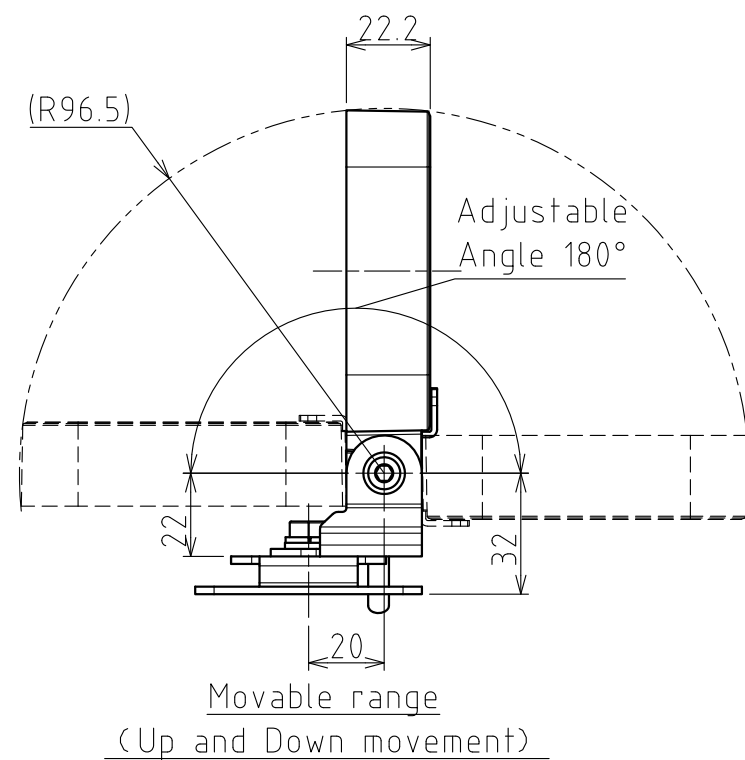
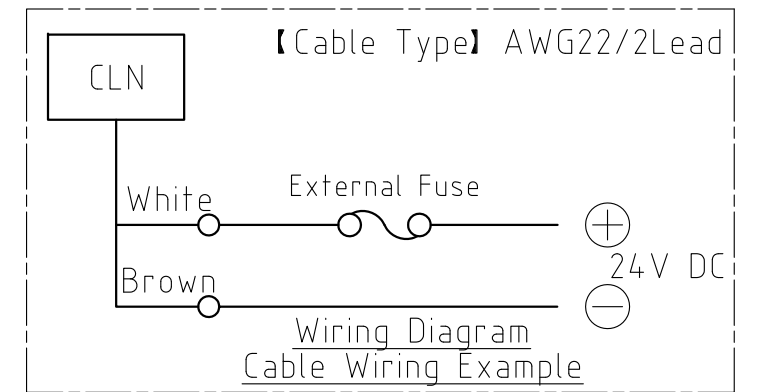
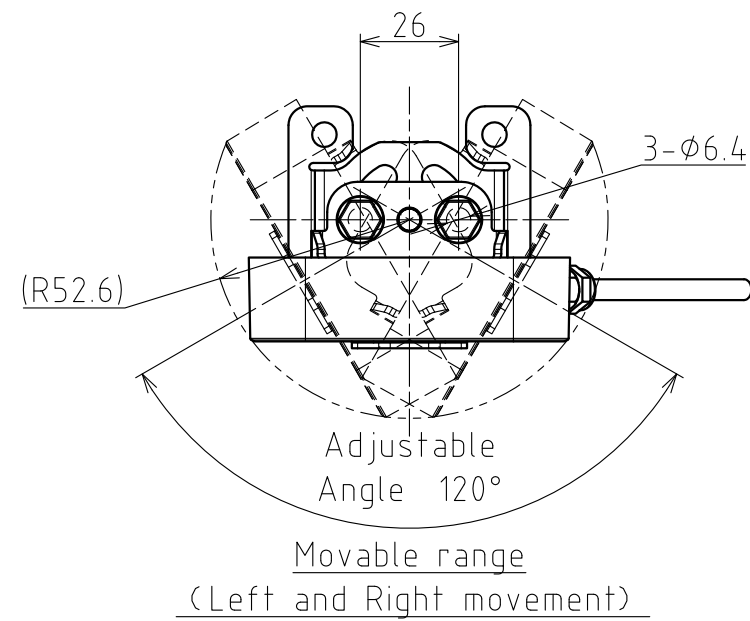
SPECIFICATIONS

[General Specifications]

Model	CLN-24-□-PT	
Color Code	CD	CL
Luminous Color	Daylight	Warm White
Color Temperature (typ.)	6500 K	2700 K
Illuminance (typ.) (Center, at 24V DC)	1.0m	820 lx
	2.0m	200 lx
Total Luminous Flux (typ.)	550 lm	330 lm
Rated Voltage	24V DC (Polarized)	
Operating Voltage Range	24V DC ±10%	
Rated Current Consumption	174mA ±10%	
Rated Power Consumption	4.2W	
Operating Ambient Temperature	-40°C ~ +60°C	
Operating Ambient Humidity	90%RH or less, no condensation	
Main Unit Material	Body : Aluminum Alloy , Lens : Tempered Glass	
Mounting Location	Indoor	
Mounting Direction	All Directions	
Protection Rating	IP66G/67G (JIS C0920) /69K (DIN 40050 part9)	
Environmental Condition	Cable Connector not included	
Insulation Resistance	500V DC 5MΩ or more	
Withstand Voltage	500V AC for 1 minute (between terminals and chassis)	
Vibration Resistance	30Hz Total amplituded 0.3mmp-p Back and Forth, Up and Down, Left and Right for 2hrs. Each Total amplituded 0.3mmp-p(10 to 57Hz) Acceleration 19.6m/s ² (57 to 150Hz) (JIS C60068-2-6)	
Mass (Tolerance ±10%)	440g	
Dimensions	Refer to Outer Dimension Drawing	
Conformity Standards	Conforms to the CE requirements:EN 55015, EN 61000-6-2 RoHS Directive(DIRECTIVE 2011/65/EU) UL Listed (File No.E306141)	
Remarks	<p>• Model Number Configuration</p> <p style="text-align: center; font-size: 1.2em;">CLN - 24 - □ - PT</p> <div style="display: flex; justify-content: space-around; align-items: center;"> <div style="text-align: center;">  </div> <div style="text-align: left;"> <p>● Movable type : Pan/Tilt</p> <p>● Luminous Color CD : Daylight , CL : Warm White</p> </div> </div> <p>※1 Specifications and dimensions may change without prior notice for improvements, etc.</p> <p>※2 Due to the characteristics of the LED, color temperature, brightness and hue will differ for every LED and every product.</p> <p>※3 This product's illuminance may be affected when used in airtight conditions.</p>	

No. CLN-24-PT-W18D-1_2

PATLITE Corporation



5	Pan-Bracket		1	SUS304 , t2.0	
4	Tilt-Bracket		1	SUS304 , t2.0	
3	Power Cable		1	AWG22 / 2Lead	
2	Glass (Lens)		1	Tempered Glass	
1	Body		1	Aluminium Alloy	
番号 No.	部品名 Part Name	品目コード Part No.	数量 Qty.	材料 & 寸法 & 処理 Material & Size & Finish	記事 Remarks

CLN-24-□-PT
Outer Dimension Drawing

株式会社 パトライト
PATLITE Corporation

CLN-24-PT-W18D-2_2