

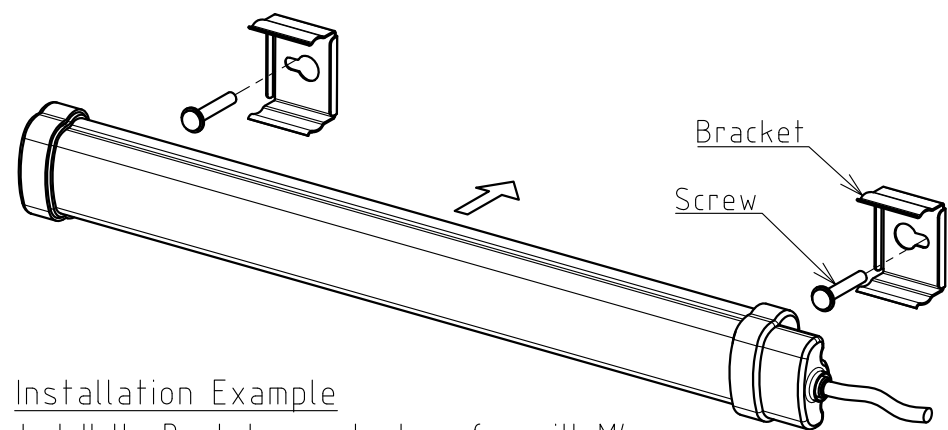
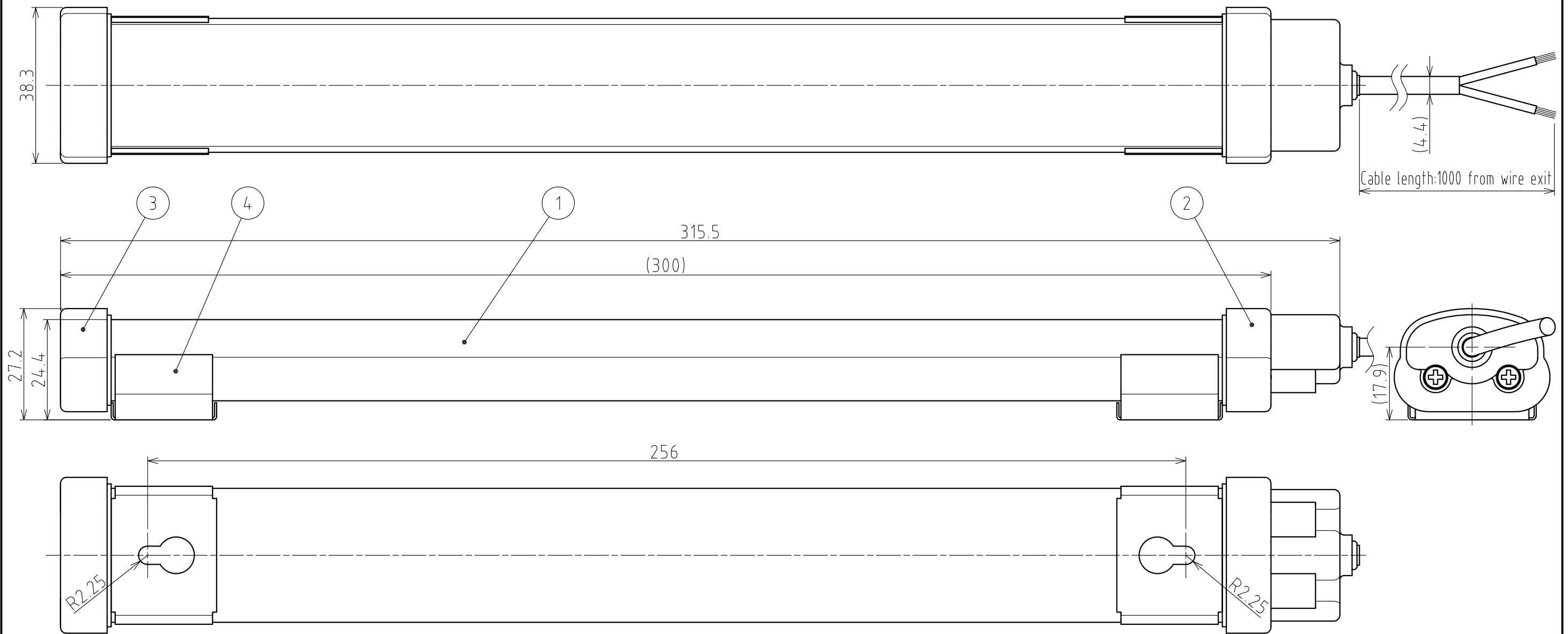
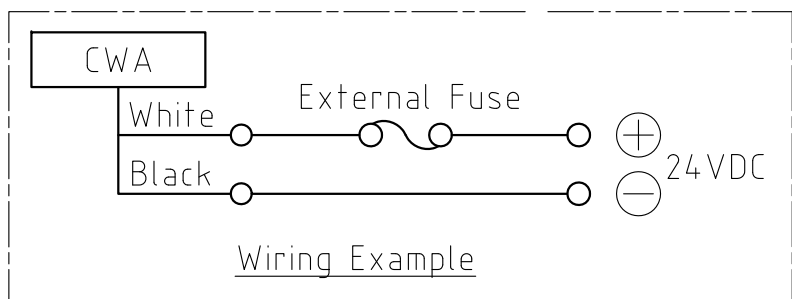
# SPECIFICATIONS

[General Specifications]

Model	CWA3S-24-CD	
Color Code	CD	
Luminous Color	Daylight	
Color Temperature (typ.)	6500 K	
Illuminance (at 24V DC,1m)	110 lx	
Total Luminous Flux (at 24V DC)	385 lm	
Rated Voltage	24V DC (Polarized)	
Operating Voltage Range	Rated Voltage $\pm$ 10%	
Signal Wire Current (Rated Current Consumption)	Typ.	180 mA
	Max.	198 mA
Operating Ambient Temperature	-30 °C to +60 °C	
Operating Ambient Humidity	Less than 90% (No condensation)	
Storage Ambient Temperature	-35 °C to +65 °C	
Storage Ambient Humidity	Less than 90% (No condensation)	
Mounting Direction	All Directions	
Protection Rating	IP65 (IEC 60529) (Cable connection ends not included)	
Vibration Resistance	19.6 m/s <sup>2</sup> (30Hz, Back and Forth, Up and Down, Left and Right for 2 hrs. each)	
Mass	215 $\pm$ 10 g	
Outer Dimensions	Refer to the Outer Dimension Drawing	
Conformity Standards	EMC Directive (EN 55015, EN 61000-6-2) RoHS Directive (EN 50581) UL Listed (File No.E306141)	
Remarks	· Due to the inherent properties of the LED, color variations and hue may occur.	

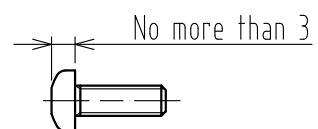
No.CWA3S-24-CD-W18D-1\_2

**PATLITE Corporation**



Installation Example

Install the Bracket on a sturdy surface with M4 screws, and snap the main unit into place.



Screw Dimensions

4	Bracket	-	2	SUS	
3	End Cap B	-	1	PC (White)	
2	End Cap A	-	1	PC (White)	
1	Cover	-	1	PC (Clear)	
番号 No.	部品名 Part Name	品目コード Part No.	数量 Qty.	材料 & 寸法 & 処理 Material & Size & Finish	記事 Remarks

外観図面  
Outer Dimension Drawing

株式会社 パトライト  
PATLITE Corporation

CWA3S-24-CD-W18D-2\_2