

Drawing No.	Rev.	Page
GL10-M1NC1-A18	B	1/4

SPECIFICATIONS

Product Name: Flashing Beacon

Model: GL10-M1NC1-T

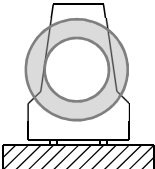
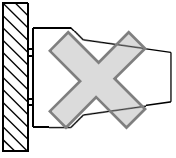
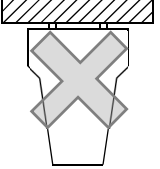
Drawn	K. Koizumi 11. Oct. '24
Checked	T. Aono 11. Oct. '24
Approved	T. Umemoto 11. Oct. '24



PATLITE Corporation

Drawing No.	Rev.	Page
GL10-M1NC1-A18	B	2/4

[1. General Specifications]

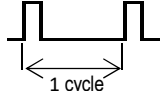
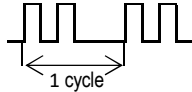
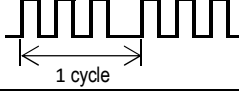
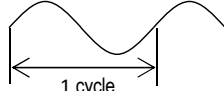
Model		GL10-M1NC1-T		
Rated Voltage		12 - 24V DC		
Operating Voltage Range		10 - 32V DC		
Rated Current Consumption	12V DC	Typ.	0.32A (Red, Triple flash, High speed)	
		Max.	1.0A	
	24V DC	Typ.	0.17A (Red, Triple flash, High speed)	
		Max.	0.5A	
Rated Power Consumption		Max.	12.0W	
Operating Ambient Temperature		-40°C to +85°C		
Operating Ambient Humidity		90% RH or less (No condensation)		
Storage Ambient Temperature		-40°C to +85°C		
Storage Ambient Humidity		90% RH or less (No condensation)		
Mounting Location		Indoor/Outdoor (Construction equipment allowed)		
Mounting Direction		 <p>Upright</p>	 <p>Sideways</p>	 <p>Inverted</p>
Protection Rating		IP6X, IPX6 (IEC 60529), IPX9K (ISO 20653)		
Environmental Condition		Upright*		
Vibration Resistance		110m/s ² (JIS D 1601:1995)		
Impact Resistance		1,000m/s ² , 11ms (IEC60068-2-27:2008)		
Communication Specification		CAN		
Communication Protocol		SAE J1939		
Baud Rate		250kbps, 500kbps (auto detection)		
Source Address		183 (default)		
Terminating Resistor		None		
Mass (Tolerance ±10%)		840g		
Outer Dimensions		Refer to "Outer Dimension Drawing"		
Conformity Standards		EN ISO 13766-1 EN IEC 63000		
Remarks		<ul style="list-style-type: none"> • Conforms to the CE requirements. • Conforms to the UKCA requirements. • Complies with ISO 16750. • The EMC level is in conformity with a requirements of ECE Regulation No.10.06 standards. • Due to the characteristics of the LED elements, there may be a slight variation in color tone and brightness between products. • When the inside of the main unit becomes hot, the light is selfresponsively dimmed to protect the main unit, even within the ambient temperature of use. <p>* When mounting holes and wire entry holes machined in accordance with the mounting dimensions diagram are used. (Refer to "5. Outer Dimension Drawing")</p>		

[2. Model]

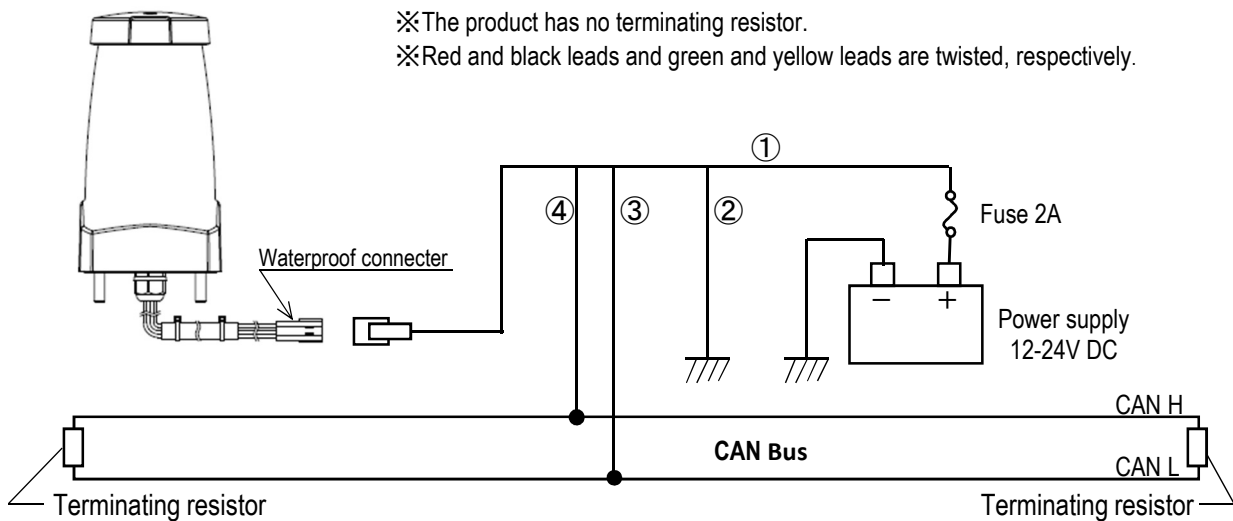
GL10 - M1NC1 - T

Control Specification
C1 : CAN communication (J1939)

[3. Operating Specifications]

Luminous pattern	Luminous color	Flash rate	Brightness adjustment
Single flash 	Red, Amber, Green	31 flashies per minute (Low speed), 63 flashes per minute (Medium speed), 125 flashes per minute (High speed)	4 steps
Double flash 	Red, Amber, Green	31 flashies per minute (Low speed), 63 flashes per minute (Medium speed), 125 flashes per minute (High speed)	
Triple flash 	Red, Amber, Green	31 flashies per minute (Low speed), 63 flashes per minute (Medium speed), 125 flashes per minute (High speed)	
Slow flash 	Red, Amber, Green	31 flashies per minute (Low speed), 63 flashes per minute (Medium speed), 125 flashes per minute (High speed)	
Continuous	Red, Amber, Green	-	

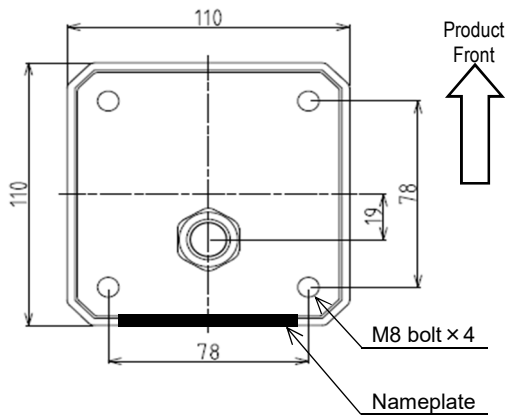
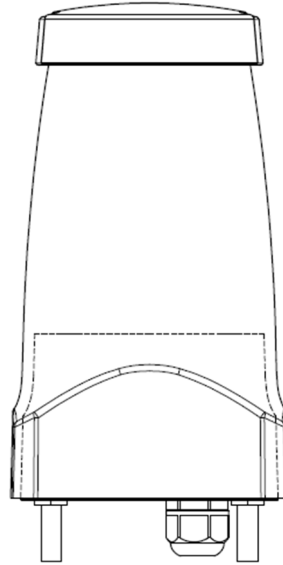
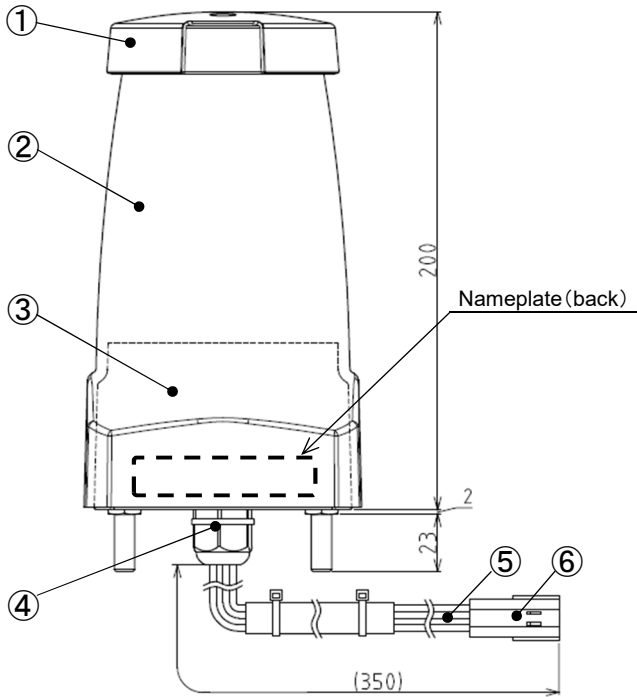
[4. Wiring Example]



Waterproof connector specifications and Pinouts

Mfr.	Model No.	Pinout		
		No.	Lead Color	Function
TE Connectivity	DEUTSCH Connector DT04-4P-CE02 (Applicable connector type: DT06-4S-CE02)	①	Red	Power input line
		②	Black	Earth wire
		③	Green	Comm. line CAN L
		④	Yellow	Comm. line CAN H

[5. Outer Dimension Drawing]



No.	Parts name	Material
①	Top cover	PC
②	Globe	PC(Clear)
③	Base	PC
④	Waterproof cable gland	-
⑤	Lead wire	IVSSH 0.5f
⑥	Waterproof connector	-

[Mounting Dimensions]

