

SPECIFICATIONS

[General Specifications]

Model		LA6-5DSNWB-POE	
Rated Voltage		DC24V	
Power over Ethernet (PoE)		DC48V	
Operating Voltage Range		DC24V ±10%	
Power over Ethernet (PoE)		DC36~57V	
Rated Current Consumption	Typ.	0.30A (DC24V supply) 0.18A (PoE: DC48V supply) ※1	
	Max.	0.49A (DC26.4V supply) 0.26A (PoE: DC48V supply) ※1	
Rated Power Consumption	Typ.	7.2W (DC24V supply) 8.6W (PoE: DC48V supply) ※1	
	Max.	12.9W (DC26.4V supply) 12.5W (PoE: DC48V supply) ※1	
Signal Wire Current		420mA ※1 / 70mA ※2 (DC26.4V supply) 10mA (PoE: DC48V supply) ※1	
Operating Ambient Temperature		-10°C ~ +50°C	
Operating Ambient Humidity		Less than 90%RH (No condensation)	
Storage Ambient Temperature		-10°C ~ +50°C	
Storage Ambient Humidity		Less than 90%RH (No condensation)	
Mounting Location		Indoors	
Mounting Direction		Upright	
Protection Rating		IP20 (IEC 60529)	
Environmental		Upright	
Vibration Resistance		Nothing	
Insulation Resistance		More than 1MΩ at 500VDC Between live part and non-current carrying metallic part	
Withstand Voltage		500VAC applied for 1min Between live part and non-current carrying metallic part without breaking insulation	
Mass (Tolerance ±10%)		780g	
Outer Dimensions		Refer to the Outer Dimension Drawing	
LED Tiers		5	
Display Color Variations		Signal Tower Mode: 9 Colors / Smart Mode: 21 Colors	
Sound Pressure Level		85dB or more	
Environmental		Maximum volume, Buzzer Sound No.1 measured from the front direction of the buzzer aperture at 1m	
Buzzer Sound (Typical Frequency)	No.1	2400Hz Continuous beep sound	
	No.2	2400Hz Rapid intermittent beep (0.05 sec. sound / 0.05 sec. silent)	
	No.3	2400Hz Long intermittent beep (1.5 sec. sound / 1.5 sec. silent)	
	No.4	2400Hz Fast intermittent beep (0.5 sec. sound / 0.5 sec. silent)	
	No.5	3600Hz Continuous beep Sound	
	No.6	3600Hz Rapid intermittent beep (0.05 sec. sound / 0.05 sec. silent)	
	No.7	3600Hz Long intermittent beep (1.5 sec. sound / 1.5 sec. silent)	
	No.8	3600Hz Fast intermittent beep (0.5 sec. sound / 0.5 sec. silent)	
	No.9	2400Hz & 3375Hz Multiplexed Beep (0.25 sec. / 0.25 sec.)	
	No.10	2400Hz & 3600Hz Multiplexed Beep (0.25 sec. / 0.25 sec.)	
	No.11	4000Hz & 4800Hz Multiplexed Beep (0.25 sec. / 0.25 sec.)	
Volume Control		The set up button is the fourth step (Factory Default: Maximum). [Maximum] -> [-5dB drop from maximum (standard)] -> [-10dB drop from maximum (standard)] -> [OFF] (-> Returns to [Maximum]) Switchable by Web setup tool	

※1 Environmental Condition : Lighting Yellow of all tiers, Sounding Buzzer sound No.1, Maximum volume

※2 Environmental Condition : Lighting Yellow of 1 tier, No sounding

No. LA6-5DSNWB-POE-W18A -1_3

PATLITE Corporation

SPECIFICATIONS

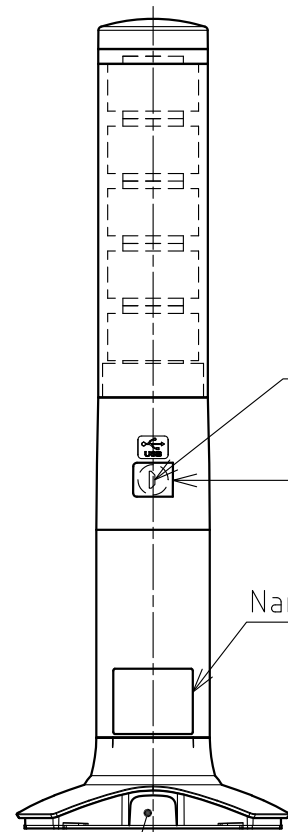
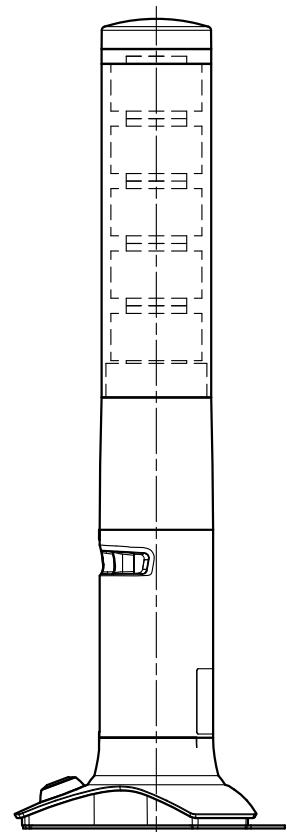
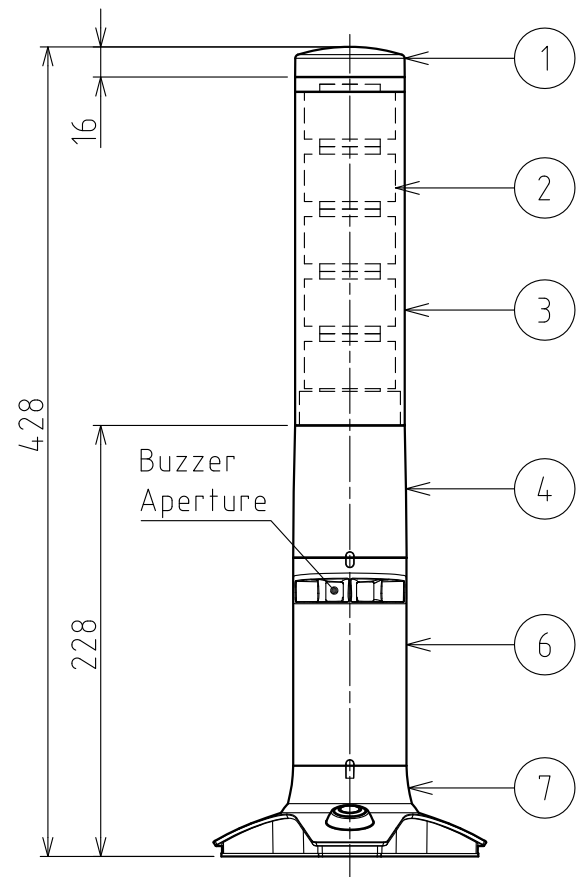
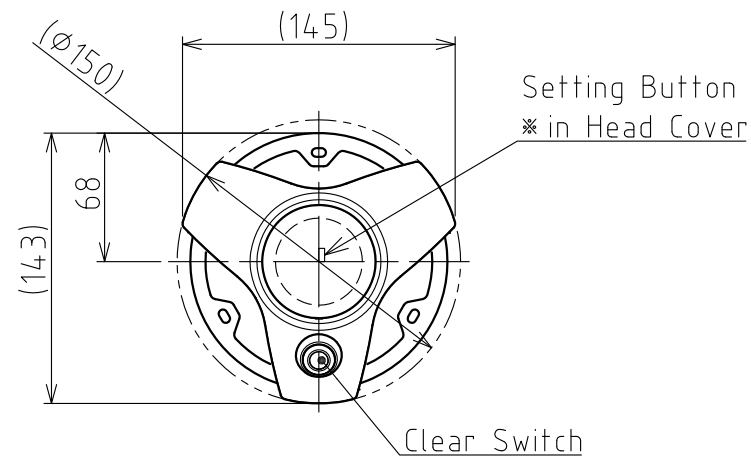
[General Specifications]

Model	LA6-5DSNWB-POE	
Luminous Intensity (typ) ※3	Red(1000mcd), Yellow(1700mcd), Green(2600mcd), Blue(1000mcd), White(1250mcd), Purple(800mcd), Pink(850mcd), Lemon yellow(2150mcd), Sky blue(2150mcd)	
Flashing Rate	30±2 Flashes Per Minute, 60±2 Flashes Per Minute, 120±2 Flashes Per Minute (Factory Default: 60 Flashes Per Minute) Switchable by Web setup tool	
I n t e r f a c e	Power/Contact Input	Screwless Terminal Block(Number of Contacts : 12) Wire Diameter : 0.2 ~ 1.5mm ² (Solid Wire) 、 AWG24 ~ 16 (Stranded Wire) Power : 2(DC24V) Contact Input : (External relay/NPN/PNP) : 8 Flashing/Pulse Enable : 1 COM : 1
	LAN	RJ-45 Connector
	PoE	Correspondence(IEEE802.3af Class 0 Conformity)
	Communication Method	Ethernet(IEEE802.3 Conformity)
	Physical Layer	10BASE-T/100BASE-TX(Auto-MDI/MDIX)
	Data Link Layer	CSMA/CD
	Network Layer	IP・ARP・ICMP
	Transport Layer	TCP・UDP
	Application Layer	HTTP・DHCP・Modbus/TCP・Socket(Correspond to PHN・PNS Comand)
	USB	USB micro-B Terminal USB2.0
Operation Part	Setting Button (Set in Head Cover) Clear Switch	
Indicator Light	1 (Green) : Built in Clear Switch ※Always ON when Power is input	
Various Settings	Switchable by Web setup tool	
Operational Method	Signal Wire Control / Command Control	
Accessory	Rubber Sheet	
Optional Parts	Wallmount Bracket(NH-WST2)	
Connectable LAN cable	Category 5e or more (Both Sraight Cable and Cross Cable can be used)	
Conformity Standards	RoHS Directive (EN 50581) EMC Directive (EN 61000-6-4, EN 61000-6-2, EN55032 ClassA, EN55024) FCC Part15 SubpartB Class A KC (KN 61000-6-4, KN 61000-6-2) UL 60950-1 ,CAN/CSA C22.2 No. UL60950-1-07 Recognized Component (File No.E480103)	
Remarks	CE Marking	

※3 Due to the characteristics of the LED elements, a variation in difference of the color tone and brightness of every product may occur.

No. LA6-5DSNWB-POE-W18A -2_3

PATLITE Corporation



Screw Hole (1 place)
for Bottom Plate Mounting

Screwless Terminal Block
Plug (Detachable)

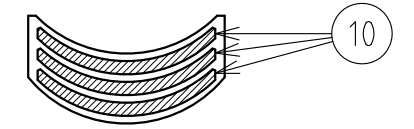
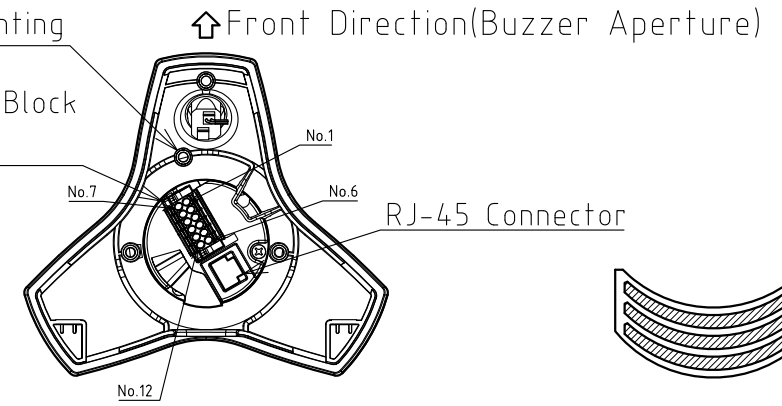


fig.1 Bottom Plate removed

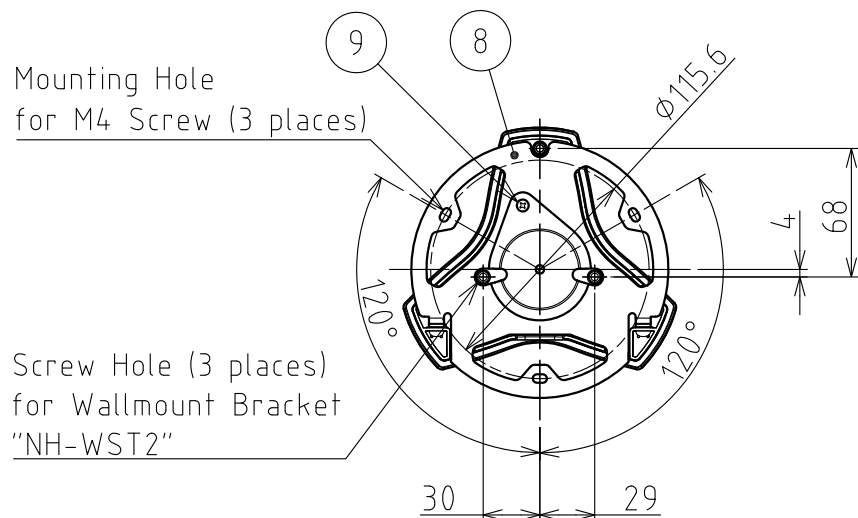
fig.2 Explanatory diagram for Accessory

[NOTE]

1.Body Color : Off-white

2.When using a Wallmount Bracket "NH-WST2", don't use Rubber Sheet.

Mounting Hole
for M4 Screw (3 places)



Screw Hole (3 places)
for Wallmount Bracket
"NH-WST2"

Chart.1 Terminal Block Connector Pin Arrangement

Pin.No.	Name
1	INPUT 1
2	INPUT 2
3	INPUT 3
4	INPUT 4
5	Power Wire
6	Power Wire(Signal Wire Side)
7	INPUT 5
8	INPUT 6
9	INPUT 7
10	Mode Change
11	Flashing/Pulse Enable Common
12	COM

10	Rubber Sheet	-	3	Polyurethane	Accessory
9	Screw of Mounting Bottom Plate	-	1	Steel	-
8	Bottom Plate	-	1	Steel	-
7	Stand Cover	-	1	ABS	-
6	Buzzer Case	-	1	ABS	-
5	USB Cover	-	1	ABS	-
4	Body	-	1	ABS	-
3	Outer Lens	-	1	PC	-
2	Light Guide Lens	-	5	PMMA	-
1	Head Cover	-	1	ABS	-
番号 No.	部品名 Part Name	品目コード Part No.	数量 Qty.	材料 & 寸法 & 処理 Material & Size & Finish	記事 Remarks

外観図面
Outer Dimension Drawing

株式会社 パトライト
PATLITE Corporation

LA6-5DSNWB-POE-W18A-3_3