

Drawing No.	Rev.	Page
LB6-20ILWCN-A18	A	1 / 4

<b>SPECIFICATIONS</b>	Drawn	T. Kikuchi 27. Apr. '23
	Checked	K. Onoda 28. Apr. '23
	Approved	D. Shigematsu 28. Apr. '23

[General Specifications]

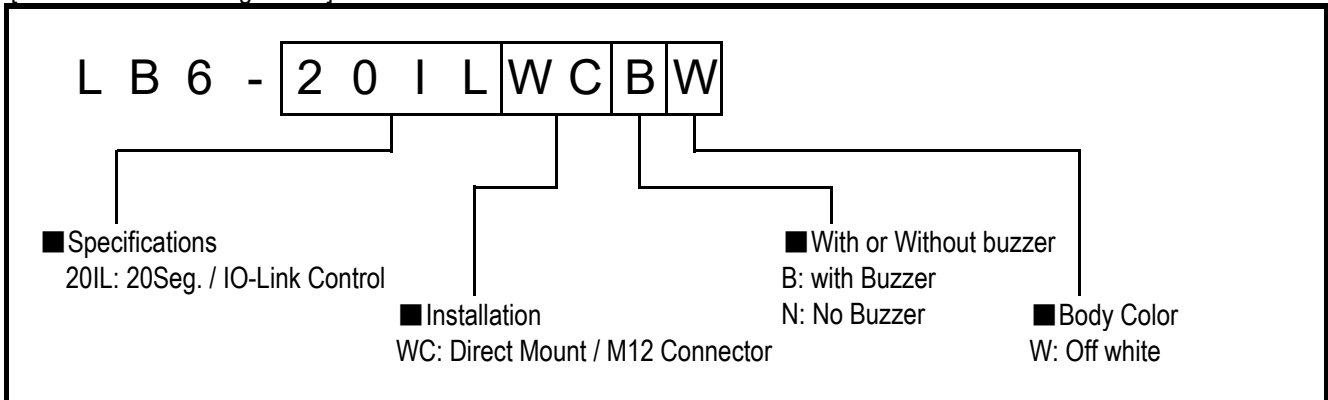
Product Name		Multi-color Signal Tower with IO-Link	
Model		LB6-20ILWCNW	LB6-20ILWCBW
Rated Voltage		24V DC	
Operating Voltage Range		18V - 30V DC	
Current Consumption	Std.	200mA	250mA
	Max.	250mA	300mA
	Condition	At rated voltage, with IO-Link communication. All LED segments continuously illuminate in white. Dimming: 100% (Only LB6-20ILWCBW) Buzzer Sound "No.2" Volume: 100%	
Inrush Current		30A / 0.1msec	
Operating Ambient Temperature		-20°C to +50°C	
Operating Ambient Humidity		Less than 90 % (No condensation)	
Storage Ambient Temperature		-30°C to +60°C	
Storage Ambient Humidity		Less than 90 % (No condensation)	
Mounting Location		Indoor	
Mounting Direction		Upright	
Protection Rating		IP65	
Environmental		Upright	
Insulation Resistance		More than 5MΩ at 500VDC between live part and non-current carrying metallic part	
Withstand Voltage		500VAC applied for 1min between live part and non-current carrying metallic part without breaking insulation	
Mass(Tolerance±10%)		0.54kg	0.59kg
Outer Dimensions		Refer to the Outer Dimensions	
Sound Pressure Level	Environmental Condition	Typ. 88dB	
		Buzzer Sound "No.5" Volume: 100% from the total circumference of the buzzer Unit at 1m.	
Buzzer Sound / Typical Frequency		No.1	OFF
		No.2	Continuous beep sound / 3,378Hz
		No.3	Rapid intermittent beep / 3,378Hz
		No.4	Rapid Hi-Lo / 2,016Hz & 3,012Hz
		No.5	Sweep sound / 1,000Hz - 4,032Hz
		No.6	Continuous beep sound / 3,378Hz 500ms ON / 500ms OFF
		No.7	Rapid intermittent beep / 3,378Hz 500ms ON / 500ms OFF
		No.8	Rapid Hi-Lo / 2,016Hz & 3,012Hz 500ms ON / 500ms OFF
		No.9	Sweep sound / 1,000Hz - 4,032Hz 500ms ON / 500ms OFF



Drawing No.	Rev.	Page
LB6-20ILWCN-A18	A	2 / 4

Lighting color	No.1	Red	No.8	(Lemon to Green Gradation)	No.15	(Blue to Purple Gradation)
	No.2	(Red to Amber Gradation)	No.9	Green	No.16	Purple
	No.3		No.10	(Green to Cyan Gradation)	No.17	(Purple to White Gradation)
	No.4	No.11	Cyan	No.18		
	No.5	Amber	No.12	(Cyan to Blue Gradation)	No.19	
	No.6	(Amber to Lemon Gradation)	No.13	Blue	No.20	
	No.7	Lemon	No.14	(Blue to Purple Gradation)	No.21	White
Lighting pattern	Continuous					
	Blinking		Flashing Rate: Typ. 30 / 90 / 120 Flashes Per Minute			
	Gradation blinking					
Flashing		On:Off = 1:10, Flashing Rate: Typ. 60 / 90 / 120 Flashes Per Minute				
Conformity Standards	UL 508, CSA-C22.2 No. 14					
	EN 61000-6-4, EN 61000-6-2, EN IEC 63000					
	FCC Part 15 SubpartB Class A					
	ICES-003 Class A					
Remarks	<ul style="list-style-type: none"> <li>• Due to the characteristics of the LED elements, there may be a slight variation in color tone and brightness between products.</li> <li>• UL Recognized Component (File No.E215660)</li> <li>• Conforms to the CE requirements.</li> <li>• Conforms to the UKCA requirements.</li> </ul>					

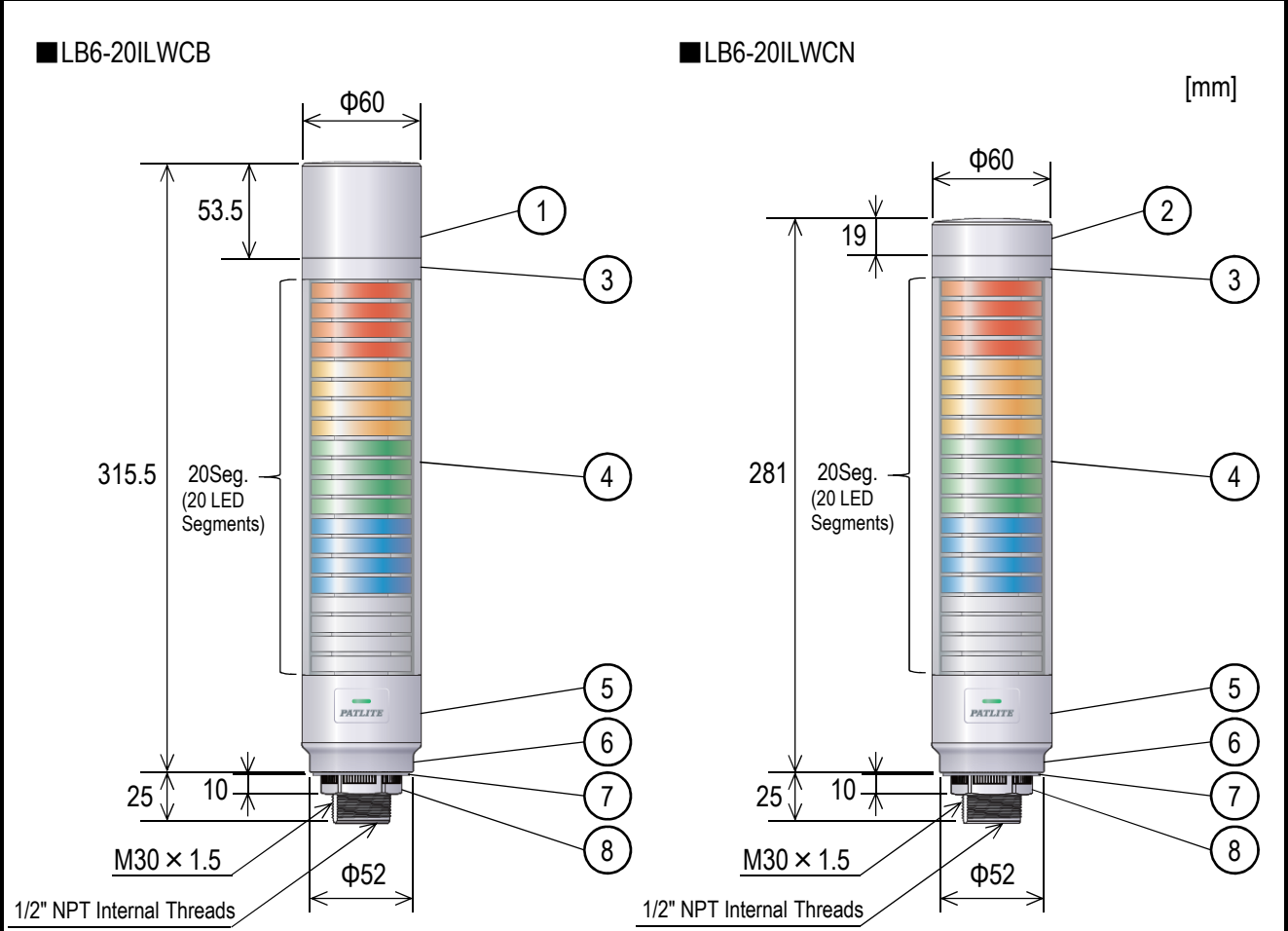
[Model Number Configuration]



[IO-Link Specifications]

Model		LB6-20ILWCNW	LB6-20ILWCBW
Function	LED Control	Operation Mode : Simple Mode / Level Mode / Animation Mode	
		Lighting Color : Total 21colors	
		Lighting Control : Total 10 patterns	
		Dimming : 0~100% (10% step)	
	Buzzer Control	Buzzer Style : Total 9 styles (Including "OFF")	
		Volume : 0 - 100% (10% step)	
Communication specification	IO-Link revision	1.1.3	
	Transmission rate	COM2	
	Minimum Cycle time	2.7ms	
	Process data length	PD out : 2byte PD in : 0byte	
Vendor ID		763d (0x2FB)	
Device ID		524290d (0x80002)	

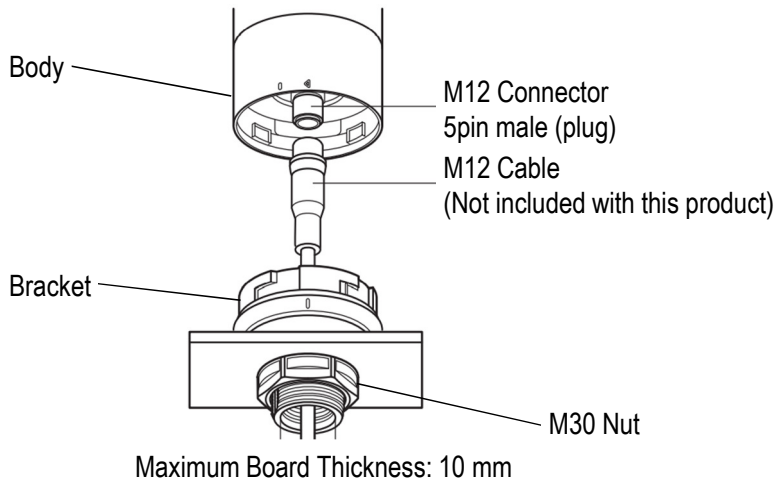
[Outer Dimensions]



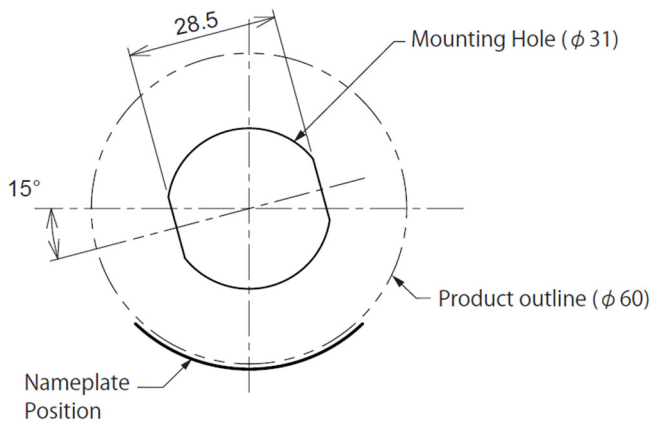
No.	Name	Material
1	Buzzer case	PC
2	Head cover	PC
3	Outer top	PC
4	Outer lens	PC
5	Body	PC
6	Bracket	PC
7	Waterproof sheet (t = 1)	Silicone Rubber
8	M30 Nut	PC

[Installation]

■ Mounting Diagram



■ Mounting Dimensional Drawing

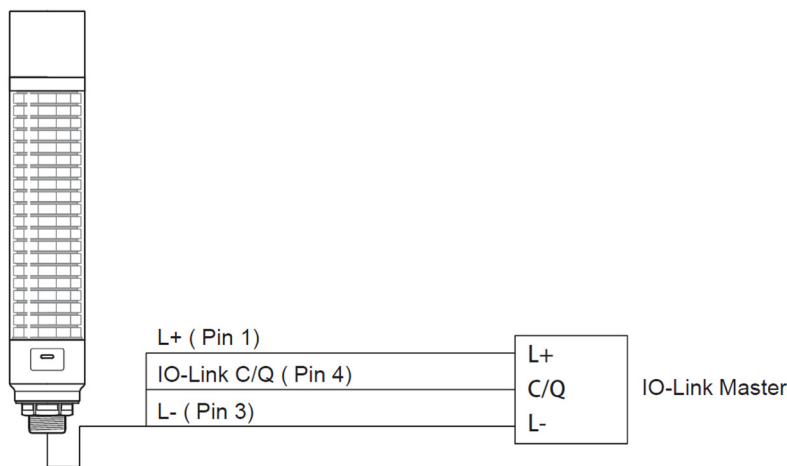


[mm]

Recommended tightening torque
4.5 N·m

[Wiring]

■ Wiring Example



■ M12 Connector Pin Configuration

5pin male (plug)

