

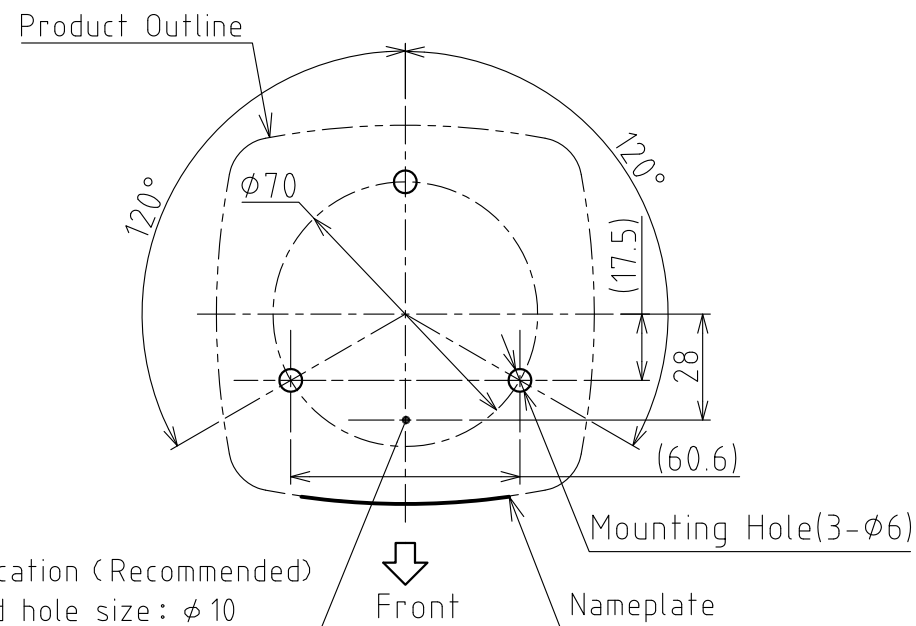
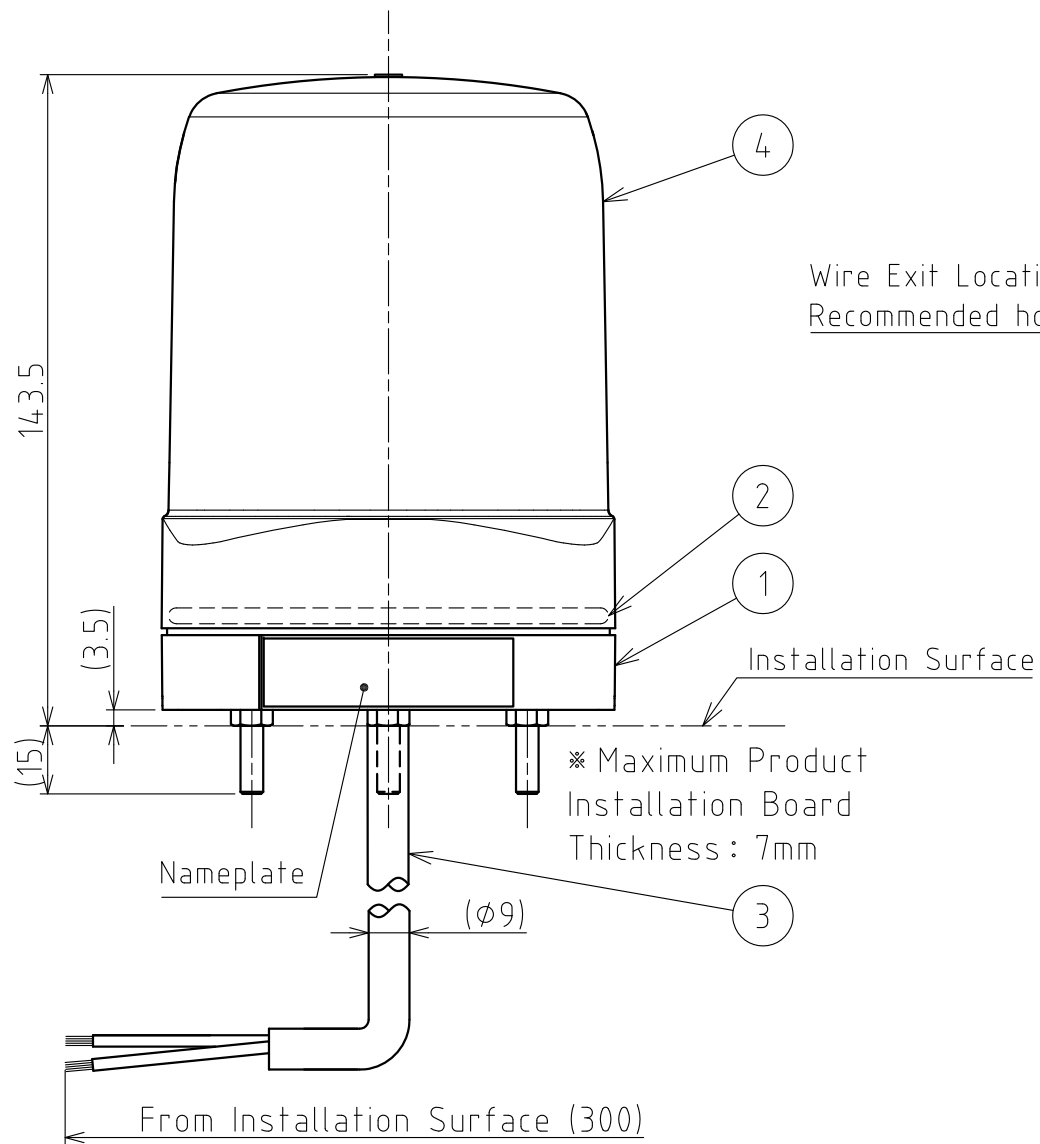
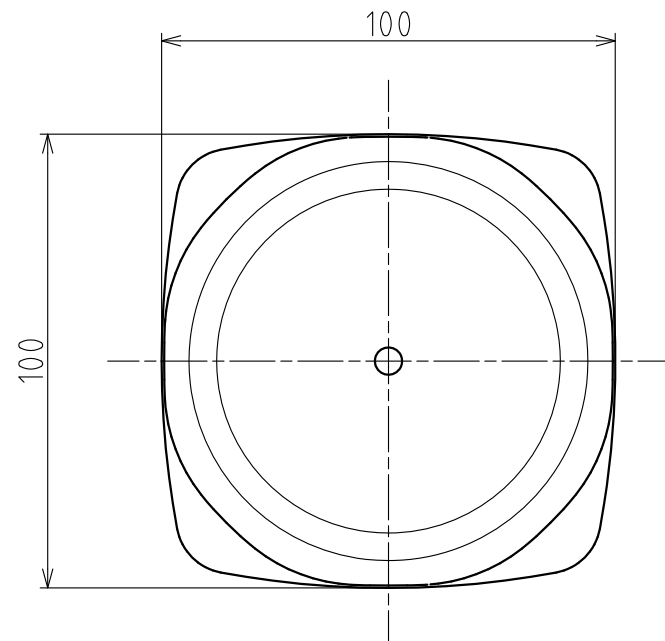
SPECIFICATIONS

[General Specifications]

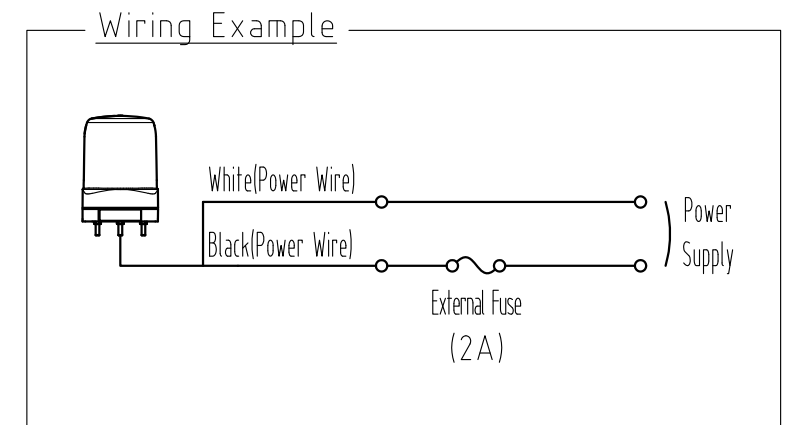
Model		LFH-M2
Rated Voltage		100V/120V/200V/230V AC (50/60Hz)
Operating Voltage Range		90V AC~250V AC
Rated Current Consumption	Typ.	0.10A (at 100V AC) 0.10A (at 120V AC) 0.06A (at 200V AC) 0.06A (at 230V AC)
	Max.	0.12A (at 100V AC) 0.12A (at 120V AC) 0.07A (at 200V AC) 0.07A (at 230V AC)
Rush Current		Approx.14A (Approx.2msec)
Rated Power Consumption	Typ.	5.7W
	Max.	6.8W
Operating Ambient		-20°C ~ +60°C
Operating Ambient Humidity		Less than 90% (No condensation)
Storage Ambient Temperature		-30°C ~ +70°C
Storage Ambient Humidity		Less than 90% (No condensation)
Mounting Location		Indoors and Outdoors
Mounting Direction		Upright ,Inverted and Sideways (In a wet environment, Upright only)
Protection Rating		IP66 (IEC 60529)
Environmental Condition		Upright Mounting
Vibration Resistance		20m/s ²
Insulation Resistance		More than 1MΩ at 500VDC between the terminals and the chassis
Withstand Voltage		1500 VAC applied for 1min between terminals and chassis without breaking insulation
Flashing Rate		110±10 Flashes Per Minute (Triple Flash Pattern)
Luminous Intensity		Red:112cd or more Amber: 117cd or more Green: 240cd or more Blue: 52cd or more White: 257cd or more
Mass (Tolerance ±10%)		610g
Outer Dimensions		Refer to the Outer Dimension Drawing
Conformity Standards		UL 1638, CAN/ULC-S526-M87 RoHS Directive (EN 50581) EMC Directive (EN 61000-6-4, EN 61000-6-2) Low Voltage Directive (EN 60598-1, EN 60598-2-1, EN 62031, EN61347-1, EN 61347-2-13, EN 62471) FCC Part15 SubpartB Class A
Remarks		UL Listed (File No.S24210) This product conforms to EN standard and shows the CE Marking. Accessories: Spring Washer (x3), Washer (x3), Nut (x3), Instruction Manual

No. LFH-M2-W18C-1_2

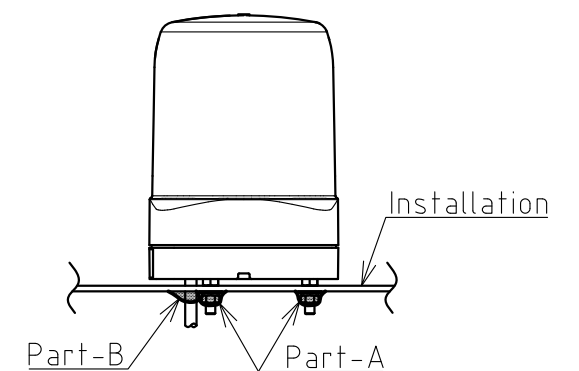
PATLITE Corporation



Installation Dimensions [1:2]



※ To mount the product in the inverted position, seal the Mounting bolts(Part-A) and Wire Exit Hole (Part-B) to insulate from water intrusion.



Sealing Instruction Example

Dimensions

Wire Exit Location (Recommended)
Recommended hole size: φ10

4	Glove	-	1	PC resin	Red/Amber/Green /Blue/Clear
3	Power Supply Wire	-	1	STO AWG18×2c	
2	O-ring	-	1	Silicon	Gray
1	Body	-	1	ABS Resin	Charcoal gray
番号 No.	部品名 Part Name	品目コード Part No.	数量 Qty.	材料 & 寸法 & 処理 Material & Size & Finish	記事 Remarks

外観図面
Outer Dimension Drawing

株式会社 パトライト
PATLITE Corporation

LFH-M2-W18C-2_2