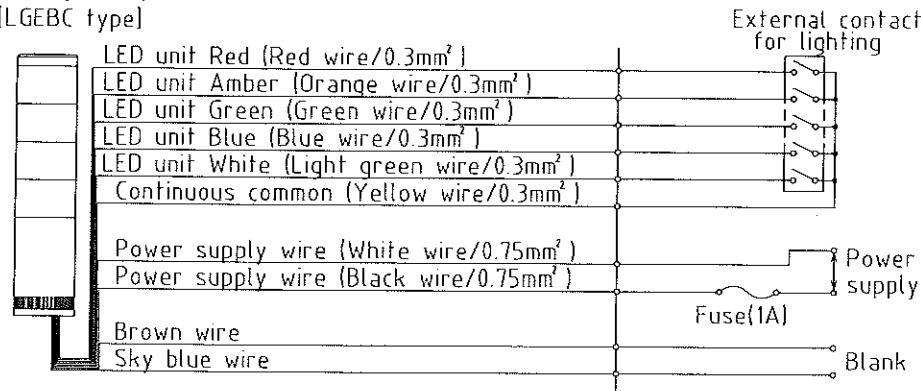
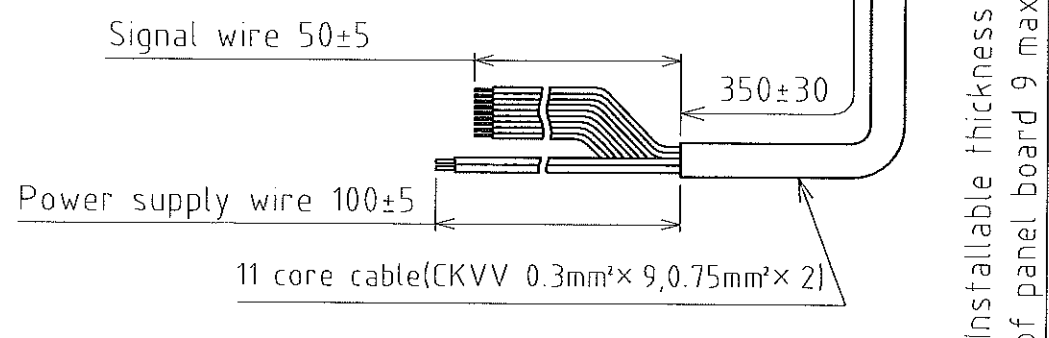
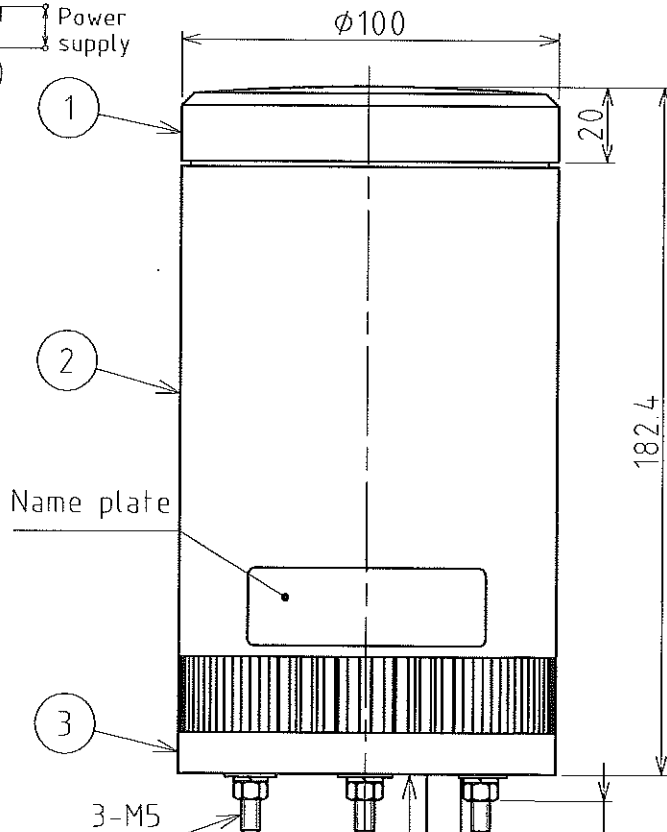
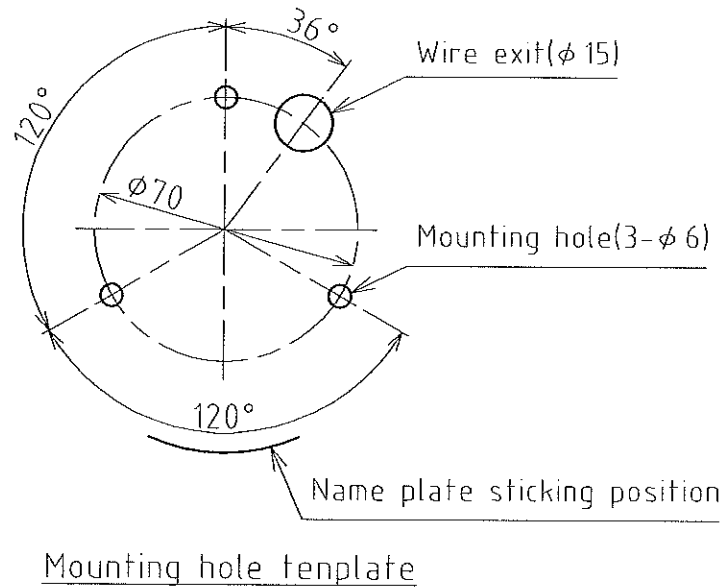
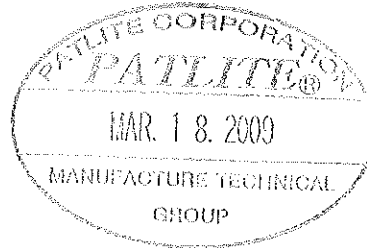
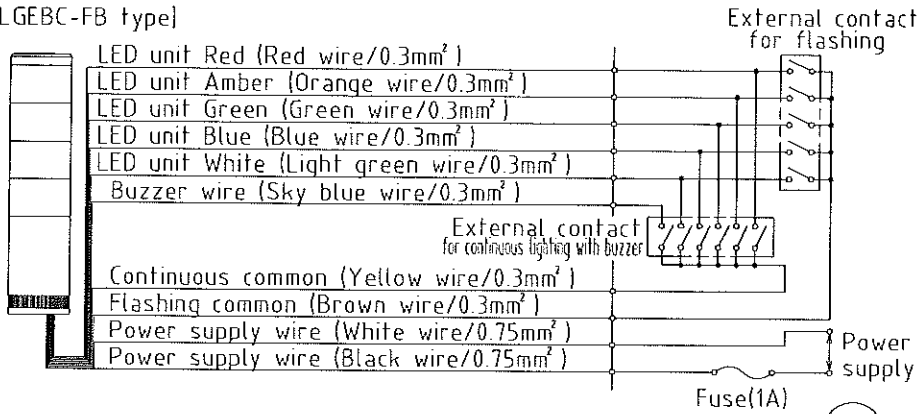


[Wiring example]
[LGEBC type]



[LGEBC-FB type]



指定公差 General tolerance	角度公差 ±[°]			寸法公差 ±[mm]					符号 Sym.	年月日 Date	訂正履歴 Revisions	記印 Sgn.	検印 Chk.	承認 App.	
	短辺長さ Length of short side	長辺長さ Length of long side	半径 Radius	精 Fine	中 Medium	粗 Coarse	超粗 Super coarse	超超粗 Super super coarse							
△	10	50	100	0.05	0.1	0.2	0.4	0.6	△						
f	1	0.5	0.3	0.1	0.1	0.3	0.5	0.7	△						
v	3	1.5	1	0.5	0.3	0.5	1	1.2	△						

[Model No. Configuration]

#LGEBC-120FB FB001
 Rated voltage 24:24V AC, 120:120V AC
 Light method FB:Continuous lighting or flashing and buzzer, None:Continuous lighting
 TOKUPO No.

- [Note]
1. Make sure end of unused wires are insulated by tape or any other suitable tape.
 2. As for the 24V DC specification, the drive with the open collector transistor is possible.
 3. Do not make external contact that can lighting and flashing turn on at the same time. Otherwise all the LED units may be turn on. To avoid this, lighting and flashing must be switched from one to another.
 4. You need two independent common wire for continuous and flashing when you connect the PLC-unit.
 5. #LGEBC-24(FB) type conform to the CE requirements and CE Marking is indicated.

[Specifications]

Model	#LGEBC-24(FB) FB001	#LGEBC-120(FB) FB001
Rated voltage	24V AC/DC (50/60Hz)	120V AC (50/60Hz)
Operating voltage	Rated voltage±10%	
Current consumption	2.0W a LED unit assembly 1 light Buzzer:0.5W	2.5W a LED unit assembly 1 light Buzzer:0.5W(Stand by:2.7W)
Operating temperature range	-30°C~+60°C	
Mounting direction	Upright only	
Protection rating	IP54	
Vibration proof	44.1m/s ²	
Insulation resistance	To be measured with an insulation measuring device of 500V DC between the terminals and the chassis. MORE THEN 1MΩ	
Withstand voltage	AC500V	AC1000V
Flashing cycle(FB type only)	60 flashes per minute	
Buzzer (FB type only)	85dB(at 1m) < Not possible to adjust >	
Mass	0.2kg	0.8kg

3	Bottom board	1	ABS	Black	
2	Body	1	ABS	Light gray	
1	Head cover	1	ABS	Light gray	
番号 No.	部品名 Part Name	品目コード Part No.	数量 Qty.	材料 & 寸法 & 処理 Material & Size & Finish	記事 Remarks

設計 Dgn by	製図 Orn by	検図 Chk by	承認 App by	図名 Name	機種名 Model	特注No. S.P.No.
M.Yoshida	T.Okamoto	M.Yoshida	W.Nakao	Specifications	#LGEBC-120FB	FB001
8.Sep.'97	17.Mar.'09	17.Mar.'09	17.Mar.'09		品目コード Part No.	
三角法 3rd Angle P.	単位 Unit mm	尺数 Scale 1:2	株式会社 PATLITE Corporation	図番 Drawing No.	LGEBC-FB001-A18A	

- 発行先 部数
- 製造
- 製造技術
- 購買・生産
- 部品管理
- 品質管理
- 海外生産
- 配送
- 技術
- ソフト
- 営業拠点
- 営業企画
- CS室
- 生技
- 合計