

S P E C I F I C A T I O N S

Model	4Lights	LGE-402(FB)	LGE-410(FB)	LGE-420(FB)	
	3Lights	LGE-302(FB)	LGE-310(FB)	LGE-320(FB)	
	2Lights	LGE-202(FB)	LGE-210(FB)	LGE-220(FB)	
	1Light	LGE-102(FB)	LGE-110(FB)	LGE-120(FB)	
Rated voltage		24V AC/DC	100V AC (50/60Hz)	220V AC (50/60Hz)	
Operating voltage		Rated voltage \pm 10%			
Power Consumption		LED UNIT	2.0W (per 1light)	LED UNIT	2.5W (per 1light)
		Buzzer	0.5W	Buzzer	0.5W
		Body	-	Body	2.7W
Signal line current		90mA (Per 1light)			
		Buzzer : 40mA (Rush current : 250mA)			
Operating temperature range		-30°C ~ +60°C			
Mounting place		Upright only			
Water proof		IP54			
Vibration proof		44.1 m/s ² (30Hz)			
Insulation resistance		<ul style="list-style-type: none"> • To be measured with an insulation measuring device of 500VDC between the terminals and the chassis. <p style="text-align: center;">M O R E T H A N 1 M Ω</p>			
Voltage proof		<ul style="list-style-type: none"> • 500VAC (24VAC/DC type), 1000VAC (100VAC type), 1500VAC (220VAC type) being applied between the terminals and the chassis for 1 minute. <p style="text-align: center;">N O T B R E A K I N G I N S U L A T I O N</p>			
Flashing cycle		60 Flashes Per Minute (FB type only)			
Buzzer		85dB (at 1m) (FB type)			
Mass	1Light	0.4kg	1.0kg		
	2Lights	0.6kg	1.2kg		
	3Lights	0.8kg	1.4kg		
	4Lights	0.9kg	1.5kg		
No. LGE-. -A18A-1/2					
PATLITE Corporation		OCT. 30.2007	App. by	Chk. by	Drn. by
		R&D DEPARTMENT	<i>T. Mekoichi</i>	<i>T. Kawashima</i>	<i>Y. Nagayama</i>
		21. Jan. '00	21. Jan. '00	20. Jan. '00	

Model No. Configuration

LGE - □□□□□ - □□□□□

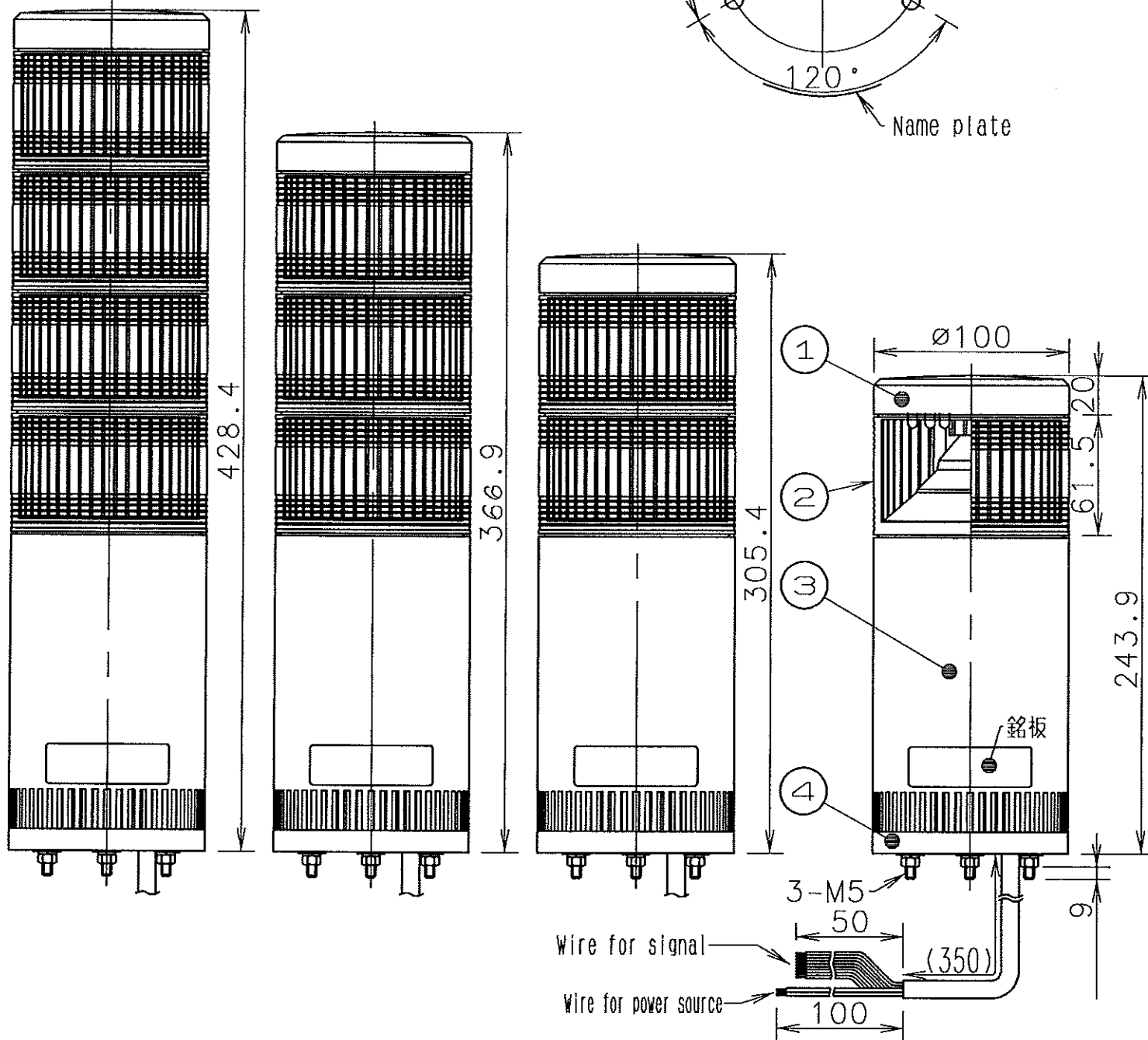
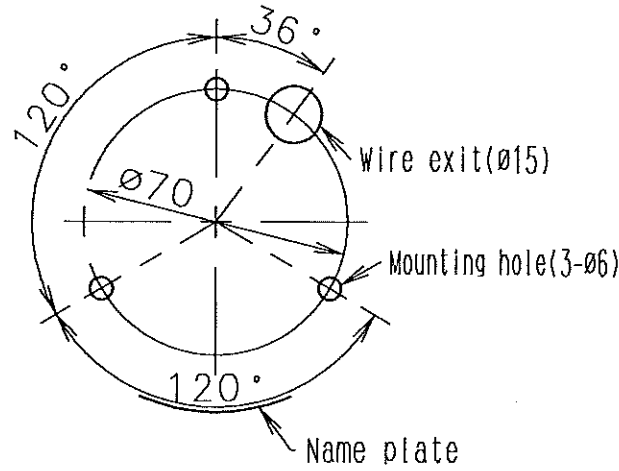
[Light style]
1~4 Light style

[Rated voltage]
02:24V AC/DC
10:100V AC
20:220V AC

[Light method & buzzer]
FB:Continuous lighting
or Flashing with buzzer
Non:Continuous lighting

[Light color]
R:Red
Y:Yellow
G:Green
B:Blue
C:White

Mounting hole template(1/2)

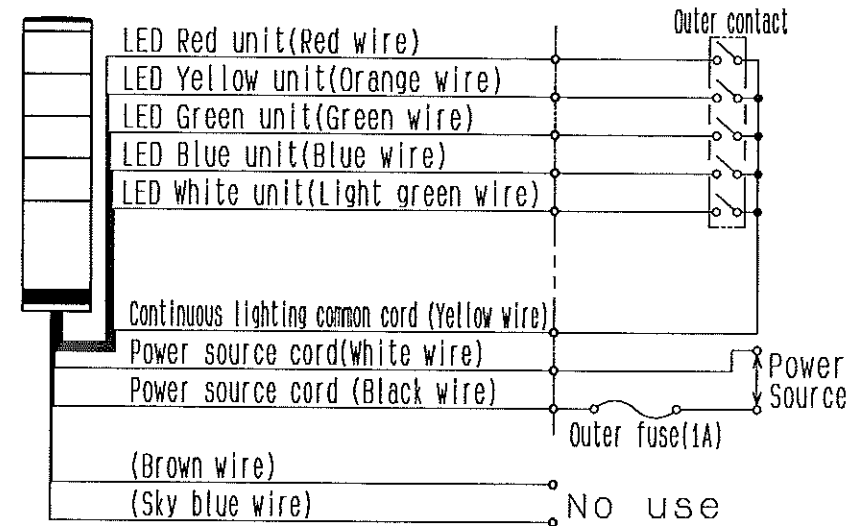


Dimensions

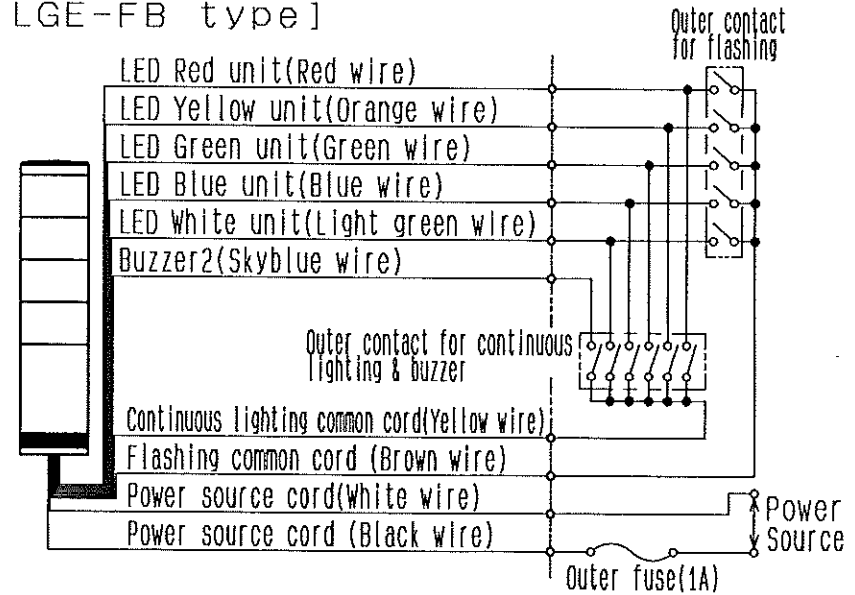
指定外公差	角度公差±[°]	寸法公差±[mm]	符号	年月日	訂正	店	配印	換印
				DATE	REVISIONS		SGN	CHK
短辺	—	—	100	△				
長辺	10	50	100	△				
精	1	0.50	30.1	△				
粗	3	1.5	10.5	△				
			6	△				
			30	△				
			120	△				
			300	△				
			1000	△				
			0.05	△				
			0.1	△				
			0.2	△				
			0.4	△				
			0.6	△				
			0.1	△				
			0.3	△				
			0.5	△				
			0.7	△				
			1	△				
			0.3	△				
			0.5	△				
			1	△				
			1.2	△				
			2	△				

Wiring diagram

[LGE type]



[LGE-FB type]



4	Bottom Plate	1	ABS	Light gray
3	Body	1	ABS	Light gray
2	LED Unit	1~5	LED Color:Red, Yellow, Green, Blue, White Lens:PC/Reflector:ABS/Plate:PBT	
1	Head Cover	1	ABS	Light gray
番号	部品名	部品番号	数量	材料&寸法
NO.	PART NAME	PART NO.	QTY.	MATERIAL & SIZE
設計	製図	検図	承認	図名
DGN.BY	DRN.BY	CHK.BY	APP.BY	NAME
A. Ikeda	Y. Nagayama	T. Kawashima	T. Mekochi	SPECIFICATIONS
11. Aug. '95	20. Jan. '00	21. Jan. '00	21. Jan. '00	DIMENSIONS
三角法	単位	尺度	SCALE	株式会社
3rd ANGLE P.	mm	3:1		パトライト
				PATLITE Corporation
				図番
				DRAWING NO.
				LGE-. -A18A-2/2
				備考
				REMARKS
				部品コード
				PART NO.
				機種
				MODEL
				LGE(-FB)
				図番
				No. S. P. No.

配布先	
三田製造	
八尾製造	
製枝	
購買	
三田品管	
八尾品管	
技術	
合計	