

# SPECIFICATIONS

## 1. General Specifications

Model		LR□-BW+B0960		
Operating Ambient Temperature		-20°C ~ +50°C		
Operating Ambient Humidity		Less than 90% RH (No Condensation)		
Mass (Tolerance ±10%)	LR5	0.05kg		
	LR6	0.06kg		
Buzzer Sound /Typical Frequency		Buzzer Input 1	Buzzer Input 2	Buzzer Input 1+2
	No.1	Rapid intermittent beep 1 3378Hz	Rapid intermittent beep 2 3378Hz	Rapid intermittent beep 1 3378Hz
	No.2	Continuous beep sound 3378Hz	Rapid intermittent beep 1 3378Hz	Rapid Hi-Lo 2016Hz&3012Hz
	No.3	Rapid Hi-Lo 2016Hz&3012Hz	Rapid intermittent beep 1 3378Hz	Sweep sound 1000Hz-4032Hz
	No.4	Sweep sound 1000Hz-4032Hz	Rapid intermittent beep 1 3378Hz	Rapid intermittent beep 2 3378Hz
	Setting	Depending on DIP Switch Settings Refer to "5.Buzzer Pattern Set-up"		
Sound Pressure Level	LR5	Typ.85dB (※Typ.80dB)	Sound Reduction Approx. -10dB Depending on DIP Switch Settings Refer to "4.Buzzer Pattern Set-up" ※When LR5-01 (12VDC Type) is attached.	
	LR6	Typ.88dB		
	Environmental Condition	Buzzer sound No.4 was measured from the total circumference of the buzzer Unit at 1m		
Outer Dimension		Refer to the 3.Outer Dimension		
Conformity Standards		UL 508, CSA-C22.2 No. 14 EMC Directive (EN 61000-6-4, EN 61000-6-2) RoHS Directive (EN 50581) FCC Part 15 Subpart B Class A UL Recognized Component (File No.E215660)		

## 2. Model

### 2.1.1 Model Number Configuration

	Model	Size		Buzzer Unit	Body Color		Custom Order Number
Buzzer Unit	<b>LR</b>	↓	-	<b>B</b>	<b>W</b>	+	<b>B0960</b>

Size	
5	φ 50
6	φ 60

Body Color  
W | Off-white



LR-B-B960-A18A-1\_5

<b>PATLITE Corporation</b>	Approved	Checked	Drawn
	Y.Mori 24.02.17	 24.02.17	Y.Mori 24.Oct.'17

2.1.2 Model Number Example

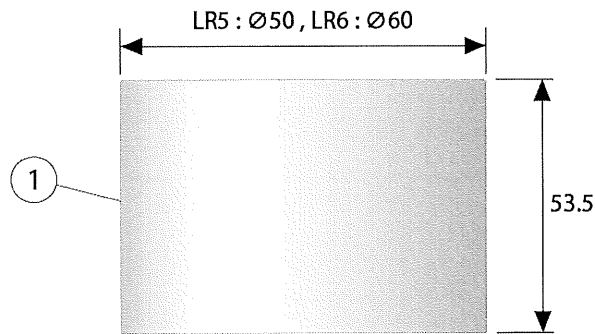
Buzzer Unit	LR5-BW+B0960 ● $\phi$ 50 ● Buzzer Unit ● Off-white
-------------	---

2.2 UL Registered Model

Buzzer Unit	LR5-B,LR6-B
-------------	-------------

3.Outer Dimensions

(unit : mm)

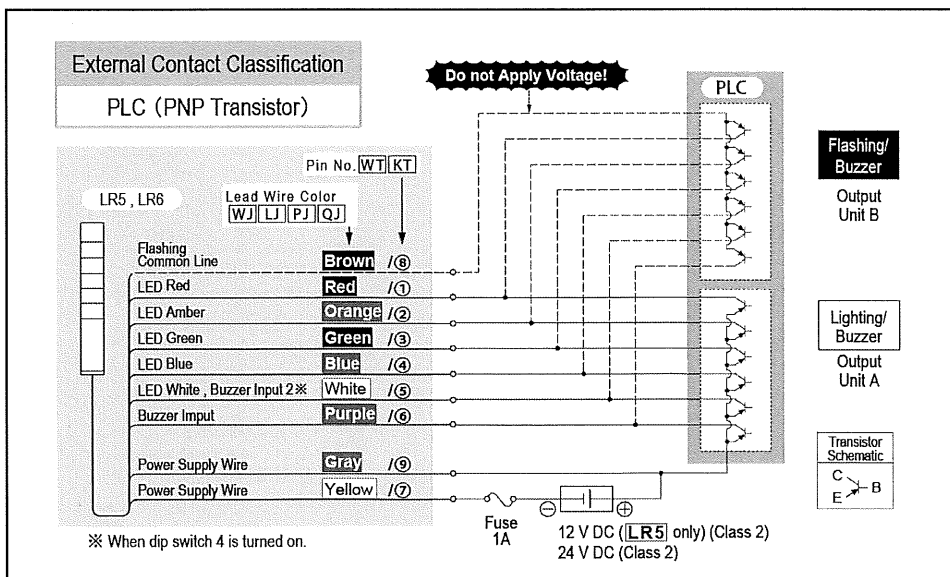
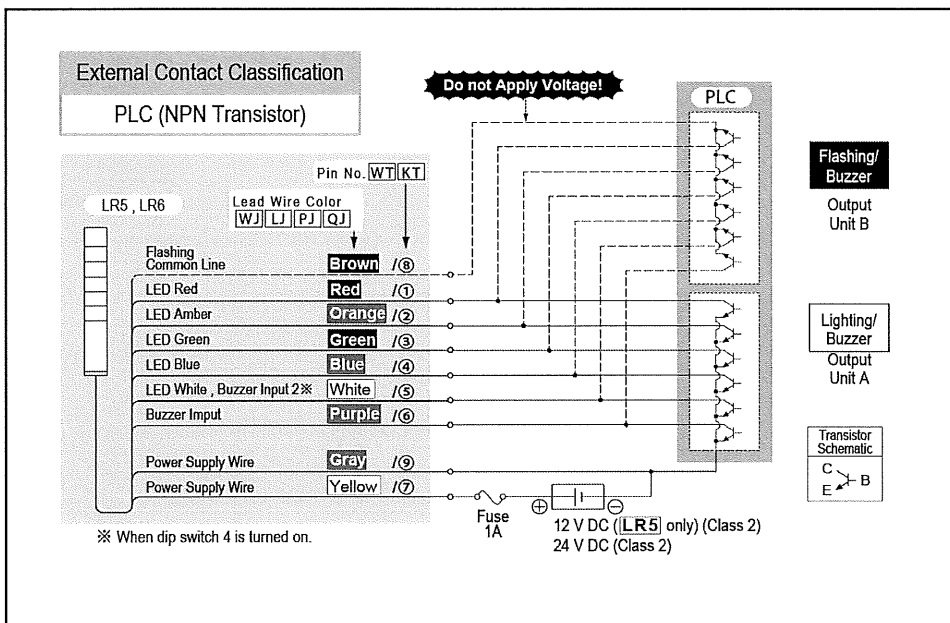
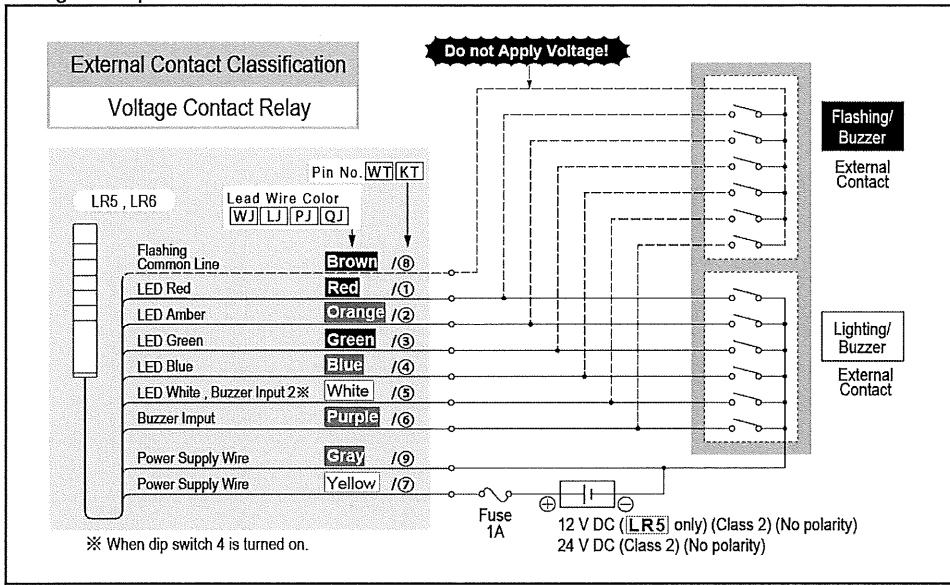


No.	Name	Material	UL Flammability
1	Buzzer Case	PC	V-2

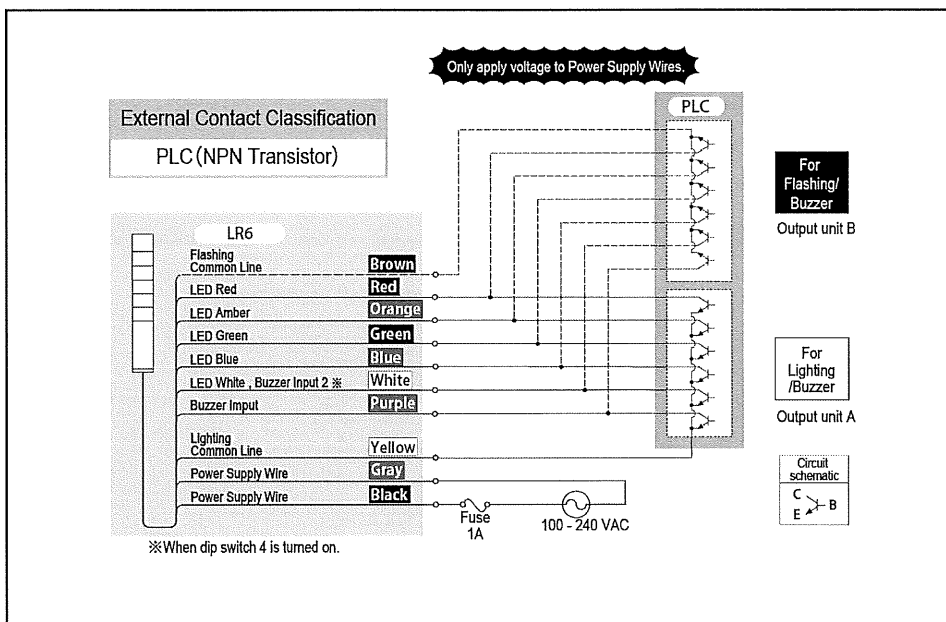
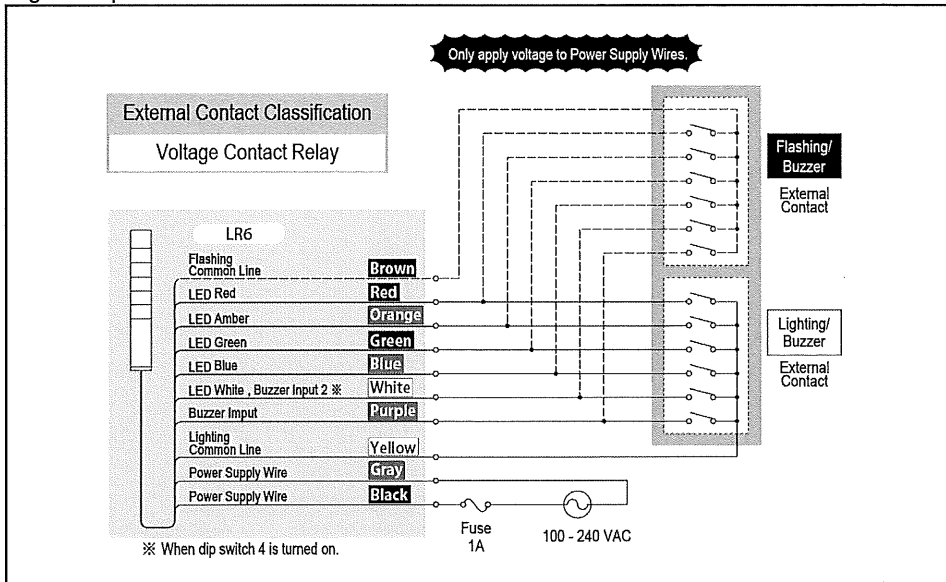


# 4. Wiring Diagram

## 4.1 【LR-01/02】 Wiring Example

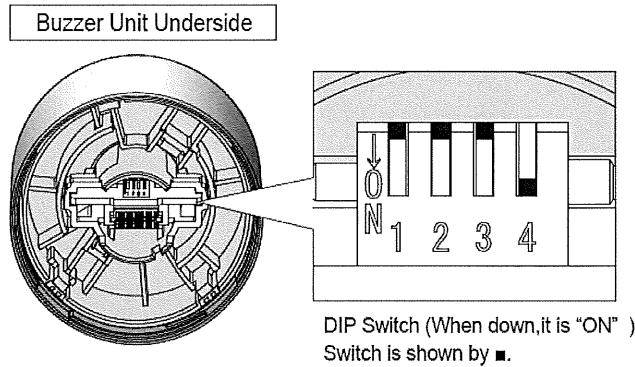


## 4.2 【LR-M2】 Wiring Example



## 5. Buzzer Pattern Set-up

Set up the preferred pattern and sound reduction, using the DIP Switch after removing the buzzer unit.



### ■ Setup Table

Buzzer Sound	DIP Switch		DIP Switch 3	Volume	DIP Switch 4	Buzzer Input 2
	1	2				
No.1	OFF	OFF	OFF	Normal	OFF	OFF
No.2	ON	OFF	ON	Sound Reduction	ON	ON
No.3	OFF	ON	OFF		OFF	
No.4	ON	ON	ON		ON	

※When DIP Switch 4 is turned on, the signal wire white or Pin No.5 function as buzzer input 2.

※When the White LED is incorporated into the Signal Tower, When using "Buzzer 2", the White LED will also light up.

※Only the dip switch 4 is set to "ON" at all time after factory shipments.

