

SPECIFICATIONS

1.General Specifications

Model		LR□-□M2□□□W	
Rated Voltage		100-240V AC (50/60Hz)	
Operating Voltage Range		90-250V AC (50/60Hz)	
Signal Wire Current (Per Unit)	Typ.	LED Unit : 40mA Buzzer Unit : 40mA (※)	
	Max.	LED Unit : 45mA Buzzer Unit : 300mA (※)	
Inrush Current	Power Supply Wire	at 25°C : 25A/ Less than 2ms (Cold-start) at 50°C : 50A/ Less than 2ms (Cold-start)	
	Signal Wire	none	
Rated Power Consumption (Per Unit)	Typ.	LED Unit : 1.5W Buzzer Unit : 1.5W (※)	
	Max.	LED Unit : 1.8W Buzzer Unit : 1.8W (※)	
Standby Power Consumption		LED Unit : none	
		Buzzer Unit : 0.2W	
		Body Unit : 0.2W	
Operating Ambient Temperature		-20°C ~ +50°C	
Operating Ambient Humidity		Less than 90% RH (No Condensation)	
Storage Ambient Temperature		-30°C ~ +60°C	
Storage Ambient Humidity		Less than 90% RH (No Condensation)	
Mounting Location		Indoor Only	
Mounting Direction		Upright	
Protection Rating		IP65(IEC 60529) / NEMA TYPE 4X,13	
Environmental Condition		Upright	
Insulation Resistance		More than 1MΩ at 500VDC Between live part and non-current carrying metallic part	
Withstand Voltage		1500VAC applied for 1min Between live part and non-current carrying metallic part without breaking insulation	
Flashing Rate		60±2 Flashes Per Minute	
Buzzer Sound /Typical Frequency	No.1	Rapid intermittent beep / 3378Hz	
	No.2	Continuous beep sound / 3378Hz	
	No.3	Rapid Hi-Lo / 2016Hz&3012Hz	
	No.4	Sweep sound / 1000Hz-4032Hz	
Setting		Depending on DIP Switch Settings Refer to the 6.Buzzer Pattern Set-up	
Outer Dimensions		Refer to the 3.Outer Dimensions	
Conformity Standards		UL 508, CSA-C22.2 No. 14 EMC Directive (EN 61000-6-4, EN 61000-6-2) RoHS Directive (EN 50581) FCC Part 15 Subpart B Class A KC (KN 61000-6-4, KN 61000-6-2) Low Voltage Directive(IEC/EN60947-5-1,EN62471)	
Remarks		(※)Environmental Condition : Buzzer sound No.2 Continuous beep sound Due to the characteristics of the LED elements, a variation in difference of the color tone and brightness of every product may occur	

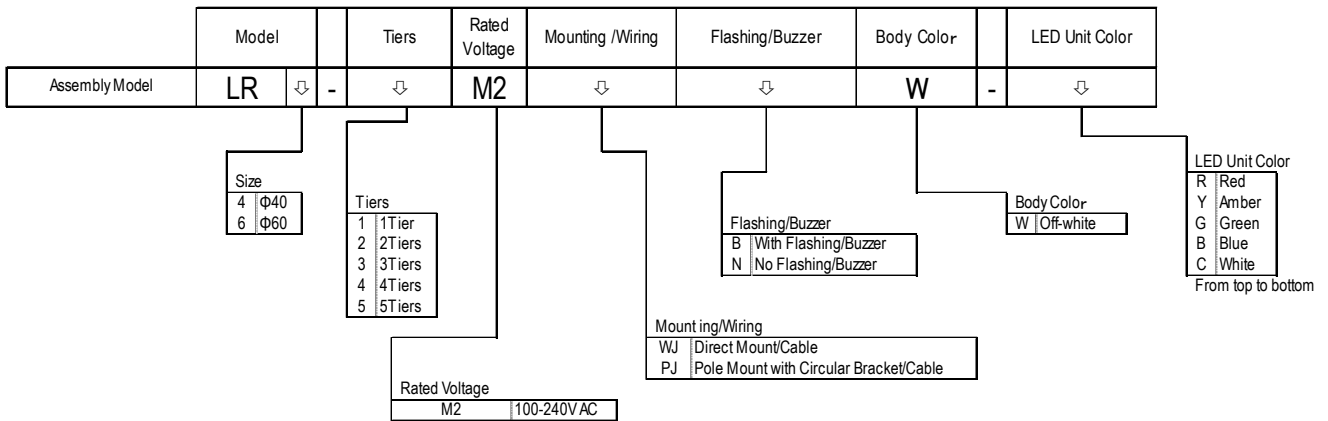
LR-5M2-W18B-1_8

PATLITE Corporation

Mass (Tolerance ±10%)	LR4	WJ	(LED Unit) + [Buzzer Unit]	
		PJ	0.25kg + (0.035kg)×Tires + [0.035kg]	
	LR6	WJ	0.44kg + (0.035kg)×Tires + [0.035kg]	
		PJ	0.32kg + (0.06kg)×Tires + [0.06kg]	
Sound Pressure Level	LR4	Typ.85dB	Sound Reduction Approx. -10dB Depending on DIP Switch Settings Refer to the 6.Buzzer Pattern Set-up	
	LR6	Typ.88dB		
Environmental Condition		Buzzer sound No.4 was measured from the total circumference of the Buzzer Unit at 1m		

2. Model

2.1.1 Model Number Configuration



2.1.2 Model Number Example

Assembly Model	LR4-5M2PJBW-RYGB ● φ 40 ● LED Unit 5Tiers ● 100-240V AC ● Pole Mount with Circular Bracket/Cable ● With Flashing/Buzzer ● Off-white ● (From top to bottom) Red • Amber • Green • Blue • White
Unit Model (Body Unit)	LR6-M2WJNW ● φ 60 ● 100-240V AC ● Direct Mount/Cable ● No Flashing/Buzzer ● Off-white

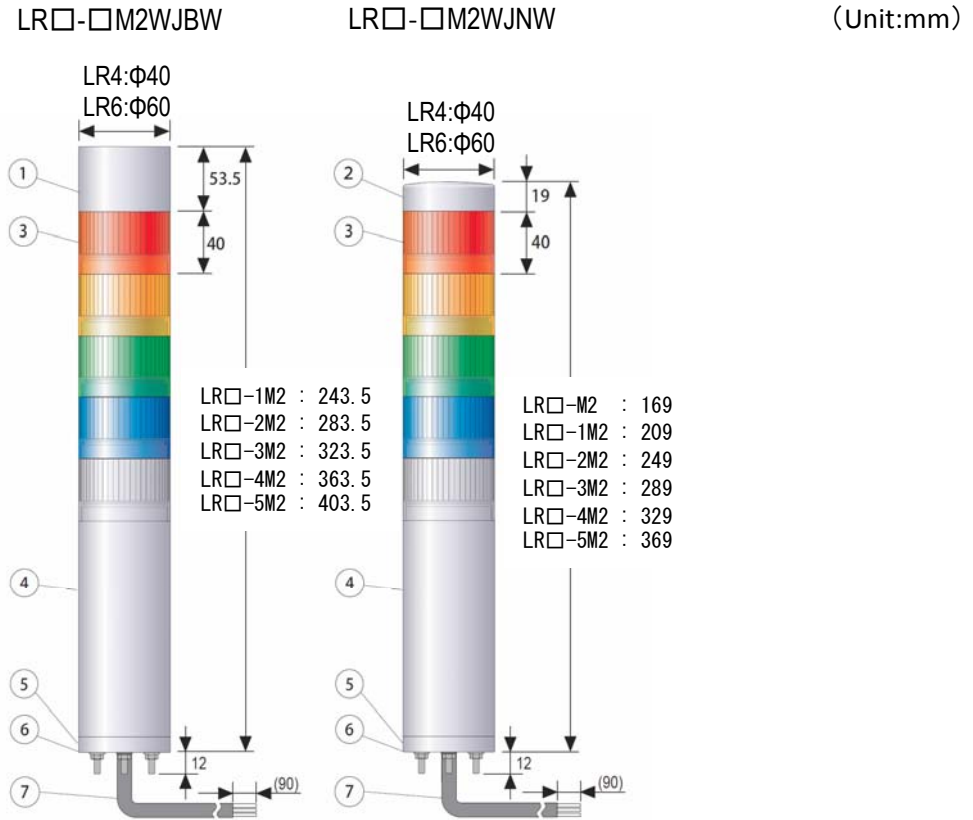
2.2. UL Registered Model

LR4	LR4_ M2WJBW , LR4_ M2WJNW , LR4_ M2PJBW , LR4_ M2PJNW
LR6	LR6_ M2WJBW , LR6_ M2WJNW , LR6_ M2PJBW , LR6_ M2PJNW

3.Outer Dimensions



3.1 LR□-□M2WJ□W

■ **WJ** Direct Mount with Cable Type



- Maximum Board Thickness : 7
- Cable : UL2464 (φ7.5)
- Signal Wire : AWG24
- Power Supply Wire : AWG18
- Cable Length : (1300)

Number	Name	Material	UL Flammability
1	Buzzer Case	PC	V-2
2	Head Cover	PC	V-2
3	Globe	PC	V-2
4	Body	PC	V-1
5	Direct Mount Bracket	PC	V-1
6	Waterproof Packing	Silicone Rubber	-
7	Cable	PVC	VW-1

Accessory	
<p>LR4 - WJ</p> <p>Hexagon Nut with Flange (M3)</p>  <p>3pcs.</p>	<p>LR6 - WJ</p> <p>Hexagon Nut with Flange (M4)</p>  <p>3pcs.</p>

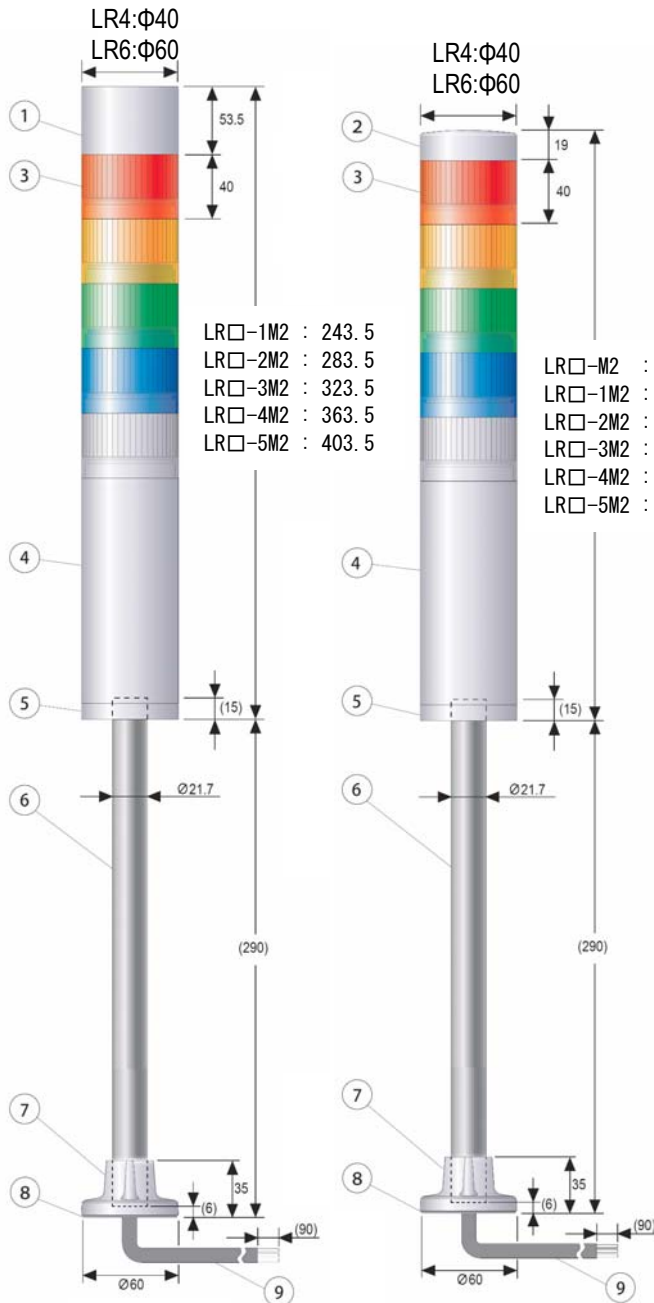
3.2 LR□-□M2PJ□W

■ **PJ** Circular Bracket and Pole Mount with Cable Type

LR□-□M2PJBW

LR□-□M2PJNW

(Unit:mm)




Number	Name	Material	UL Flammability
1	Buzzer Case	PC	V-2
2	Head Cover	PC	V-2
3	Globe	PC	V-2
4	Body	PC	V-1
5	Pole Bracket	PC	V-1
6	Pole	AL	-
7	Circular Bracket	PC	5VA
8	Waterproof Packing	Silicone Rubber	-
9	Cable	PVC	WV-1

Accessory


LR4-6 - PJ

Cross Recessed Pan Head Screw (M4x20)



3pcs.

Hexagon Nut with Flange (M4)

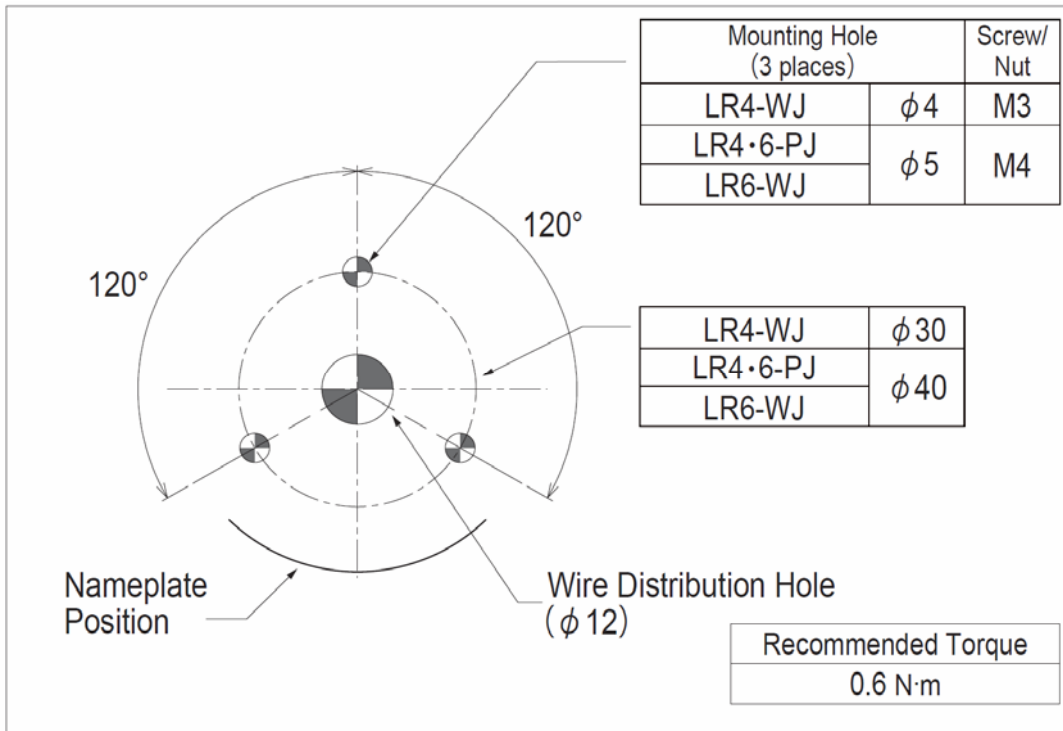


3pcs.

- Cable : UL2464 (Φ7.5)
- Signal Wire : AWG24
- Power Supply Wire : AWG18
- Cable Length : (1000)

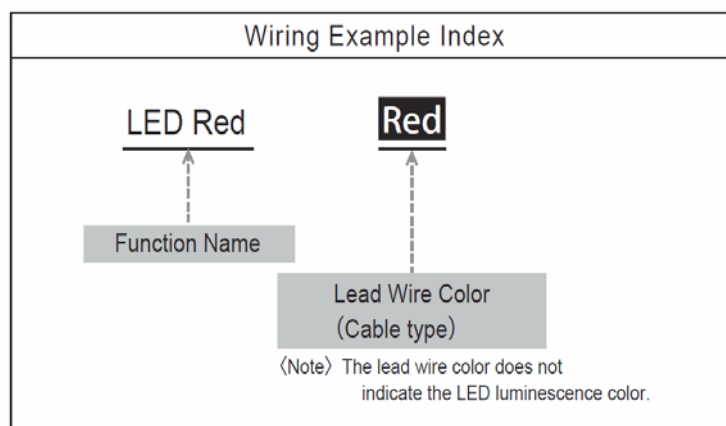
4. Mounting Dimensional Drawing

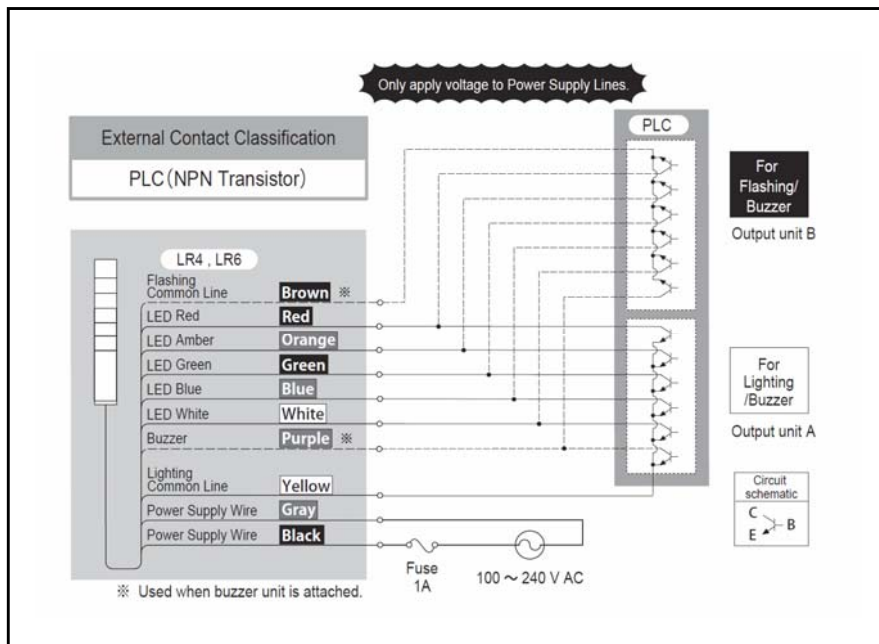
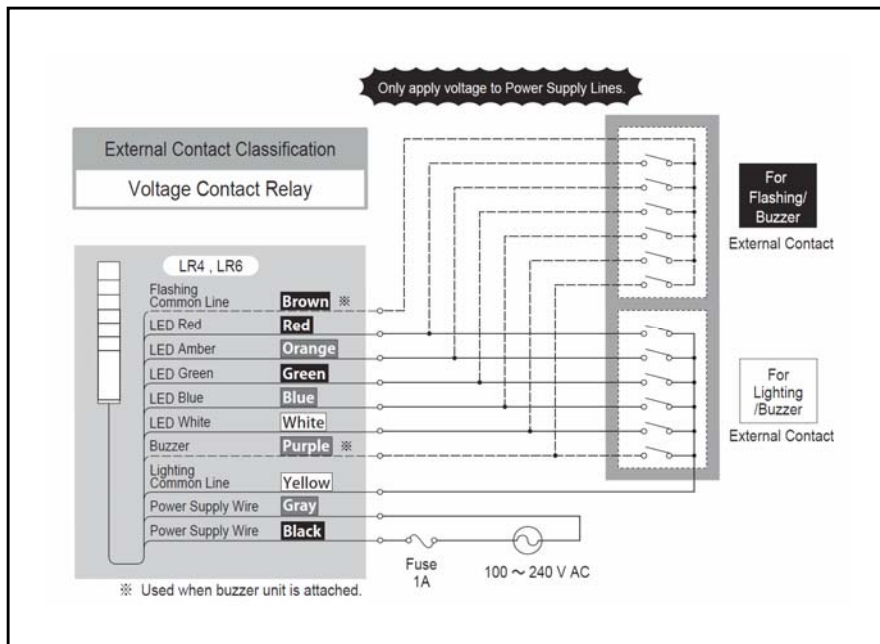
4.1 WJ - PJ Mounting Dimensional Drawing (Unit : mm)



5. Wiring Diagram

5.1 Wiring Example





5.2 External Contact Capacity

I_S : Current Capacity V_S : Withstand Voltage I_L : Leakage Current T_a : Ambient Temperature

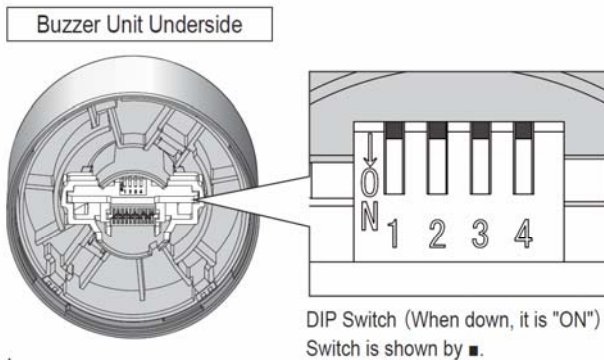
Rated Load Voltage		100-240V AC
LED Unit (1 Tier)	Signal Wire Current	40mA
	Contact Capacity	$I_S \geq 100\text{mA}$ $V_S \geq 35\text{V DC}$
Buzzer	Signal Wire Current	40mA
	Contact Capacity	$I_S \geq 300\text{mA}$ $V_S \geq 35\text{V DC}$
Power Supply	Current Consumption	150mA
	Contact Capacity	Inrush current or more contacts
Inrush Current	Signal Wire	None
	Power Supply Wire	$T_a=25^\circ\text{C}$: 25A / Less than 2ms (Cold-start) $T_a=50^\circ\text{C}$: 50A / Less than 2ms (Cold-start)
Leakage Current		$I_L \leq 0.1\text{mA}$

■ Recommended Fuse

Fuse Rated Current	250 V / 1 A (5x20mm Fast-Acting Glass Body Cartridge Fuse)
--------------------	---

6. Buzzer Pattern Set-up

The **B** Flashing/Buzzer type includes a set up for four different patterns and sound reduction.
Set up the preferred pattern, using the DIP Switch after removing the buzzer unit.



■ Setup Table

Buzzer Sound	DIP Switch		Sound Pattern
	1	2	
No.1	OFF	OFF	Rapid Intermittent Beep
No.2	ON	OFF	Continuous Beep Sound
No.3	OFF	ON	Rapid Hi-Lo
No.4	ON	ON	Sweep Sound

DIP Switch	Volume
3 OFF	Normal
3 ON	Sound Reduction

(Note) Do not use DIP Switch 4.
It is set to "OFF" at all times after factory shipments.