

Drawing No.	Rev.	Page
LR6-FB291-A18	-	1 / 6

<h1>SPECIFICATIONS</h1>	Drawn	H. Yoshigi 7. May. '21
	Checked	A. Ikeda 13. May. '21
	Approved	Y. Naito 13. May. '21

[1. General Specifications]

Product Name		Signal Tower
Model		LR6-02WCNW+FB291
UL Registered Model		LR6_02WCN
Rated Voltage		24V DC
Operating Voltage Range		Rated Voltage \pm 10%
Rated Current	Typ.	LED Unit : 40mA
	Max.	LED Unit : 45mA
Consumption	Typ.	LED Unit : 1W
	Max.	LED Unit : 1.3W
Rated Power		LED Unit : 1W
Consumption		LED Unit : 1.3W
Operating Ambient Temperature		-20°C to +50 °C
Operating Ambient Humidity		Less than 90 % (No condensation)
Storage Ambient Temperature		-30°C to +60 °C
Storage Ambient Humidity		Less than 90 % (No condensation)
Mounting Location		Indoor
Mounting Direction		Upright
Protection Rating		IP65(IEC 60529) / NEMA TYPE 4X,13
Environmental Condition		Upright
Insulation Resistance		More than 1M Ω at 500V DC between live part and non-current carrying metallic part
Withstand Voltage		500V AC applied for 1min between live part and non-current carrying metallic part without breaking insulation
Mass (Tolerance \pm 10%)		0.17kg
Flashing Rate		60 \pm 2 Flashes Per Minute (When buzzer unit is attached.)
Outer Dimensions		Refer to the 3.Outer Dimensions
Compatible Unit (Optional)	LED Unit Model	LR6-E-R,Y,G,B,C,RZ,YZ,GZ,BZ,MZ
	Buzzer Unit Model	LR6-BW
Conformity Standards		UL 508, CSA-C22.2 No. 14
		RoHS Directive (EN 50581)
		EMC Directive (EN 61000-6-4, EN 61000-6-2)
		FCC Part 15 SubpartB Class A
		KC (KN 61000-6-4, KN 61000-6-2)
Remarks		UL Recognized Component (File No.E215660)
		Due to the characteristics of the LED elements, a variation in difference of the color tone and brightness of every product may occur



[2.Model Number Configuration]

	Model		Rated Voltage	Mounting/Wiring	Flashing/Buzzer	Body Color		Custom Order Number
Unit Model(Body Unit)	LR6	-	02	WC	N	W	+	FB291
	Size		Rated Voltage			Body Color		
	6 $\phi 60$		02 24VDC			W Off-white		
					Flashing / Buzzer			
					N No Flashing / Buzzer			
				Mounting / Wiring				
				WC	Direct Mount/M12 Connector (Mounting with M30 Nut)			

[3.Outer Dimensions]

[mm]

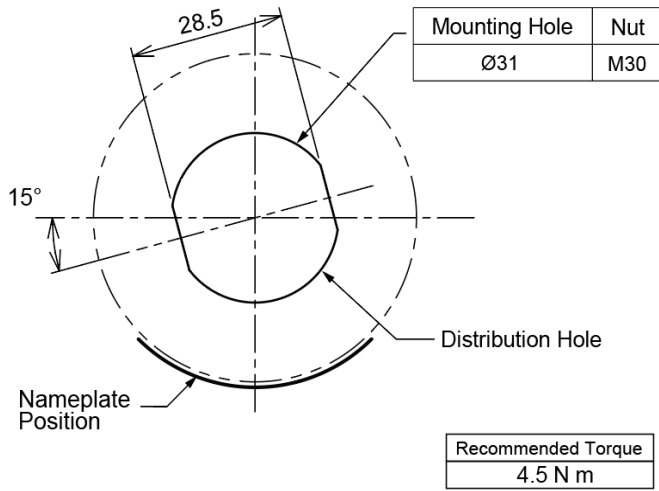
Number	Name	Material	UL Flammability
1	Head Cover	PC	V-2
2	Body	PC	V-2
3	Direct Mount Bracket	PC	V-2
4	Waterproof Packing (t=1)	Silicone Rubber	-
5	M30 Nut	PC	V-2

•Maximum Board Thickness : 10mm

[4. Mounting Dimensional Drawing]

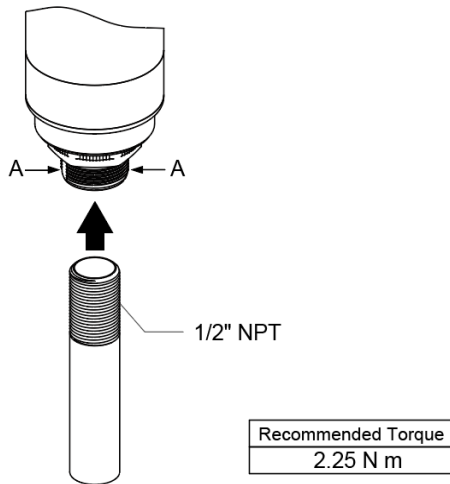
4.1 Mounting Dimensional Drawing(M30×1.5 Installation)

[mm]



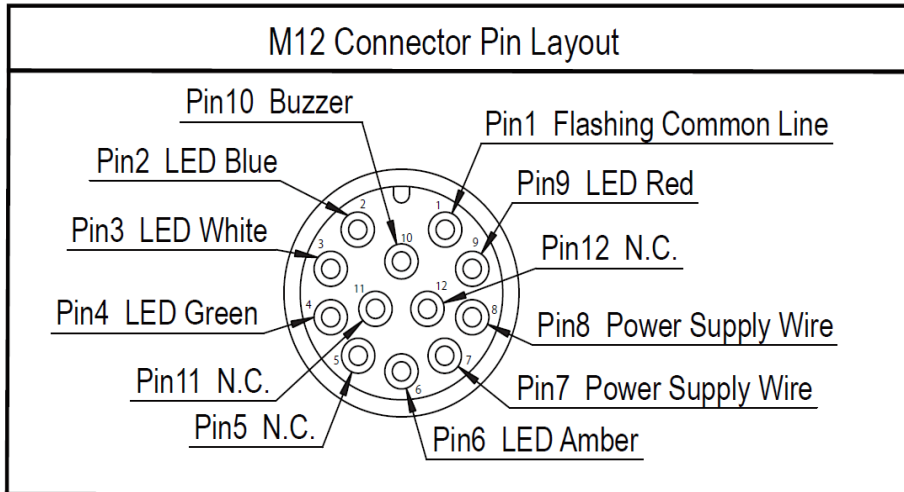
4.2 Installation Figure(1/2 NPT Installation Figure)

While holding part 'A', install the 1/2" NPT.
Failure to comply may result in damage.

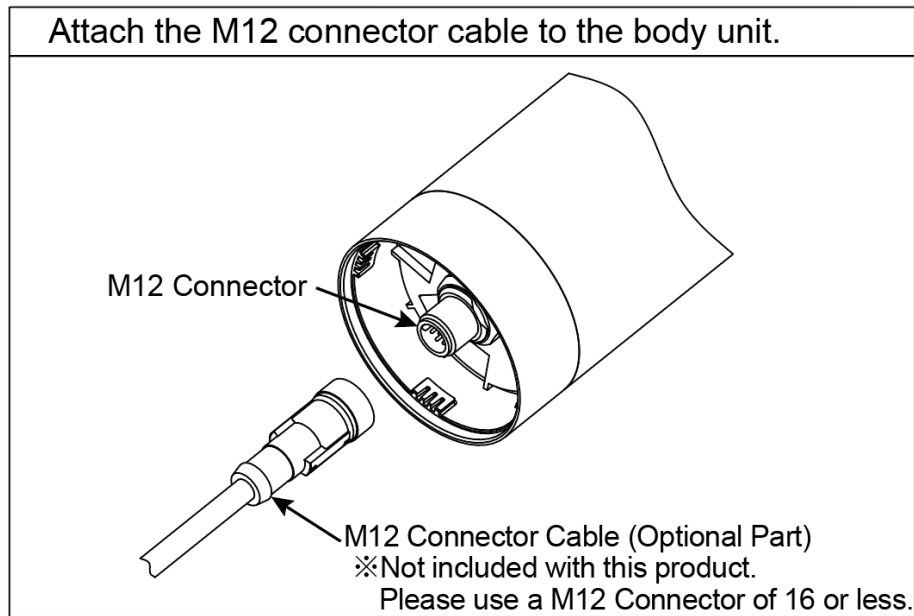


[5.Wiring Diagram]

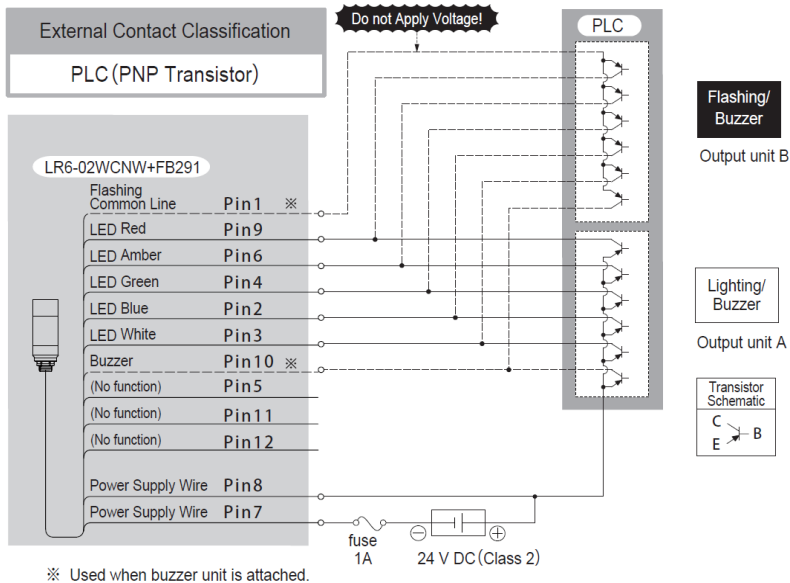
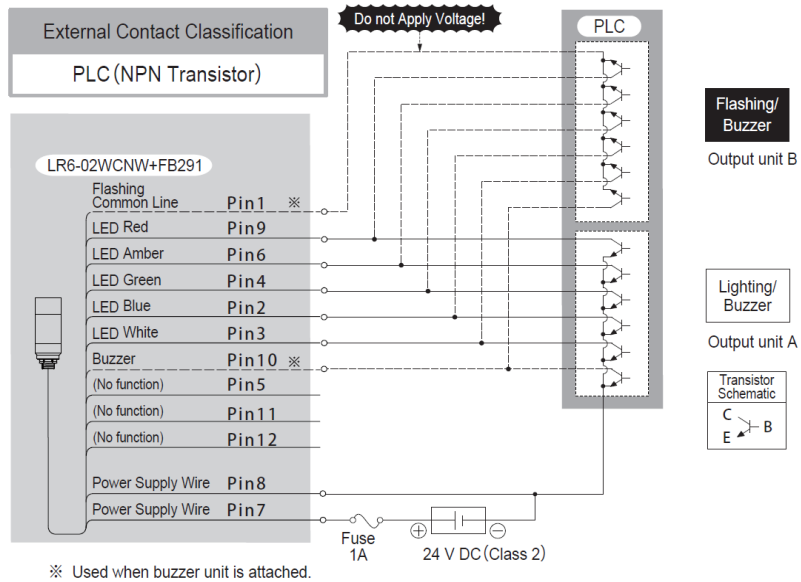
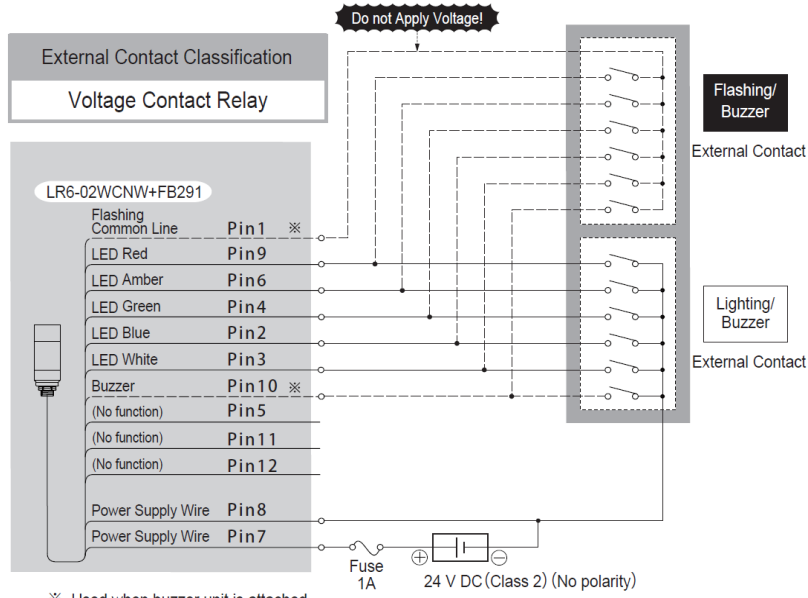
5.1 M12 Connector Pin Layout
12-pin male(plug)



5.2 Attach the M12 connector with cable to the body unit.



5.3 Wiring Example



5.4 External Contact Capacity

I_S : Current Capacity V_S : Withstand Voltage I_L : Leakage Current

Rated Load Voltage		24VDC			
LED Unit (1 Tier)	Signal Wire Current (Max.) / Voltage	100mA / Power Supply Voltage			
	Recommended Contact Capacity	$I_S \geq 100\text{mA}$ $V_S \geq 35\text{V DC}$			
Buzzer	Signal Wire Current (Max.) / Voltage	250mA / Power Supply Voltage			
	Recommended Contact Capacity	$I_S \geq 300\text{mA}$ $V_S \geq 35\text{V DC}$			
Power Supply	Current Consumption (Max.)	250mA (※1)			
	Signal Wire Current (Max.) / Voltage	$I_S \geq 500\text{mA}$ $V_S \geq 35\text{V DC}$			
Inrush Current	Signal Wire	LED	None	Buzzer	None (※2)
	Power Supply Wire	None (※3)			
Leakage Current		$I_L \leq 0.1\text{mA}$			

※1 . . . Measured with five LED tiers and buzzer operating.

※2 . . . Not exceeding Maximum Signal Wire Current Ratings

※3 . . . Signal wire current (Max.) not exceeding the sum total.

■ Recommended Fuse

Fuse Rated Current	250 V / 1A (5x20mm Fast-Acting Glass Body Cartridge Fuse)
--------------------	--