

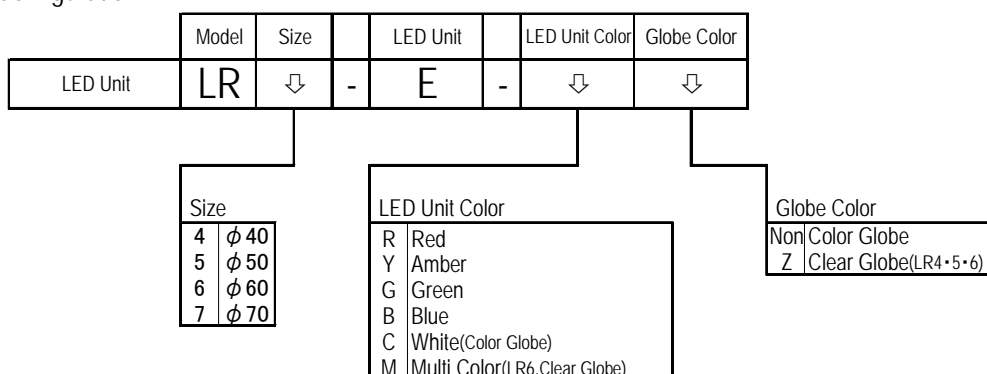
SPECIFICATIONS

1. General Specifications

Model	LR□-E-□□		
Operating Ambient Temperature	-20°C ~ +50°C		
Operating Ambient Humidity	Less than 90% RH (No Condensation)		
Mass (Tolerance±10%)	LR4	0.035kg	
	LR5	0.04kg	
	LR6	0.06kg	
	LR7	0.065kg	
Outer Dimensions	Refer to the 3.Outer Dimensions		
Conformity Standards	UL 508, CSA-C22.2 No. 14 EMC Directive (EN 61000-6-4, EN 61000-6-2) RoHS Directive (EN 50581)		
Remarks	Due to the characteristics of the LED elements, a variation in difference of the color tone and brightness of every product may occur UL Recognized Component (File No.E215660)		

2. Model

2.1.1 Model Number Configuration



2.1.2 Model Number Example

LED Unit	LR4-E-C ● φ 40 ● LED Unit ● White ● Color Globe(Clear)
	LR4-E-YZ ● φ 40 ● LED Unit ● Amber ● Clear Globe
	LR5-E-R ● φ 50 ● LED Unit ● Red ● Color Globe(Red)
	LR6-E-MZ ● φ 60 ● LED Unit ● Multi Color ● Clear Globe

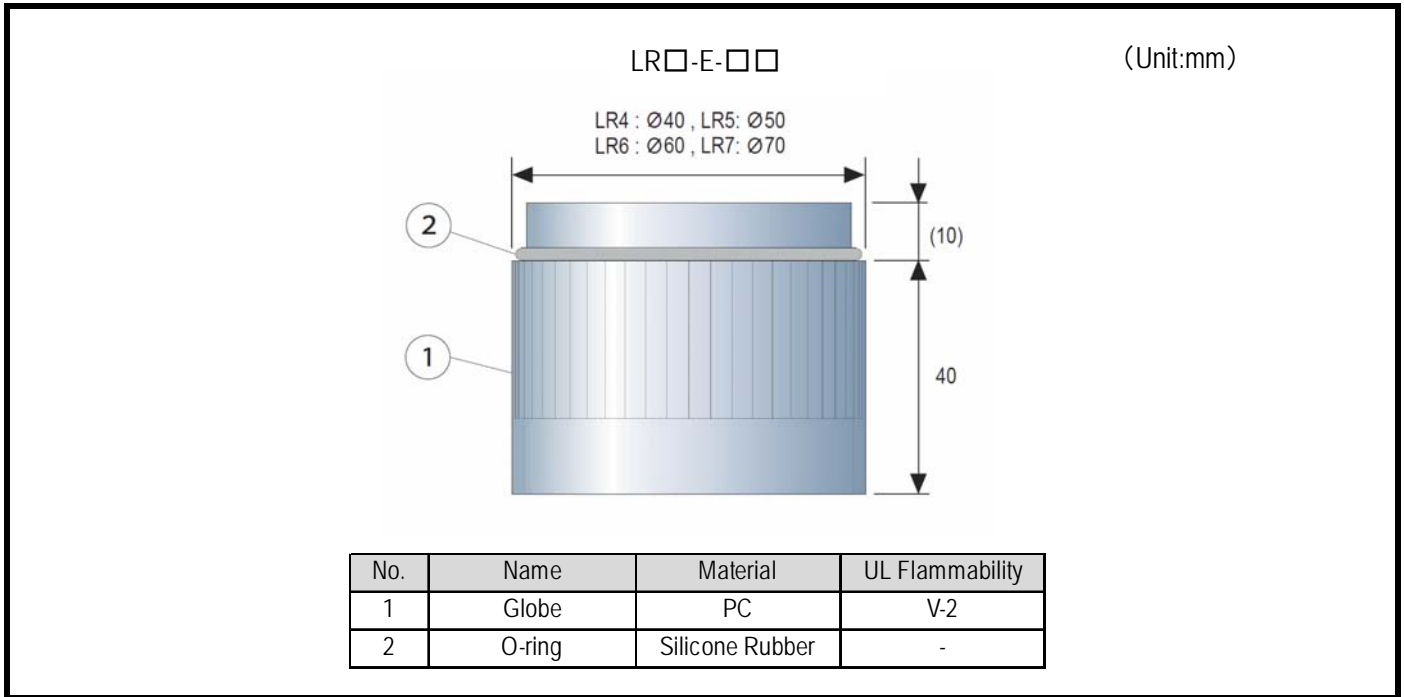
2.2 UL Registered Model

LED Unit	LR4-E-R, LR4-E-Y, LR4-E-G, LR4-E-B, LR4-E-C, LR4-E-RZ, LR4-E-YZ, LR4-E-GZ, LR4-E-BZ, LR5-E-R, LR5-E-Y, LR5-E-G, LR5-E-B, LR5-E-C, LR5-E-RZ, LR5-E-YZ, LR5-E-GZ, LR5-E-BZ, LR6-E-R, LR6-E-Y, LR6-E-G, LR6-E-B, LR6-E-C, LR6-E-M LR6-E-RZ, LR6-E-YZ, LR6-E-GZ, LR6-E-BZ, LR7-E-R, LR7-E-Y, LR7-E-G, LR7-E-B, LR7-E-C,
----------	---

LR-E-W18D-1_5

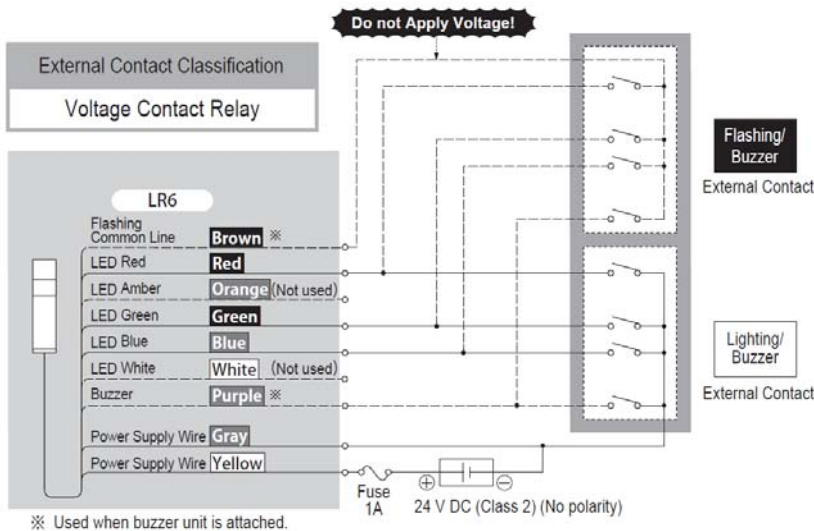
PATLITE Corporation

3.Outer Dimensions



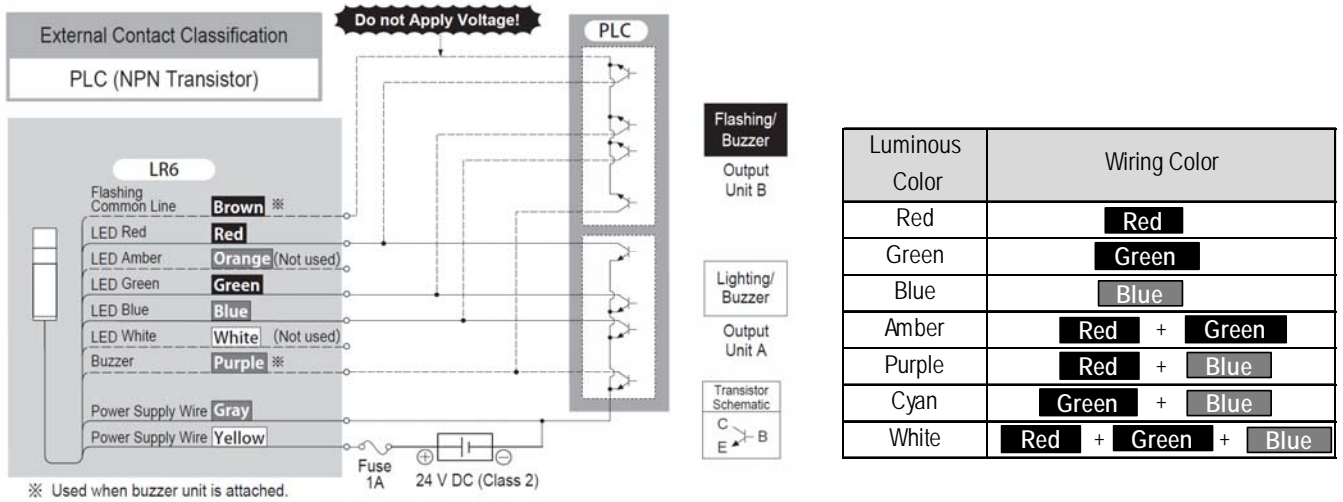
4.Multi Color LED Unit (LR6-E-MZ) Wiring Diagram

4.1.1 【LR6-02】Voltage Contact Relay Wiring Example

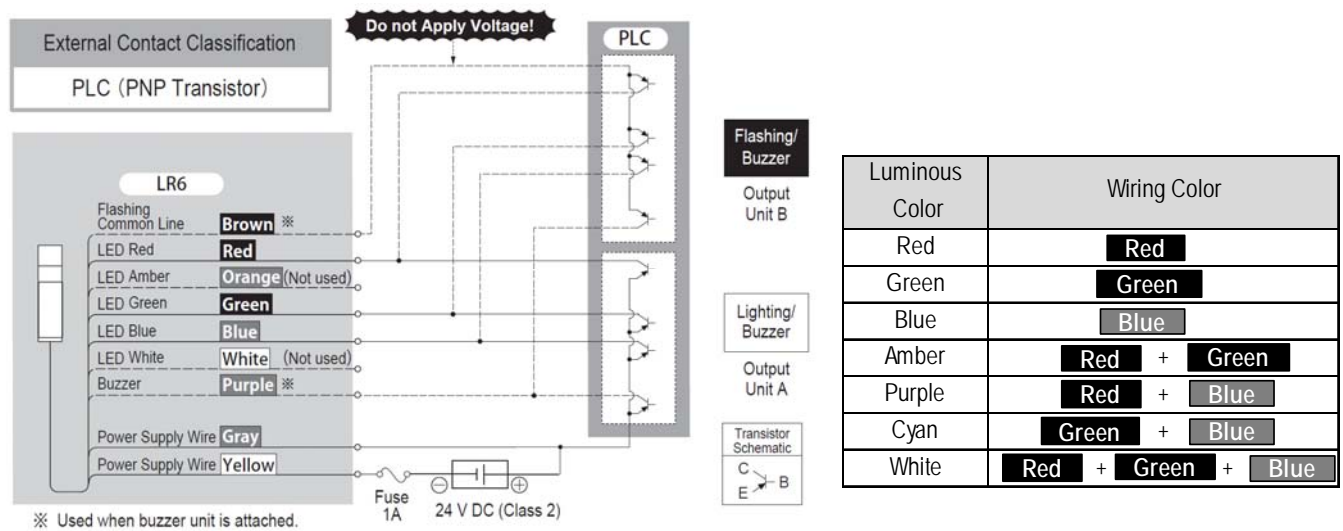


Luminous Color	Wiring Color
Red	Red
Green	Green
Blue	Blue
Amber	Red + Green
Purple	Red + Blue
Cyan	Green + Blue
White	Red + Green + Blue

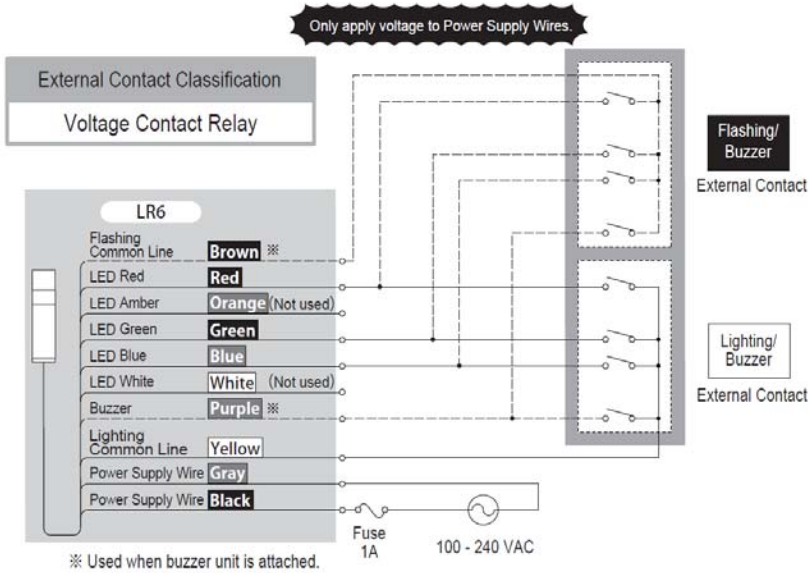
4.1.2 【LR6-02】PLC(NPN Transistor) Wiring Example



4.1.3 【LR6-02】PLC(PNP Transistor) Wiring Example

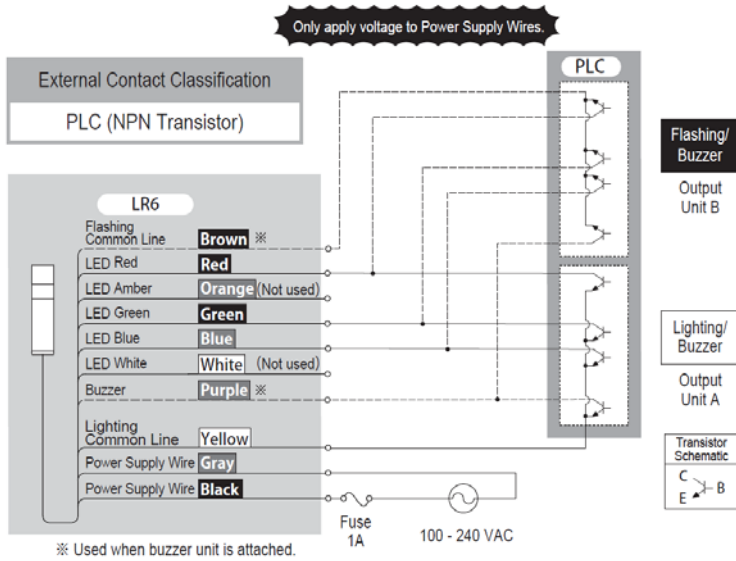


4.2.1 【LR6-M2】Voltage Contact Relay Wiring Example



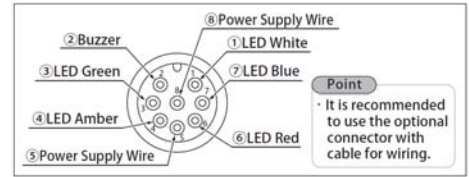
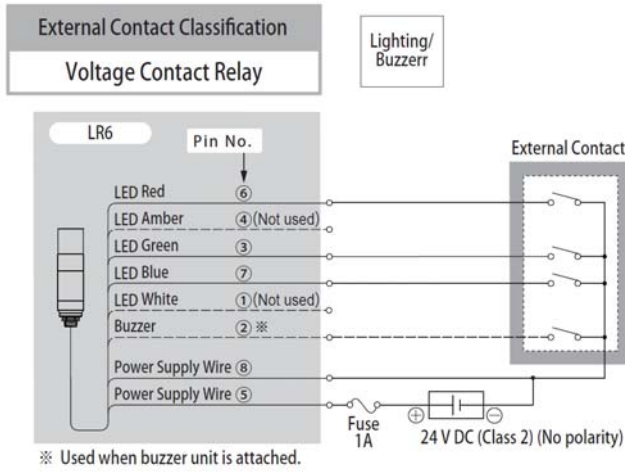
Luminous Color	Wiring Color
Red	Red
Green	Green
Blue	Blue
Amber	Red + Green
Purple	Red + Blue
Cyan	Green + Blue
White	Red + Green + Blue

4.2.2 【LR6-M2】PLC(NPN Transistor) Wiring Example



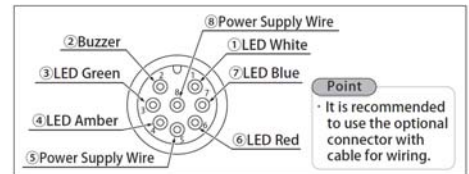
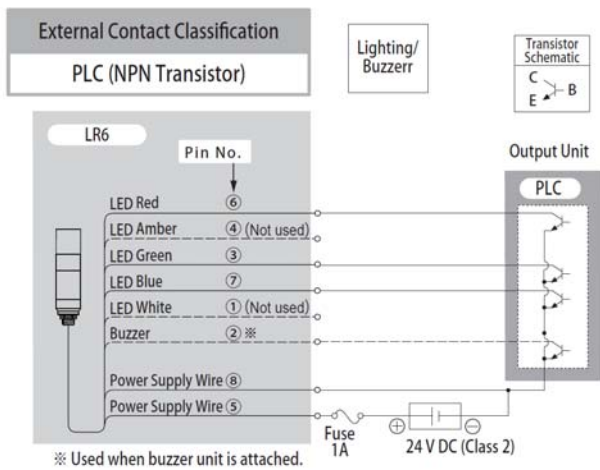
Luminous Color	Wiring Color
Red	Red
Green	Green
Blue	Blue
Amber	Red + Green
Purple	Red + Blue
Cyan	Green + Blue
White	Red + Green + Blue

4.3.1 【LR6-02WC】Voltage Contact Relay Wiring Example



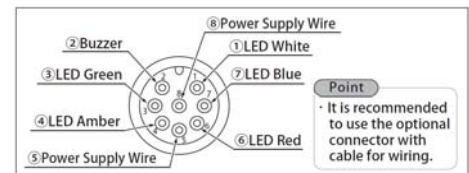
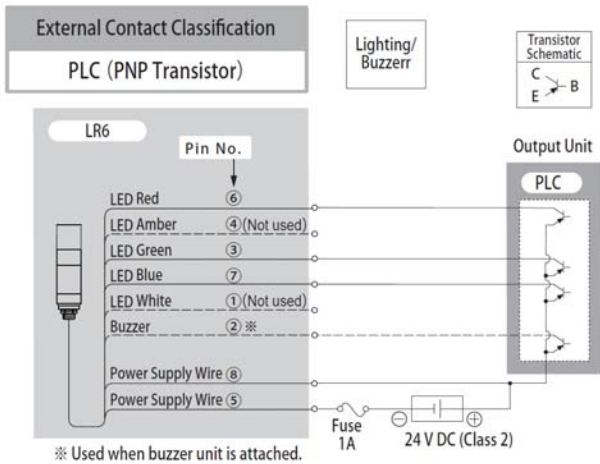
Luminous Color	M12 Connector Pin No.
Red	⑥
Green	③
Blue	⑦
Amber	⑥ + ③
Purple	⑥ + ⑦
Cyan	③ + ⑦
White	⑥ + ③ + ⑦

4.3.2 【LR6-02WC】PLC(NPN Transistor) Wiring Example



Luminous Color	M12 Connector Pin No.
Red	⑥
Green	③
Blue	⑦
Amber	⑥ + ③
Purple	⑥ + ⑦
Cyan	③ + ⑦
White	⑥ + ③ + ⑦

4.3.3 【LR6-02WC】PLC(PNP Transistor) Wiring Example



Luminous Color	M12 Connector Pin No.
Red	⑥
Green	③
Blue	⑦
Amber	⑥ + ③
Purple	⑥ + ⑦
Cyan	③ + ⑦
White	⑥ + ③ + ⑦