

# SPECIFICATIONS

[General Specifications]

Lead Wires Type

Model	5 tiers	LS7-502(D/S)WH-RYGBC
	3 tiers	LS7-302(D/S)WH-RYGNN
UL Registered Model		LS7-_02(D/S)WH
Rated Voltage		24V DC (Non-polar)
Operating Voltage Range		Rated Voltage $\pm$ 10%
Signal wire Current (Rated Current Consumption)	Typ.	Per Unit Red: 20mA Amber: 30mA Green: 30mA Blue: 30mA White: 30mA
	Max.	Per Unit Red: 35mA Amber: 40mA Green: 40mA Blue: 40mA White: 40mA
Operating Ambient Temperature		-30°C to +60°C
Operating Ambient Humidity		Less than 90% (No condensation)
Mounting Location		Indoors
Mounting Direction		Upright
Protection Rating		IP65 (IEC 60529)
Environmental Condition		Install the signal light on a sturdy and level surface
Vibration Resistance		19.6m/s <sup>2</sup>
Insulation Resistance		More than 1M $\Omega$ at 500VDC between the terminals and the chassis
Withstand Voltage		500VAC applied for 1min between terminals and chassis without breaking insulation
Luminous Intensity		Red: more than 490mcd Amber: more than 1140mcd Green: more than 940mcd Blue: more than 195mcd White: more than 1000mcd
Mass (Tolerance $\pm$ 10%)		0.28kg
Outer Dimensions		Refer to Outer Dimension Drawing
Conformity Standards		UL 508, CSA-C22.2 No. 14
		EMC Directive (EN 61000-6-4, EN 61000-6-2)
		RoHS Directive (EN 50581)
Remarks		<ul style="list-style-type: none"> <li>• Conforms to the CE requirements</li> <li>• UL Recognized Component (File No.E215660)</li> </ul>

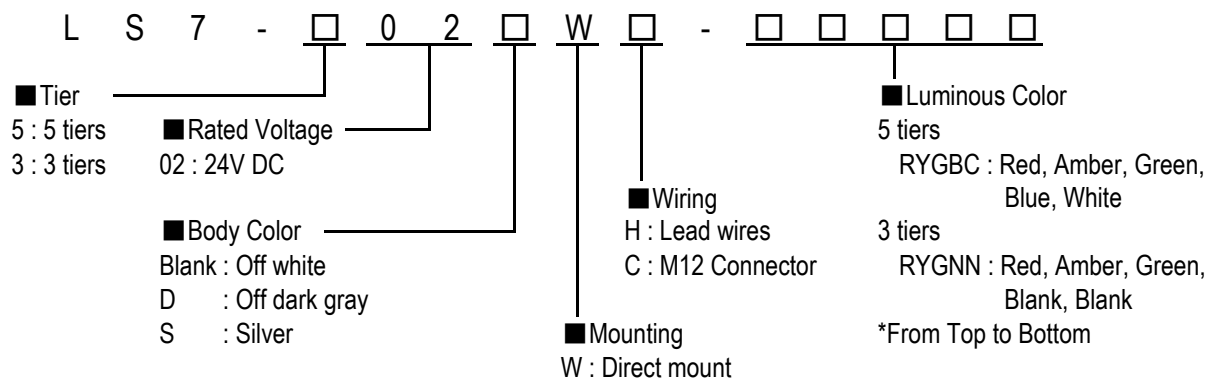
No.LS7-502-W18B-1\_4

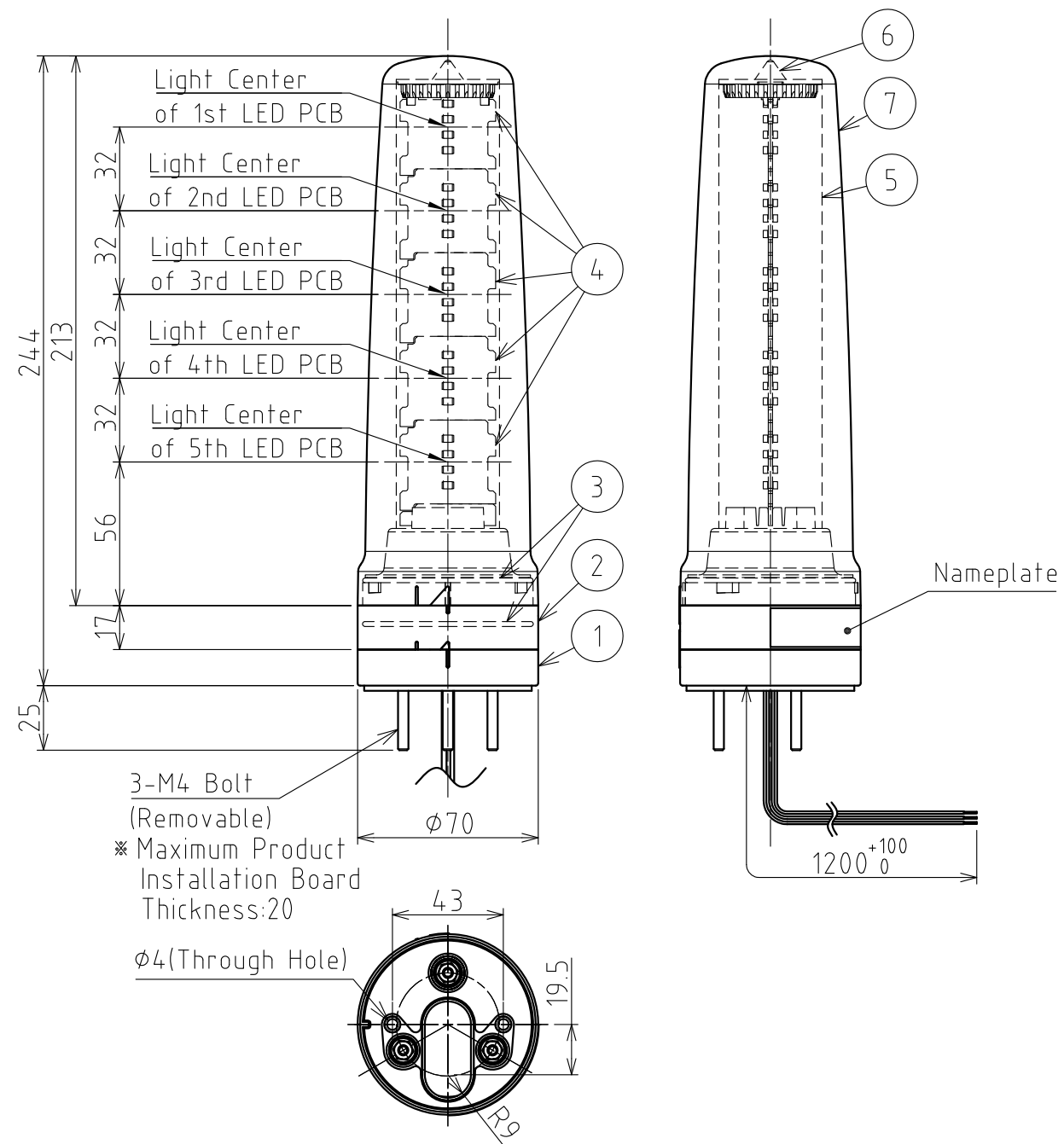
## PATLITE Corporation

M12 Connector Type

Model	5 tiers	LS7-502(D/S)WC-RYGBC
	3 tiers	LS7-302(D/S)WC-RYGNN
UL Registered Model		LS7_02(D/S)WC
Rated Voltage		24V DC (Non-polar)
Operating Voltage Range		Rated Voltage ±10%
Signal wire Current (Rated Current Consumption)	Typ.	Per Unit Red: 20mA Amber: 30mA Green: 30mA Blue: 30mA White: 30mA
	Max.	Per Unit Red: 35mA Amber: 40mA Green: 40mA Blue: 40mA White: 40mA
Operating Ambient Temperature		-30°C to +60°C
Operating Ambient Humidity		Less than 90% (No condensation)
Mounting Location		Indoors
Mounting Direction		Upright
Protection Rating		IP65 (IEC 60529)
Environmental Condition		Install the signal light on a sturdy and level surface
Vibration Resistance		19.6m/s <sup>2</sup>
Insulation Resistance		More than 1MΩ at 500VDC between the terminals and the chassis
Withstand Voltage		500VAC applied for 1min between terminals and chassis without breaking insulation
Luminous Intensity		Red: more than 490mcd Amber: more than 1140mcd Green: more than 940mcd Blue: more than 195mcd White: more than 1000mcd
Mass (Tolerance ±10%)		0.26kg
Outer Dimensions		Refer to Outer Dimension Drawing
Conformity Standards		UL 508, CSA-C22.2 No. 14
		EMC Directive (EN 61000-6-4, EN 61000-6-2)
		RoHS Directive (EN 50581)
Remarks		· Conforms to the CE requirements
		· UL Recognized Component (File No.E215660)

[Model Number Configuration]





Wiring Example (Wire Type:UL1007/AWG22)

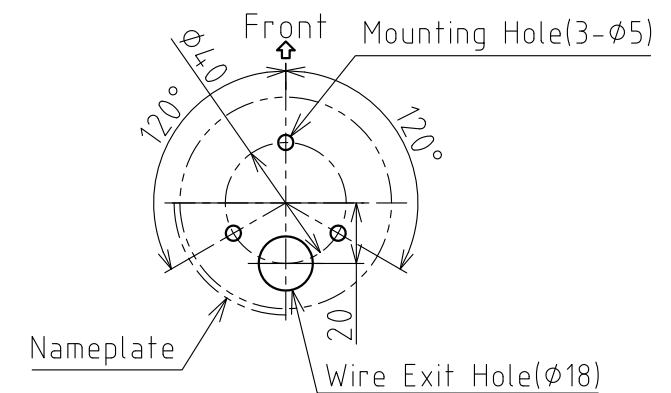
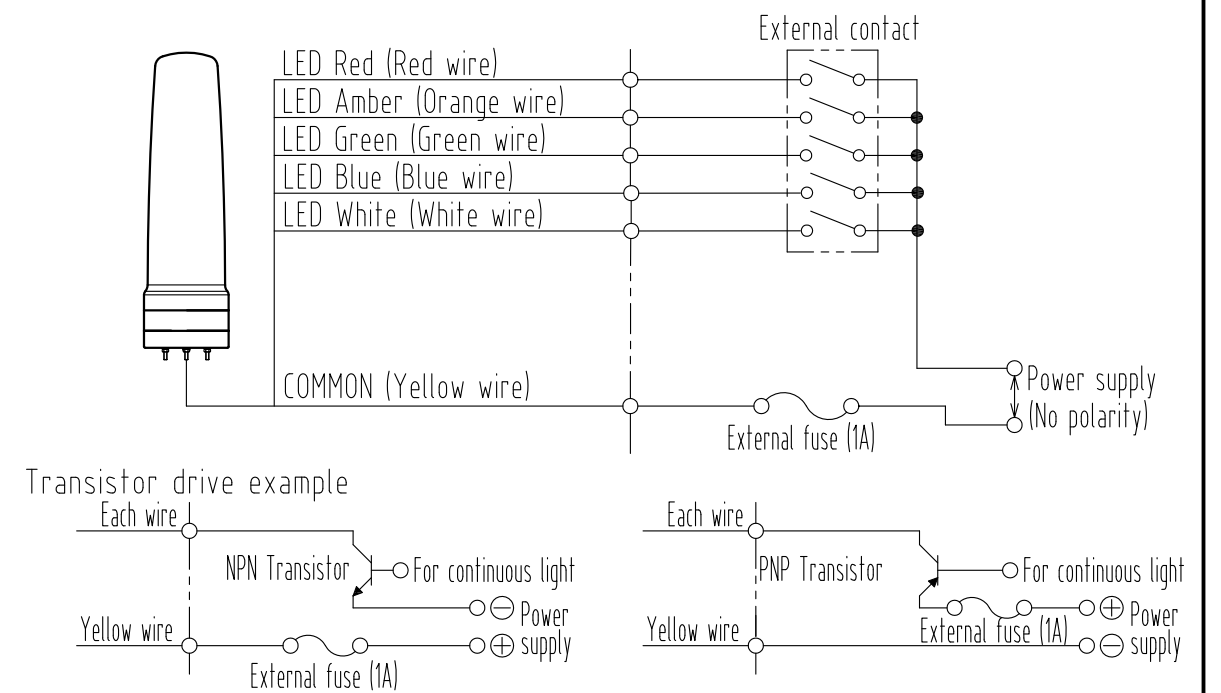


Fig1. Mounting Dimension

7	Outer Cover	-	1	PC	
6	Cap	-	1	Si	
5	Inner Lens	-	1	PC	
4	LED PCB	-	5		
3	O-ring	-	2	Si	
2	Base	-	1	ABS (S:Silver painting)	
1	Mount	-	1	ABS (S:Silver painting)	
番号 No.	部品名 Part Name	品目コード Part No.	数量 Qty.	材料 & 寸法 & 処理 Material & Size & Finish	記事 Remarks

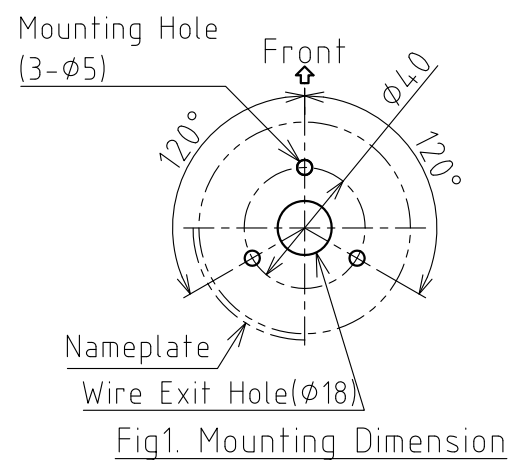
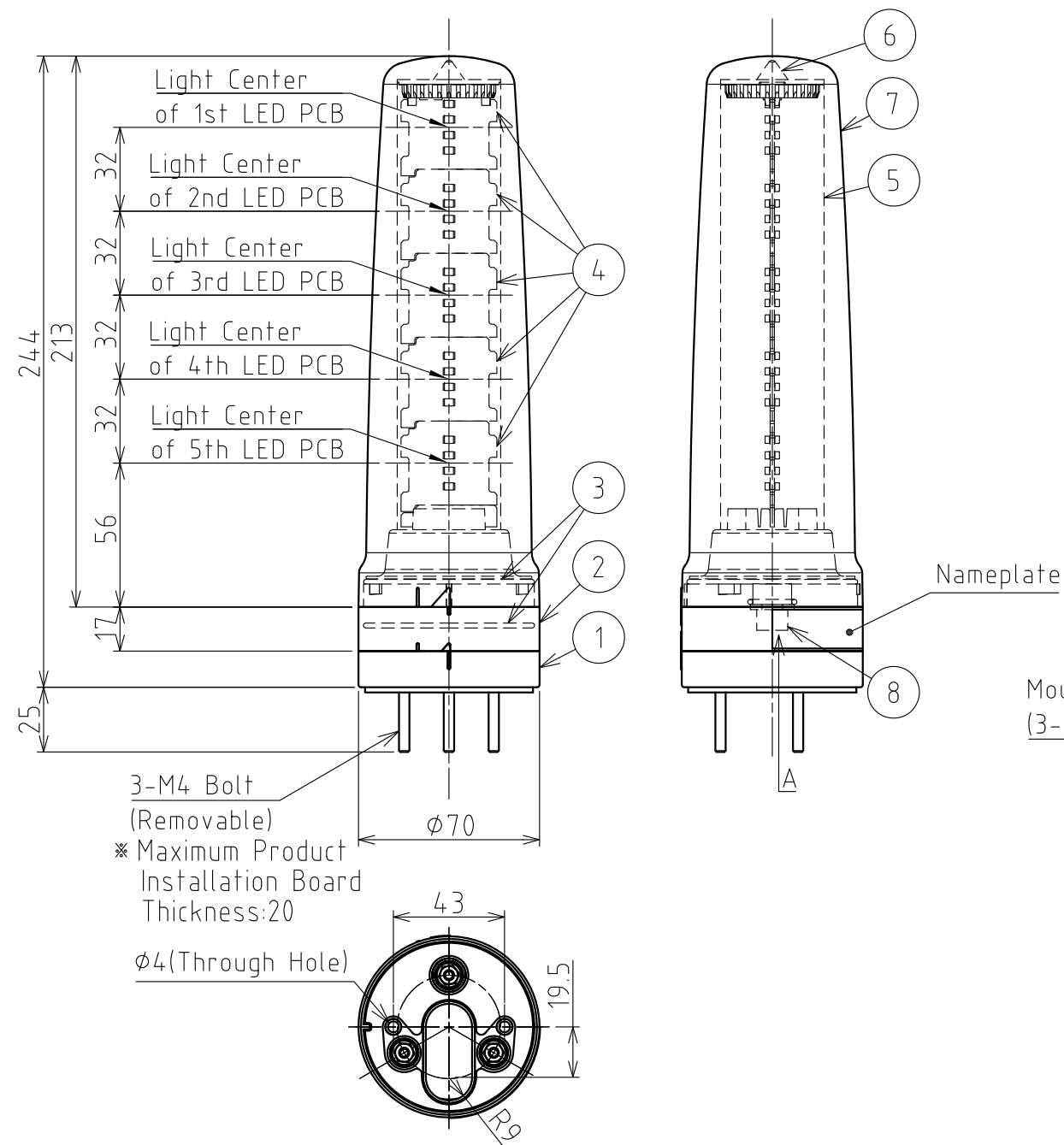
Note

- For water protection, refer to Fig1. for product upright positioning, do not make any additional holes beyond the three holes for mounting and one hole for wiring.
- When these are unused lead wires, be sure to separately insulate the ends of each unused wire.

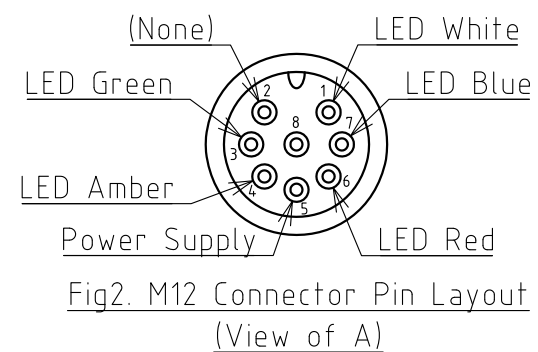
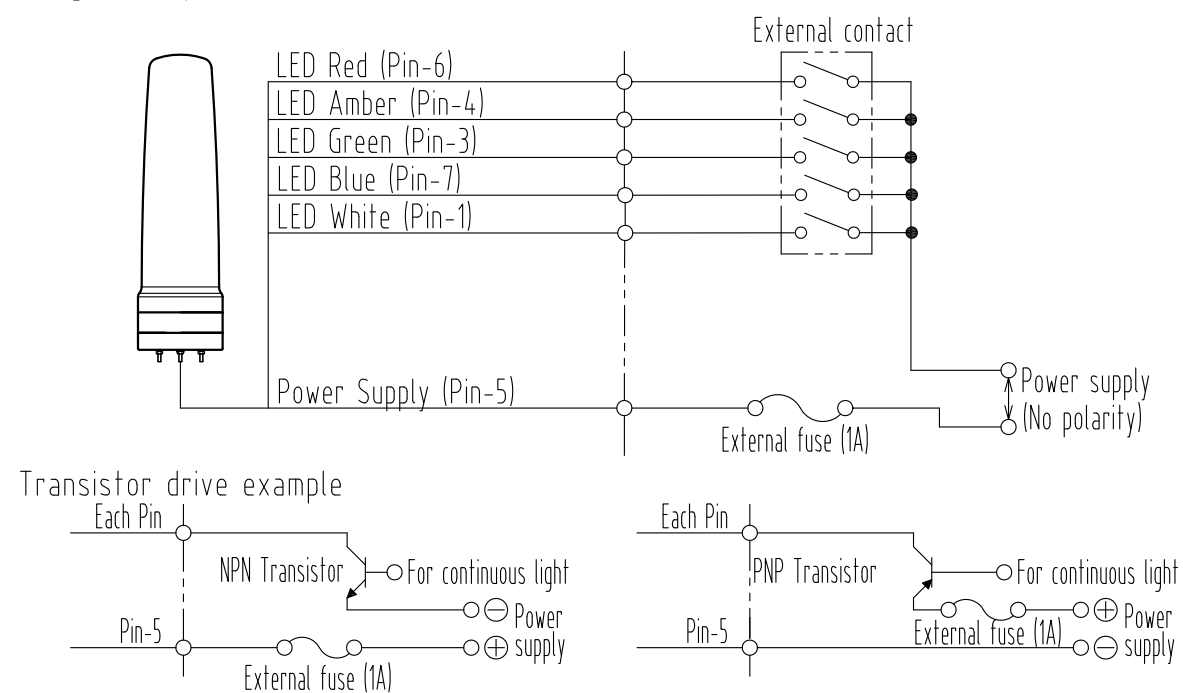
外観図面  
Outer Dimension Drawing

株式会社 パトライト  
PATLITE Corporation

LS7-502-W18B-3\_4



Wiring Example



Note

- For water protection, refer to Fig1. for product upright positioning, do not make any additional holes beyond the three holes for mounting and one hole for wiring.
- The Cable used to Connector with the M12 Connector is an Optional Part.

8	M12 Connector	-	1	XS2M-D824-4 (OMRON)	
7	Outer Cover	-	1	PC	
6	Cap	-	1	Si	
5	Inner Lens	-	1	PC	
4	LED PCB	-	5		
3	O-ring	-	2	Si	
2	Base	-	1	ABS (S:Silver painting)	
1	Mount	-	1	ABS (S:Silver painting)	
番号 No.	部品名 Part Name	品目コード Part No.	数量 Qty.	材料 & 寸法 & 処理 Material & Size & Finish	記事 Remarks

外観図面  
Outer Dimension Drawing  
株式会社 パトライト  
PATLITE Corporation  
LS7-502-W18B-4\_4