

SPECIFICATIONS

[General Specifications]

Model	MP-B+ FB216		
UL registration model	MP-B		
Rated Voltage	24V DC (Non-polar)		
Operating Voltage	Rated Voltage \pm 10%		
Signal Wire Current	Typ.	30mA (at 24V DC)	
	Max.	35mA (at 24V DC)	
Operating Temperature Range	-30°C to +60°C		
Relative Humidity	Less than 90% (No condensation)		
Mounting Location	Indoors (Only installed on MP, MPS, MP-C series)		
Mounting Direction	Upright		
Protection Rating	IP65 (Self-Declaration based on IEC 60529)		
Environmental Condition	The product is installed on the flat surface with enough strength.		
Vibration Resistance	JIS C 60068-2-6 Total amplitude 0.3mm p-p (10 to 57.5Hz), Acceleration 19.6 m/s ² (57.5 to 150Hz)		
Insulation Resistance	More than 1M Ω at 500VDC between current-carrying parts and non-current-carrying metal		
Withstand Voltage	500VAC applied for 1min between current-carrying parts and non-current-carrying metal parts		
Sound Pressure Level	80dB typ		
Environmental Condition	The level is measured with A-weighting at a distance of 1meter from the buzzer opening.		
Mass (Tolerance \pm 10%)	25g		
Conformity Standards	RoHS Directive(DIRECTIVE 2002/95/EC) FCC Part15 SubpartB Class A UL Recognized Component (File No.E215660) CE marking (EN61000-6-4 and EN61000-6-2)		
Remarks	<p>Conditions of UL acceptability: -Use Class 2 power supply. -Installed on MP/MPS/MP-C.</p> <p>1.The buzzer operates in conjunction with the White LED Unit of MP.</p>		



No. MP-FB216-A18A-1_2

PATLITE Corporation	Approved	Checked	Drawn
	M.Yoshida	M.Yoshida	T.Fujiwara
	14.Mar.'13	14.Mar.'13	11.Mar.'13

1

2

3

4

5

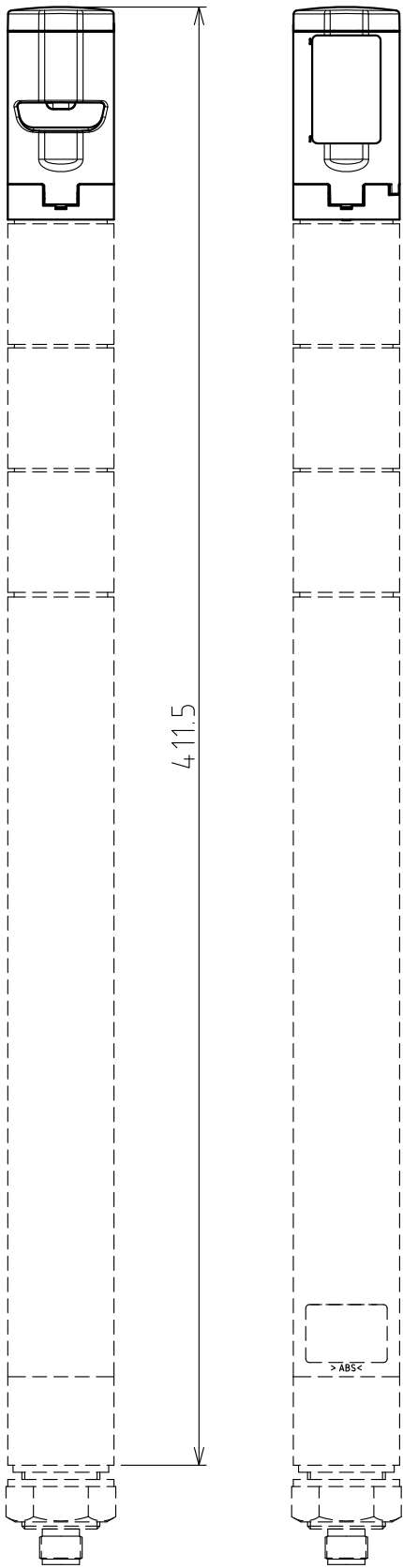
6

7

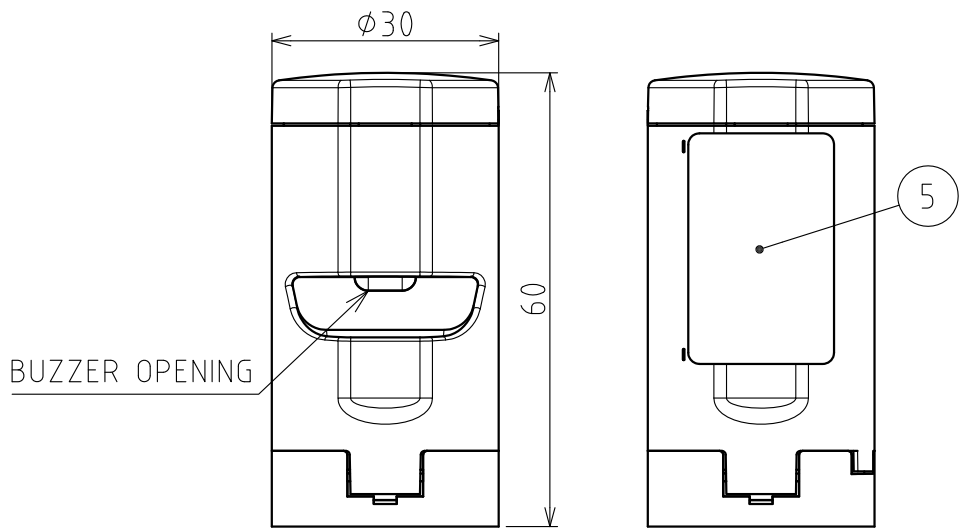
8

指定公差 General Tolerance	角度公差 ±[°]			寸法公差 ±[mm]					符号 Sym.	年月日 Date	訂正履歴 Revisions			記印 Sgn.	検印 Chk.	承認 App.		
	短辺 Length of short side	長辺 Length of long side	~	6	30	120	300	1000			△	-						
	精	f	0.05	0.1	0.2	0.4	0.6	△	-									
	中	m	0.1	0.3	0.5	0.7	1											
粗	v	0.3	0.5	1	1.2	2	△	-										

質量 Mass
g



411.5



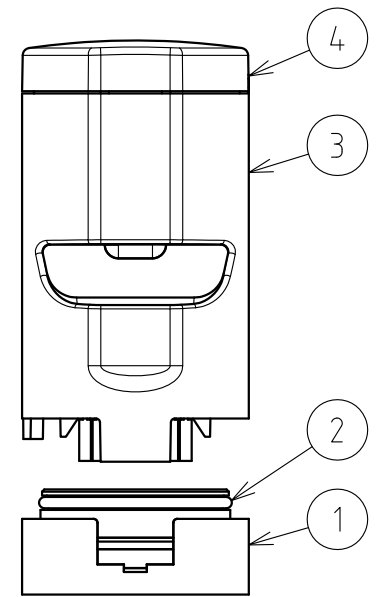
BUZZER OPENING

φ30

60

5

APPEARANCE



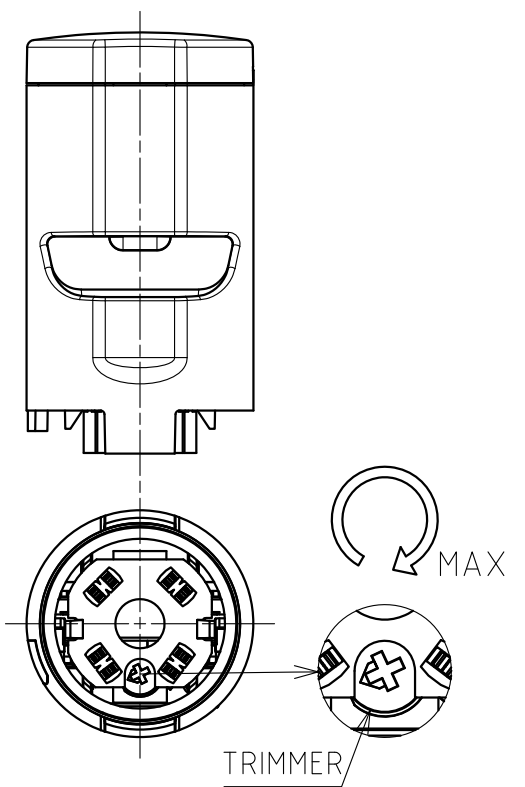
4

3

2

1

APPEARANCE DETACHED



TRIMMER

MAX

VOLUME CONTROL

MP-B MOUNTED ON MP-302C (1:2)



5	NAMEPLATE		1	Polyester film	
4	BUZZER COVER		1	ABS resin	Silver paint
3	BUZZER CASE		1	ABS resin	Silver paint
2	O-RING		1	Sillicone rubber	Gray
1	BUZZER BRACKET		1	ABS resin	Silver paint
番号 No.	部品名 Part Name	品目コード Part No.	数量 Qty.	材料 & 寸法 & 処理 Material & Size & Finish	記事 Remarks
設計 Dgn.by	製図 Drn.by	検図 Chk.by	承認 App.by	図名 Name	機種名 Model
M.Yoshida	T.Fujiwara	M.Yoshida	M.Yoshida	SPECIFICATIONS	MP-B+
11.Mar.'13	13.Mar.'13	14.Mar.'13	14.Mar.'13	OUTLINE	特注No. S.P.No. FB216
三角法 3rd Angle P.	単位 Unit mm	尺度 Scale 1:1	株式会社 パトライト PATLITE Corporation		図番 Drawing No. MP-FB216-A18B-2_2

1

2

3

4

5

6

7

8