

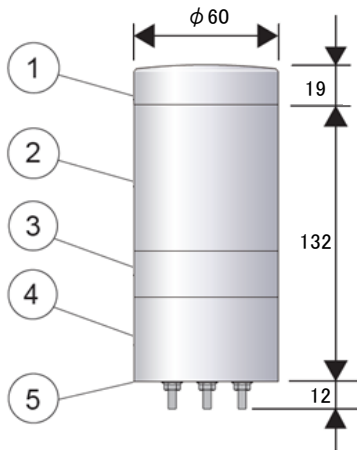




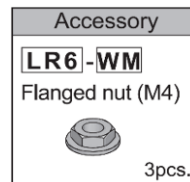


■ LR6-02WMNW

[mm]

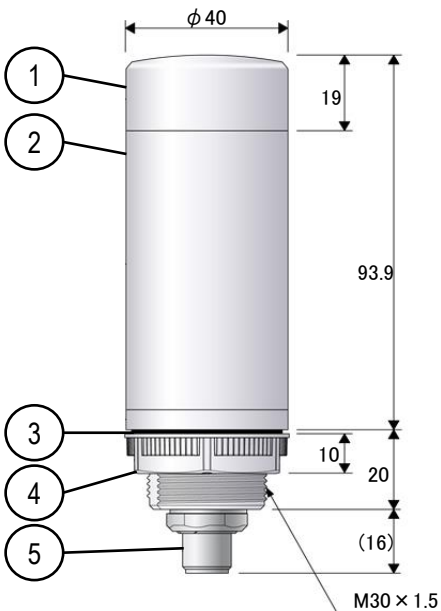


Number	Name	Material	UL Flammability
1	Head Cover	PC	V-2
2	Body	PC	V-2
3	M12 Bracket	PC	V-2
4	Direct Mount Bracket	PC	V-2
5	Waterproof Packing	Silicone Rubber	-



•Maximum Board Thickness : 8mm

■ LR4-02WCNW



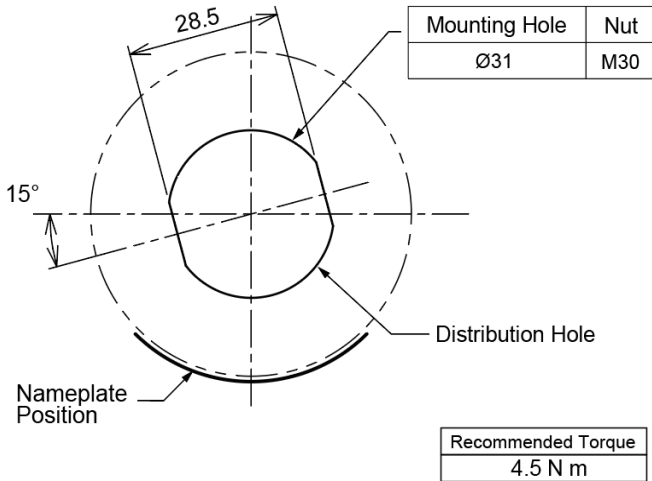
Number	Name	Material	UL Flammability
1	Head Cover	PC	V-2
2	Body	PC	V-2
3	Waterproof Packing (t=1)	Silicone Rubber	-
4	M30 Nut	PC	V-2
5	M12 Connector	Brass	-

•Maximum Board Thickness : 8mm

[4.Mounting Dimensional Drawing]

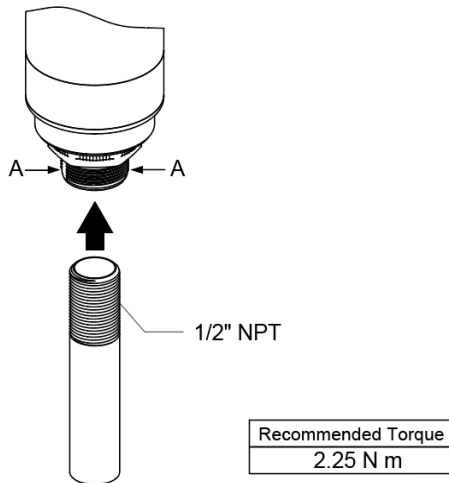
■ **WC** Mounting Dimensional Drawing(M30×1.5 Installation)

[mm]

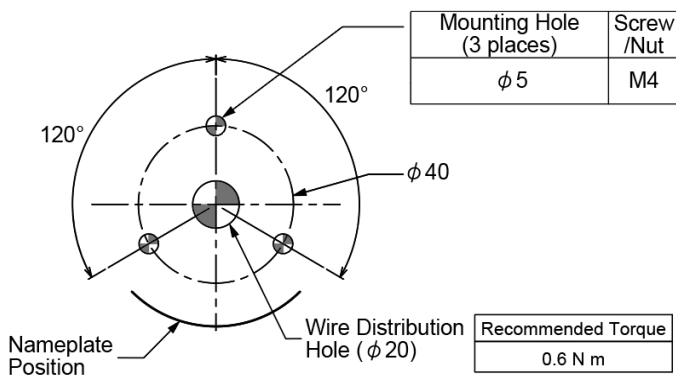


■ **LR6** - **WC** Installation Figure(1/2" NPT Installation Figure)

While holding part 'A', install the 1/2" NPT.  
Failure to comply may result in damage.

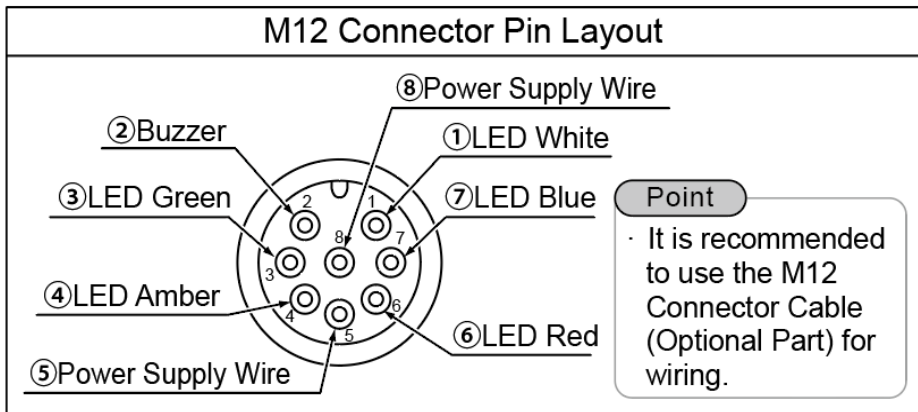


■ **WM** Mounting Dimensional Drawing (Only for LR6)

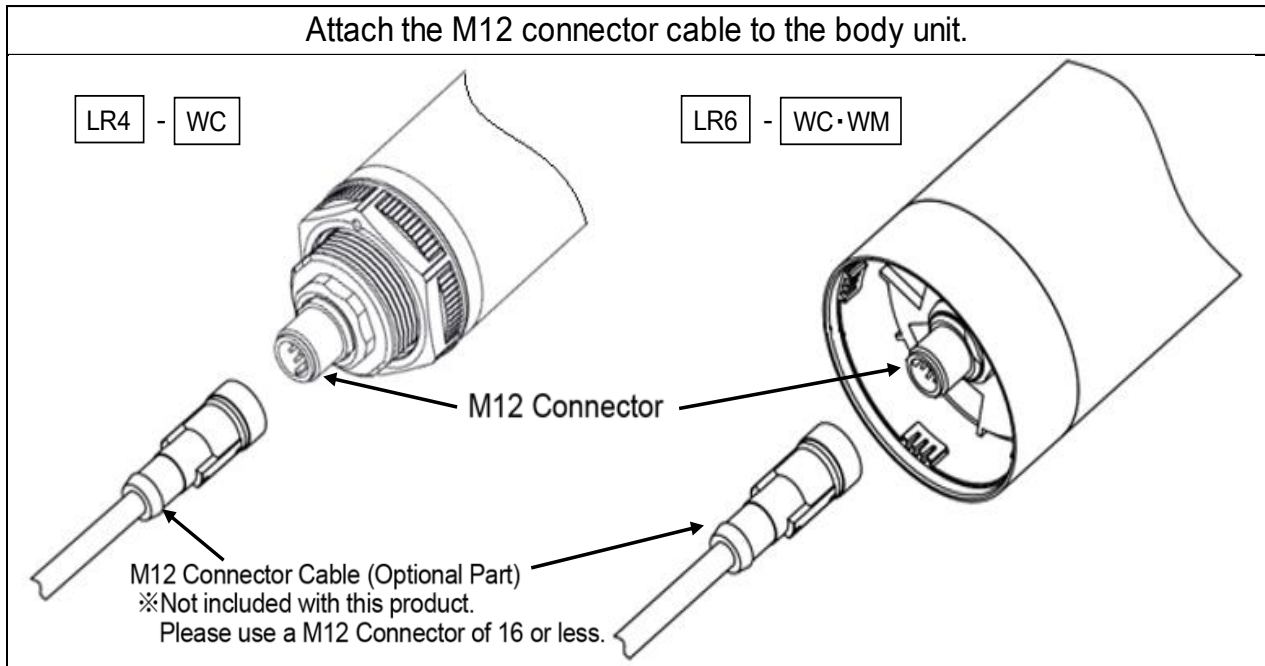


[5.Wiring Diagram]

5.1 M12 Connector Pin Layout  
8-pin male(plug)



5.2 Attach the M12 connector with cable to the body unit.



5.3 Optional Parts

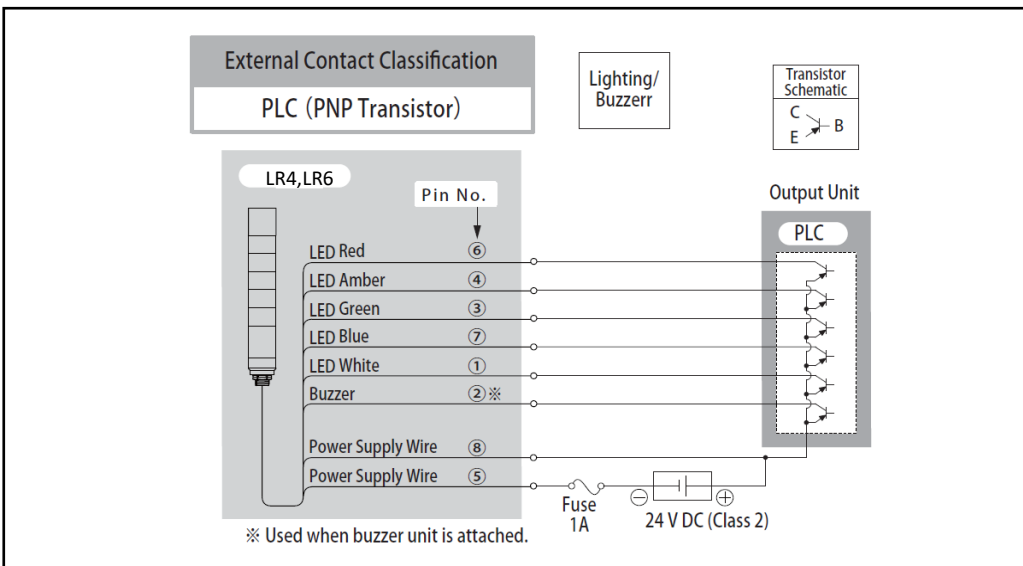
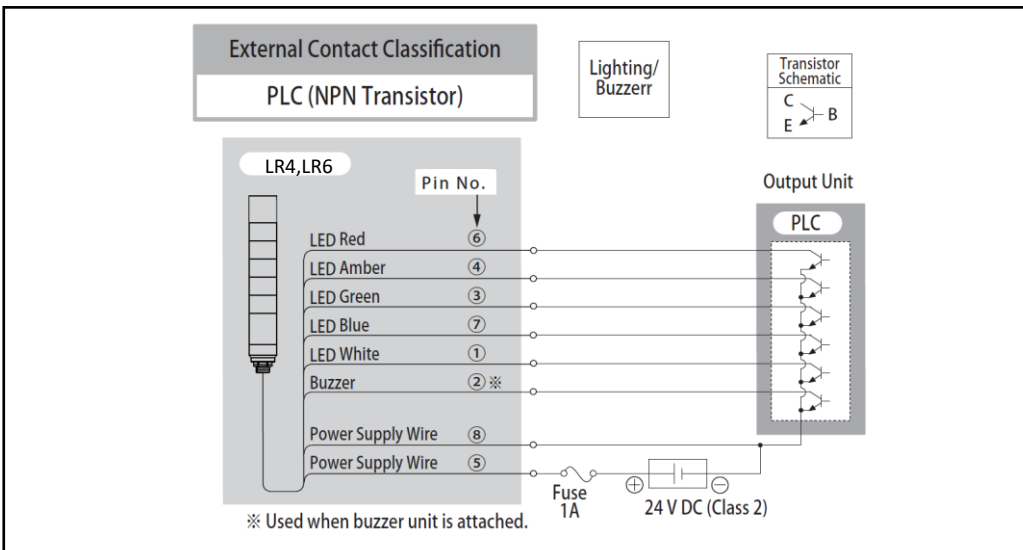
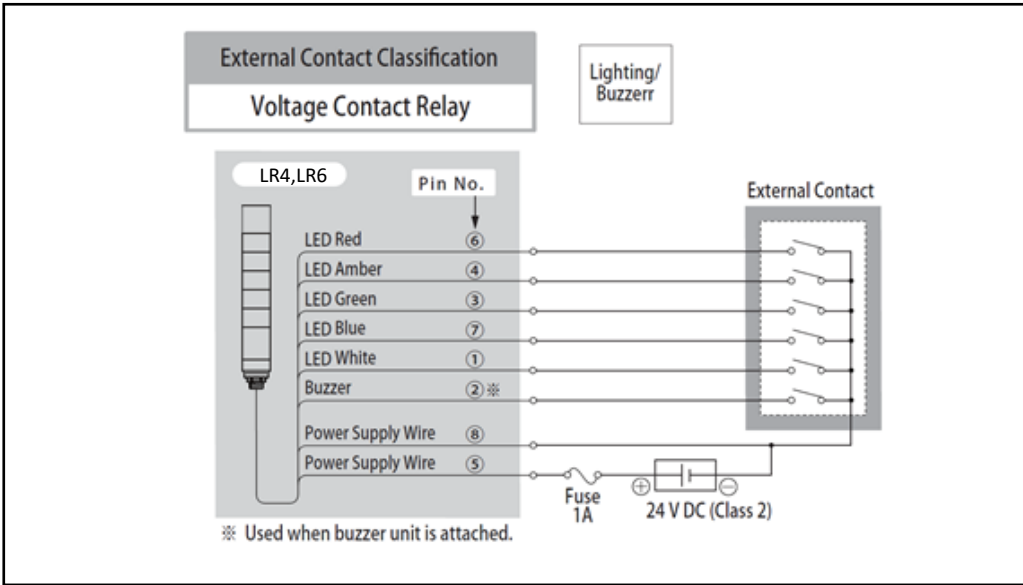
**Optional Parts**

M12 Connector with Cable  
(Manufactured by the OMRON Corp.)

SZ-120-02 / -05 / -10  
(Lengths : 2m , 5m , 10m)

PIN No.	Wire Color
①	White
②	Brown
③	Green
④	Yellow
⑤	Gray
⑥	Pink
⑦	Blue
⑧	Red

### 5.4 Wiring Example



### 5.5 External Contact Capacity

$I_S$ : Current Capacity  $V_S$ : Withstand Voltage  $I_L$ : Leakage Current

Rated Load Voltage		24VDC			
LED Unit (1 Tier)	Signal Wire Current (Max.) / Voltage	45mA / Power Supply Voltage			
	Recommended Contact Capacity	$I_S \geq 100\text{mA}$ $V_S \geq 35\text{VDC}$			
Buzzer	Signal Wire Current (Max.) / Voltage	250mA / Power Supply Voltage			
	Recommended Contact Capacity	$I_S \geq 300\text{mA}$ $V_S \geq 35\text{VDC}$			
Power Supply	Current Consumption (Max.)	250mA (※1)			
	Signal Wire Current (Max.) / Voltage	$I_S \geq 500\text{mA}$ $V_S \geq 35\text{VDC}$			
Inrush Current	Signal Wire	LED	None	Buzzer	None (※2)
	Power Supply Wire	None (※3)			
Leakage Current		$I_L \leq 0.1\text{mA}$			

※1・・・Measured with five LED tiers and buzzer operating.

※2・・・Not exceeding Maximum Signal Wire Current Ratings

※3・・・Signal wire current (Max.) not exceeding the sum total.

#### ■ Recommended Fuse

Fuse Rated Current	250 V / 1A (5x20mm Fast-Acting Glass Body Cartridge Fuse )
--------------------	--