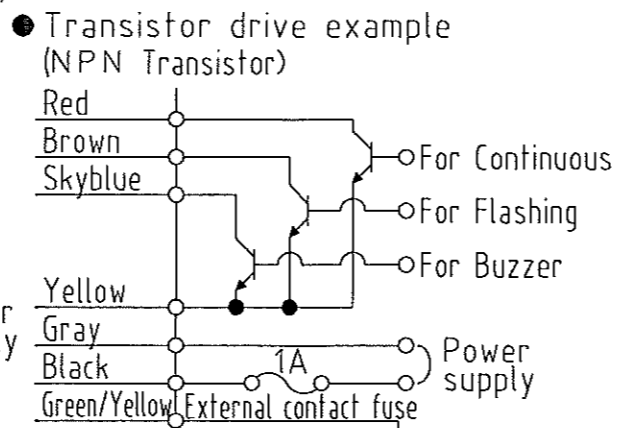
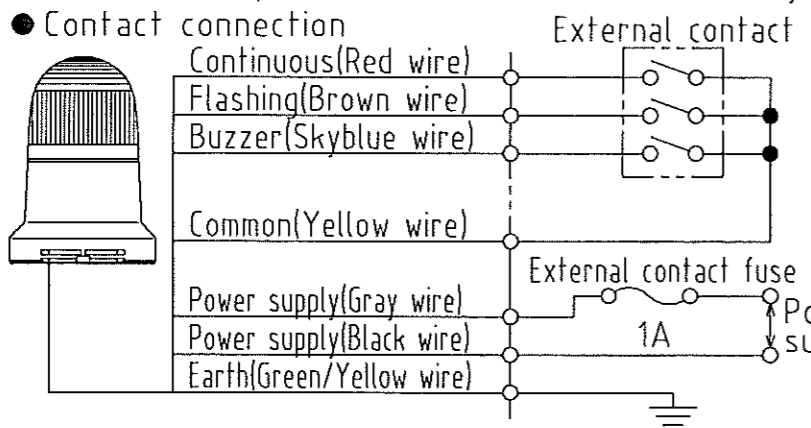


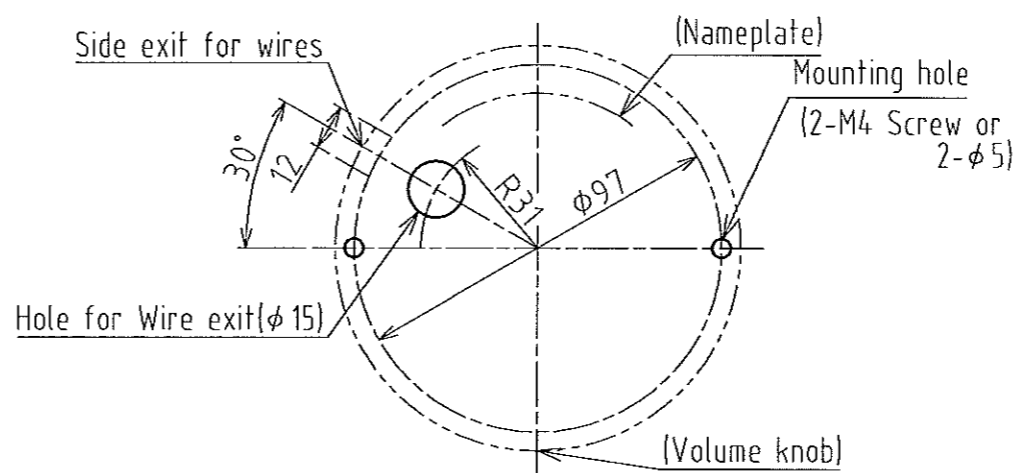
Dimensions

Wiring Example (Power supply wire:UL1007/AWG20 (24V)  
UL1015/AWG18 (120V/230V)  
Signal wire:UL1007/AWG22  
Earth wire:UL1015/AWG18(120V/230V only)

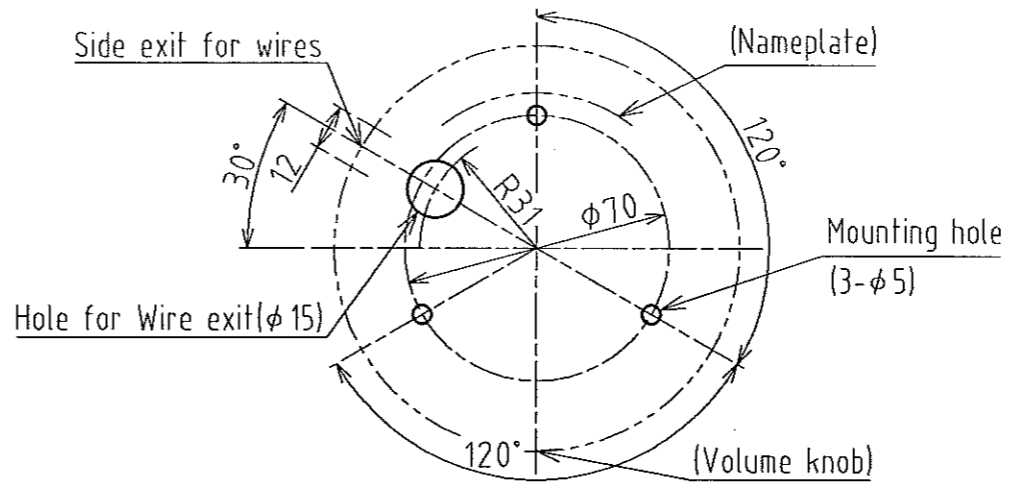


- [Note]
1. If the thickness of a mounting board is more than Max. you need prepare the screws which is longer. In case of three points installation, please choose the tapping screws with which the length which enters to the case is 15mm or less.
  2. Make sure end of unused wires are insulated by tape or any other suitable tape.
  3. Use "Class II Circuit" for the power supply source
  4. Concerning fuse and fuse-holder, be sure to use the products authorized by UL Inc.
  5. Use the fuse conforming to the rated current of the machine which you install product.(Example:Class J type fuse)

指定公差 Angular tolerance ± [°]	寸法公差 Dimensional tolerance ± [mm]	符号 Sym.	年月日 Date	訂正履歴 Revisions	記印 Sgn.	検印 Chk.	承認 App.
短辺長 Length of short side	6 30 120 300 1000	△-					
精 f	0.05 0.1 0.2 0.4 0.6	△-					
中 m	0.1 0.3 0.5 0.7 1	△-					
粗 c	0.3 0.5 1 1.2 2	△-					

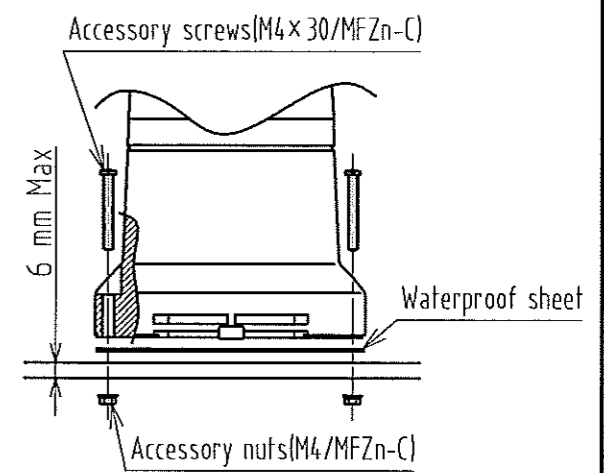


Two points installation case

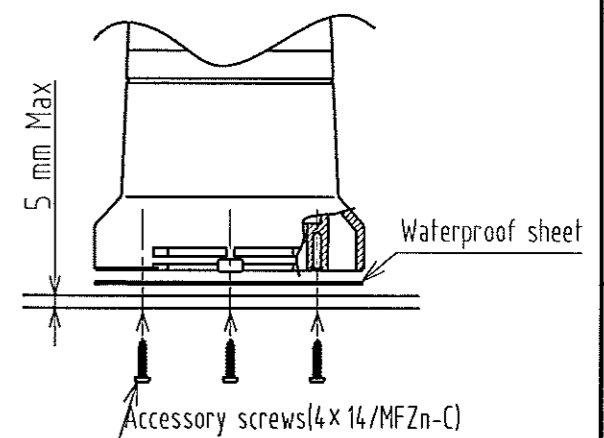


Three points installation case

Mounting hole template

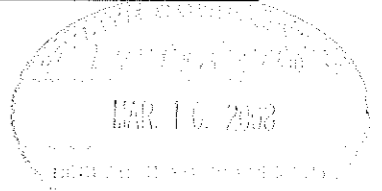


Two points installation case



Three points installation case

How to installation



7	Volume knob	-	(1)	ABS/Light gray	PEW-...B only
6	Waterproof sheet	-	1	Special rubber/Black	
5	O-ring	-	1	NBR/Black	
4	LED P.C.B. assembly	-	1	Red, Yellow, Green, blue	
3	Reflector	-	1	ABS/Aluminum vacuum evaporation	
2	Dome	-	1	AS/Red, Yellow, Green, blue	
1	Case	-	1	ABS/Light gray	
番号 No.	部品名 Part Name	品目コード Part No.	数量 Qty.	材料 & 寸法 & 処理 Material & Size & Finish	記事 Remarks

設計 Dgn.by	製図 Drn.by	検図 Chk.by	承認 App.by	署名 Name	機種名 Model	特注 No. S.P.No.
M.Tsugita	Y.Nagayama		M.Yoshida		PEW(-B) (UL Standard)	
29.Jul.'03	26.Jun.'04		28 Jun '04		品目コード Part No.	
三角法 3rd Angle P.	単位 Unit mm	尺度 Scale		株式会社 パトライト PATLITE Corporation	図番 Drawing No.	
					PEW-.-A18B(UL)-2/2	