

SPECIFICATIONS

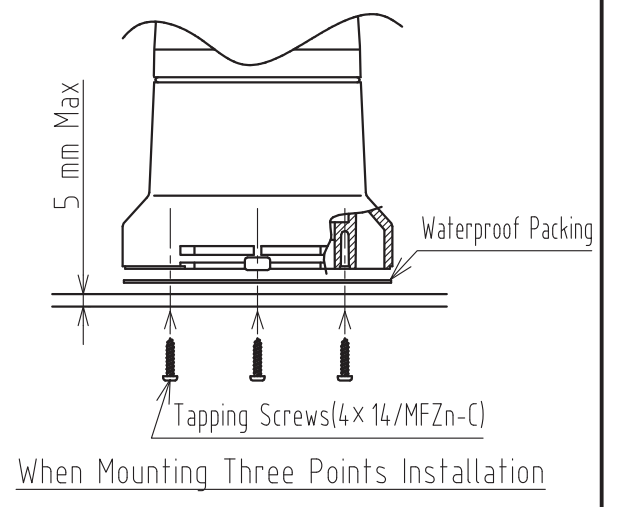
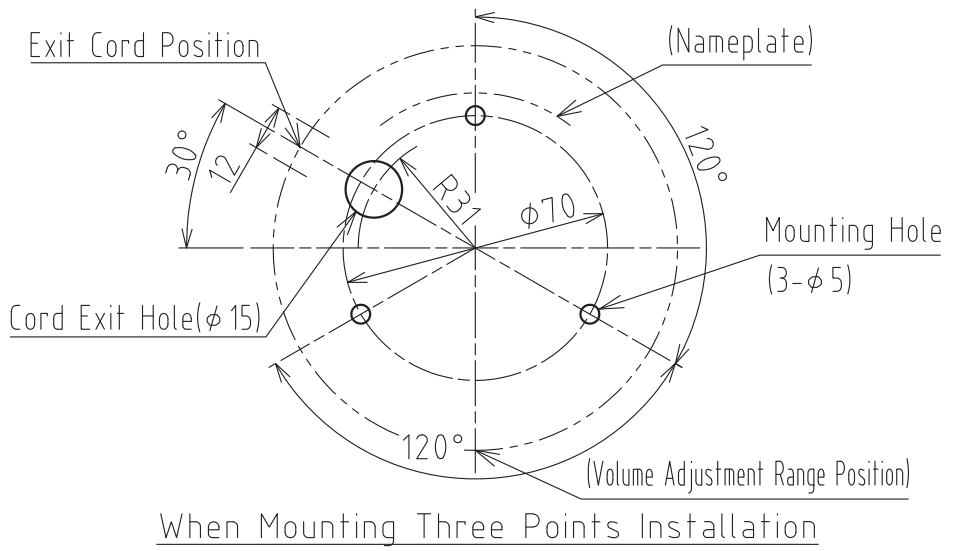
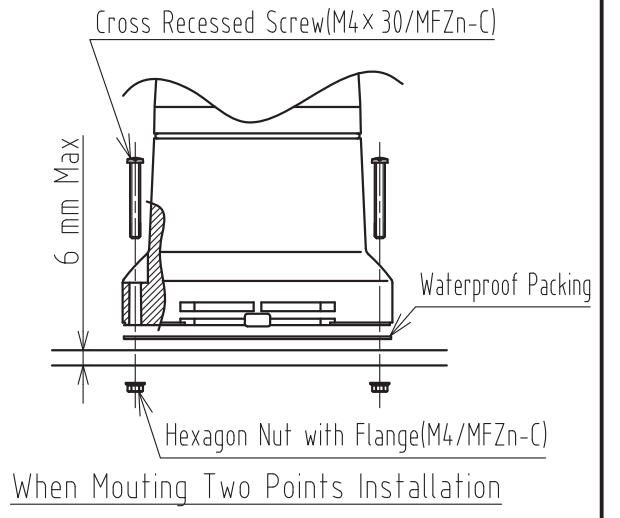
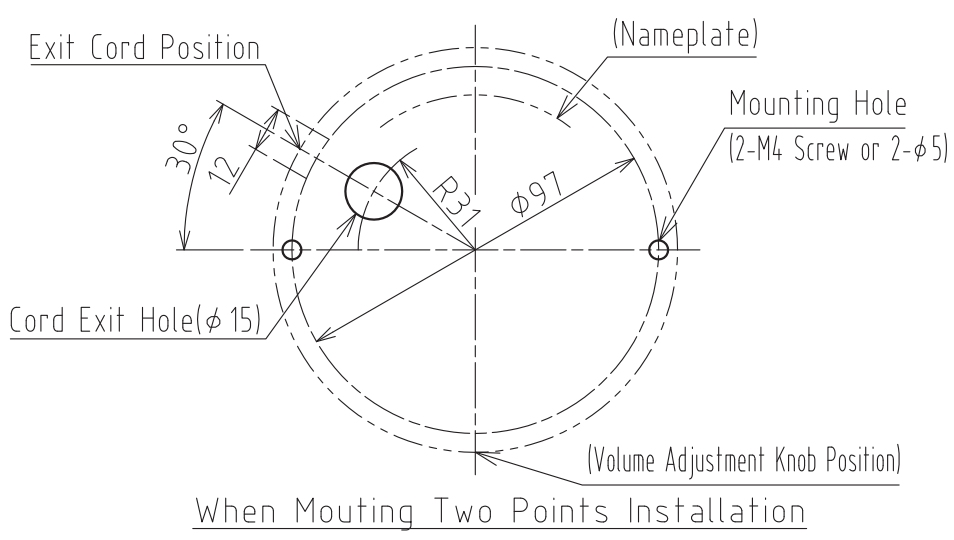
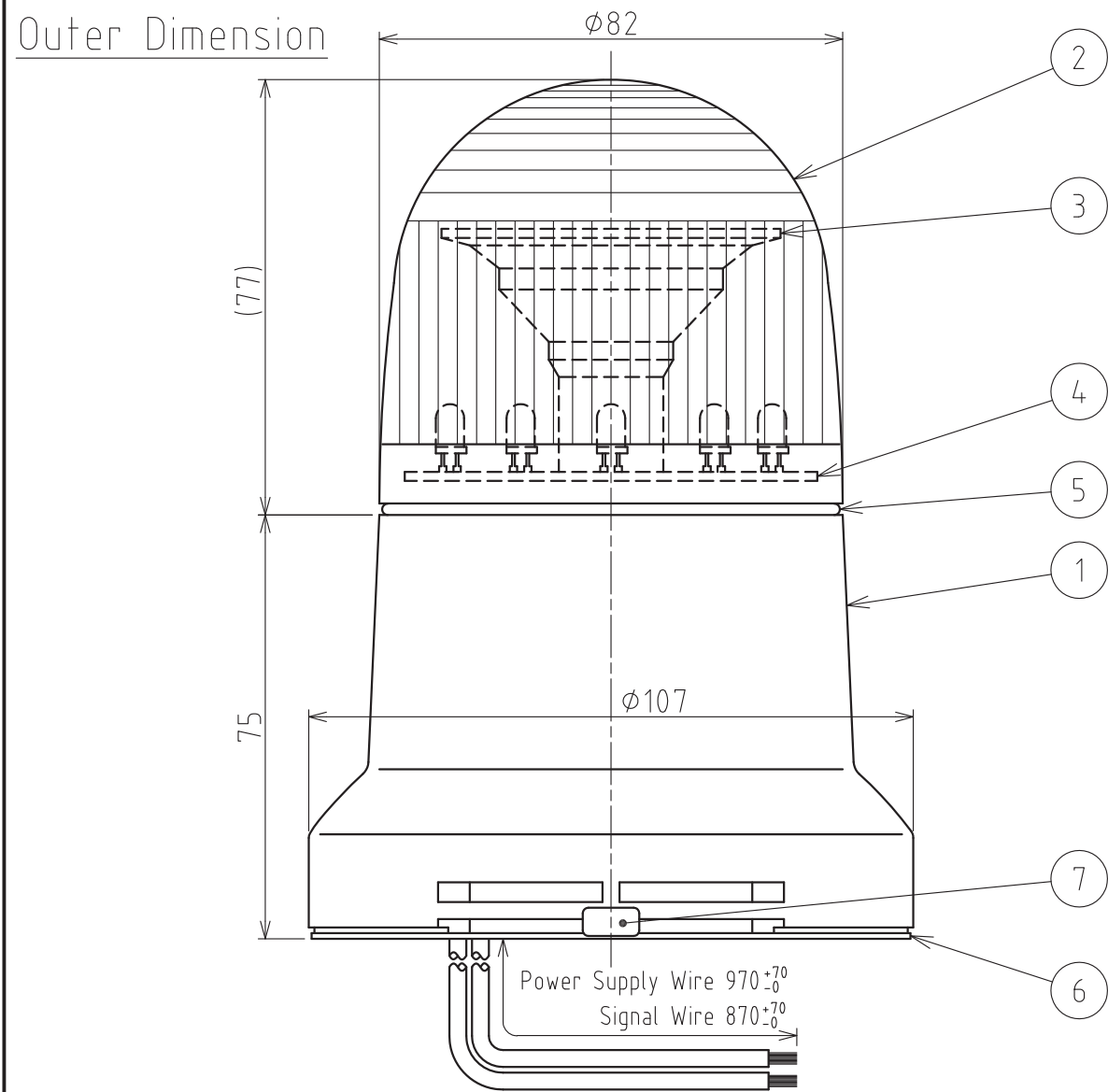
[General Specifications]

Model	PEW-24A(B)	PEW-120A(B)	PEW-230A(B)	
Rated Voltage	24V DC (No Polarity) 24V AC (50 / 60 Hz)	120V AC (50Hz / 60Hz)	230V AC (50Hz / 60Hz)	
Operating Voltage Range	20~30V DC 24V AC ± 10%	Rated Voltage ± 10%		
Signal Wire Current	Typ.	Red・Amber: 55mA Green・Blue: 65mA Buzzer: 40mA		
	Max.	Red: 69mA Amber: 63mA Green・Blue: 80mA Buzzer: 50mA		
Rated Power Consumption	Typ.	Without Buzzer 1.5W With Buzzer 2.7W	Without Buzzer 3.5W With Buzzer 5.2W	Without Buzzer 3.8W With Buzzer 5.5W
	Standby Power Consumption	-	1.4W	1.5W
Inrush Current	2.5A	1A	0.5A	
Flashing Rate	Low: 60 Flashes Per Minute Middle: 120 Flashes Per Minute High: 180 Flashes Per Minute (Adjust the flash rate by changing the switch.)			
Operating Ambient Temperature	- 30 °C ~ + 60 °C			
Operating Ambient Humidity	Less than 90% (No condensation)			
Mounting Location	Indoors			
Mounting Direction	Upright ,Inverted & Sideways			
Protection Rating	IP54			
Environmental Condition	Upright Direction Mounting on Flat Surface Only			
Vibration Resistance	45 m/s ²			
Insulation Resistance	More than 1MΩ at 500VDC between the terminals and the chassis			
Withstand Voltage	Applied for 1min between terminals and chassis without breaking insulation			
	500V AC	1000V AC	1500V AC	
Sound Pressure Level	(Adjustable) Max: 85dB/m or more Min: 70dB/m or less			
Environmental Conditions	Front direction from the Buzzer Aperture center / at 1m / A-weighted			
Luminous Intensity	Red: 3500mcd Amber: 2100mcd Green: 3700mcd Blue: 1600mcd			
Mass (Tolerance ±10%)	Without Buzzer 0.32kg	Without Buzzer 0.52kg		
	With Buzzer 0.34kg	With Buzzer 0.54kg		
Dimensions	Refer to the Outer Dimension Drawing			
Conformity Standards	<ul style="list-style-type: none"> •EMC Directive (EN 61000-6-4, EN 61000-6-2) •RoHS Directive (EN 50581) •UL 508, CSA-C22.2 No.14 	<ul style="list-style-type: none"> •UL508, CSA-C22.2 No.14 		
Remarks	<ul style="list-style-type: none"> •Conforms to the CE requirements 	<ul style="list-style-type: none"> •There are no contents of controlled substances exceeding the threshold for the RoHS Directive. 		
	<ul style="list-style-type: none"> •UL Recognized Component (File No.E215660) <div style="text-align: center;"> <p>PEW - A - </p> </div>			

No. PEW - 24A - W18E - 1_2

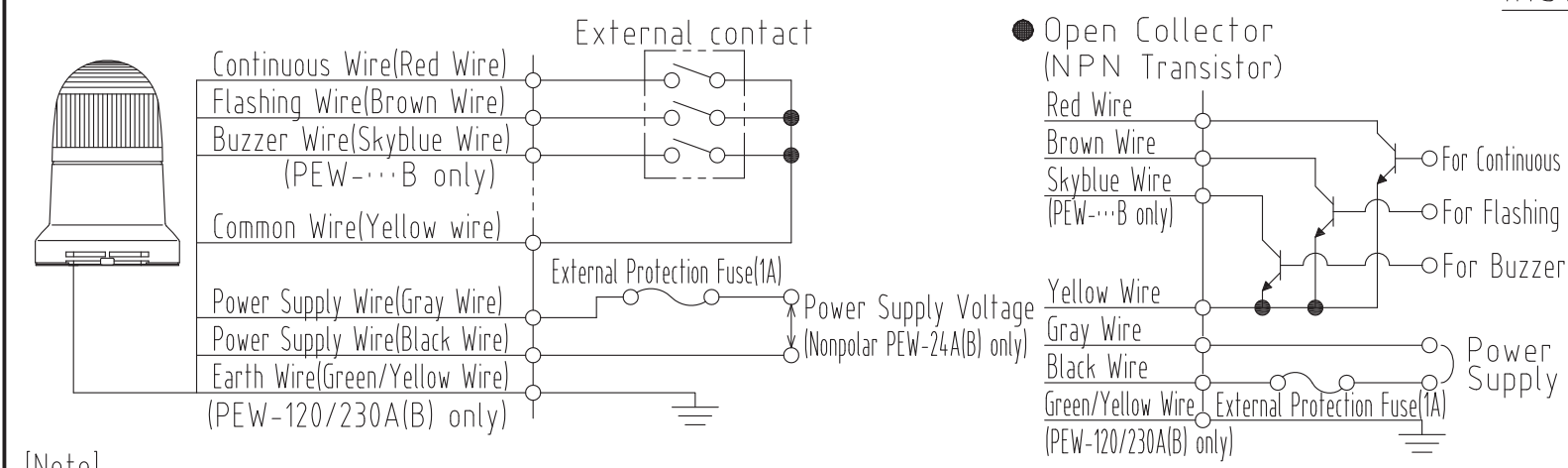
PATLITE Corporation

生産終了
Production end



Wiring Example

Power Supply Wire : UL1007/AWG20 (PEW-24A(B))
 UL1015/AWG18 (PEW-120/230A(B))
 Signal Wire : UL1007/AWG22
 Earth Wire : UL1015/AWG18(PEW-120/230A(B) only)



Installation Dimension Drawing

7	Volume Adjustment Knob	-	(1)	ABS/Light Gray	PEW-...B only
6	Waterproof Packing	-	1	Special Rubber/Black	
5	O-ring	-	1	NBR/Black	
4	LED PCB Assembly	-	1	Red, Yellow, Green, Blue	
3	Reflector	-	1	ABS/Aluminum Vacuum Evaporation	
2	Globe	-	1	AS/Red, Yellow, Green, Blue	
1	Case	-	1	ABS/Light Gray	
番号 No.	部品名 Part Name	品目コード Part No.	数量 Qty.	材料 & 寸法 & 処理 Material & Size & Finish	記事 Remarks

- [Note]
- If the thickness of a mounting board is more than Max. you need prepare the screws which is longer. In case of three points installation, please choose the tapping screw with which the length which enters to the case is 15mm or less.
 - Insulate all unused wires with insulation tape, heat-shrink tubing, etc.
 - Use a "Class 2" power supply.(For PEW-24A(B) only)

Outer Dimension Drawing
 株式会社 パトライト
 PATLITE Corporation
 PEW-24A-W18E-2_2