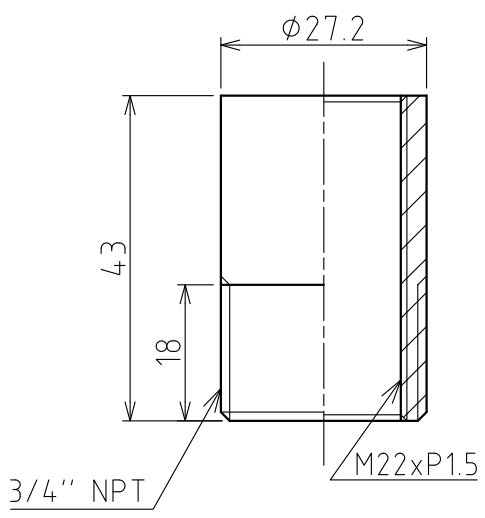
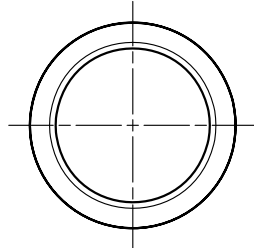


	1	2	3	4								
A	General tolerance				Angular tolerance ±[°]	Dimensional tolerance ±[mm]	Sym.	Date	Revisions	Sgn.	Chk.	App.
	Length of short side	~	~	~	100	~	6	30	120	300	1000	
	f	1	0.5	0.3	0.1	f	0.05	0.1	0.2	0.4	0.6	
	v	3	1.5	1	0.5	c	0.3	0.5	1	1.2	2	



No.		Part Name			Part No.	Qty.	Material & Size & Finish		Remarks
Dgn.by	Drn.by	Chk.by	App.by	Name	Model	SZ-904		S.P.No.	
Specifications					Part No.				
3rd Angle P.	Unit mm	Scale 1:1	PATLITE Corporation			Drawing No. SZ-904-A18A			

A  
B  
C  
D  
E  
F

A  
B  
C  
D  
E  
F

1 2 3 4