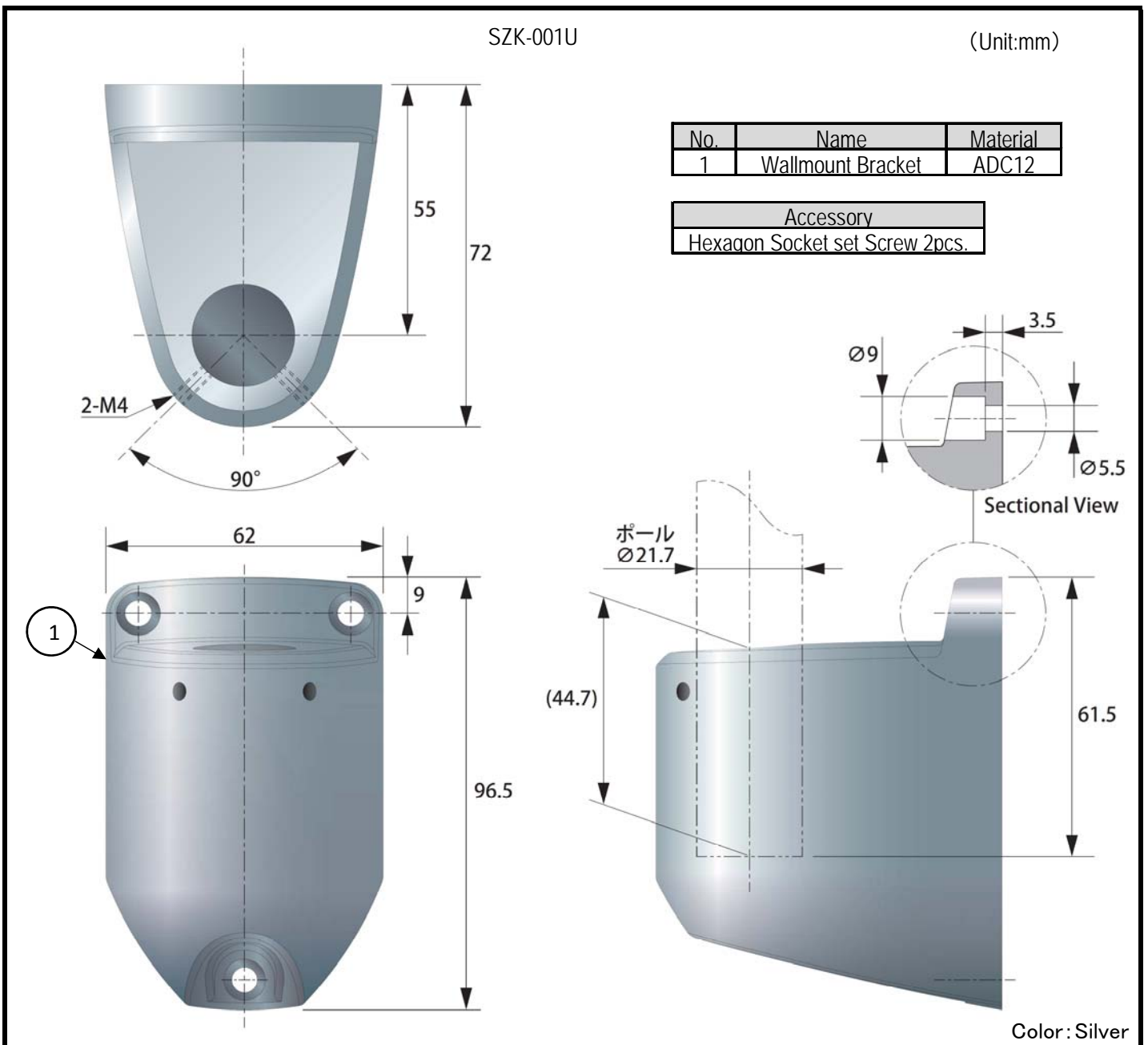


SPECIFICATIONS

1.General Specifications

Model	SZK-001U
Applicable Models	List in the website http://www.patlite.com/
Applicable Pole	
Mounting Location	Indoor Only
Protection Rating	IP20(Product Mounting)
Mass (Tolerance $\pm 10\%$)	0.19kg(Accessory Remove)
Outer Dimensions	Refer to the 2.Outer Dimensions
Remarks	There are no contents of controlled substances exceeding the threshold for the RoHS

2.Outer Dimensions



SZK-001-W18B-1_2

PATLITE Corporation

3.Mounting Dimensional Drawing

