

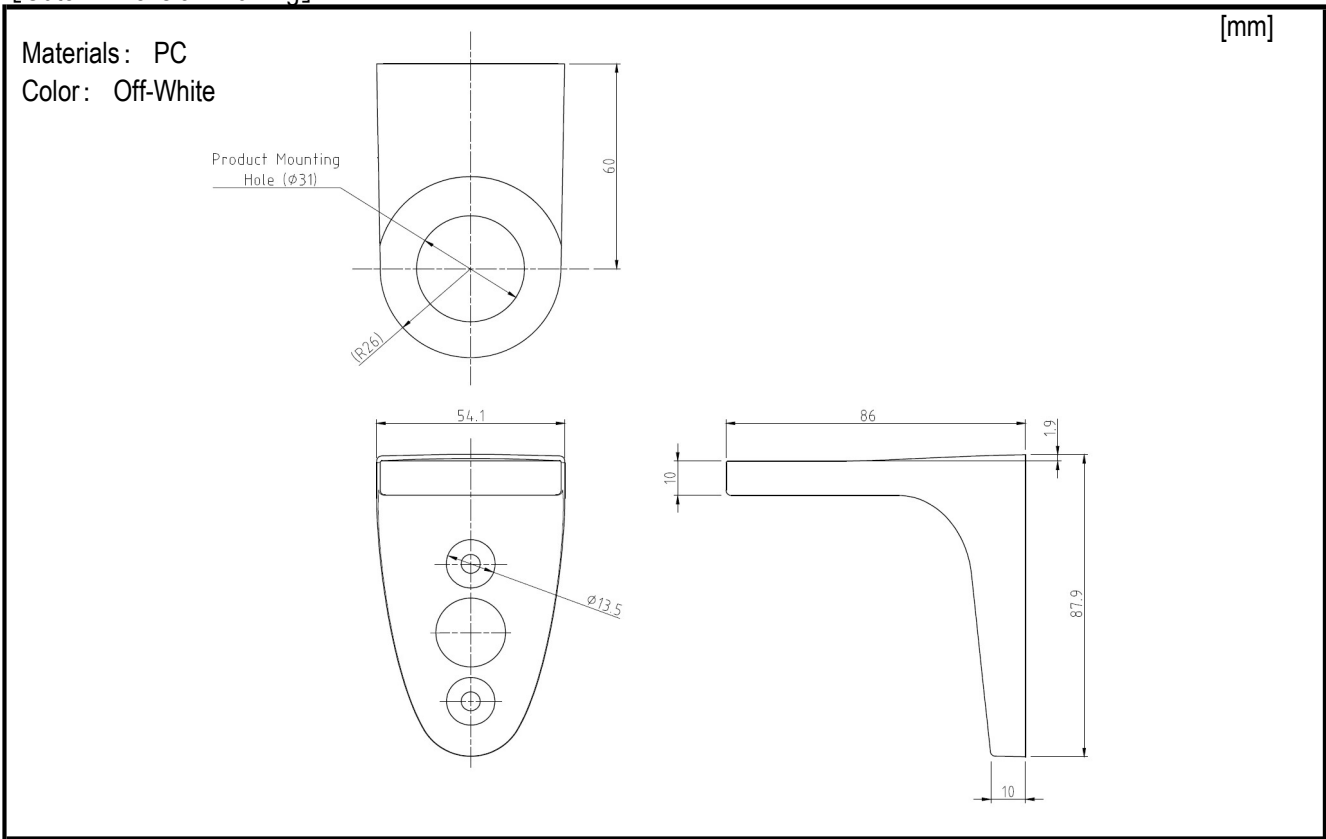
Drawing No.	Rev.	Page
SZK-005-W18	A	1/1

<h1>SPECIFICATIONS</h1>		

[General Specifications]

Product Name	Wall Mounting Bracket
Model	SZK-005W
Mounting Location	Indoor
Mounting Direction	Uplight
Mass (Tolerance $\pm 10\%$)	0.05kg
Outer Dimension	Refer to [Outer Dimension Drawing]
Remarks	There are no contents of controlled substances exceeding the threshold for the RoHs Directive.

[Outer Dimension Drawing]



[Mount Dimension Drawing]

