

[2. Model Number Configuration]

S F 1 0 - M 1 K T B - R

■ Rated Voltage

M1 : 12-24V DC
M2 : 100-240V AC

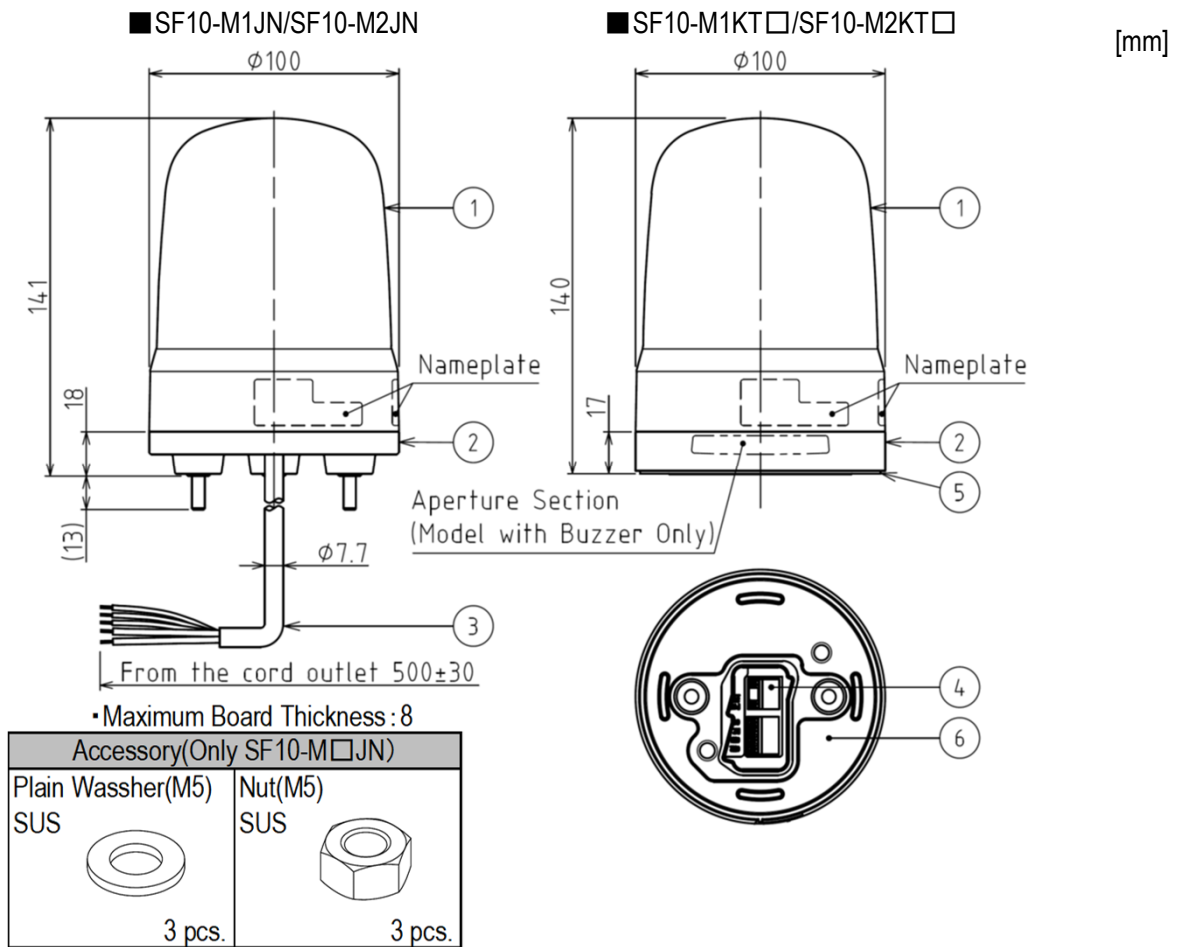
■ Installation · Wiring · Buzzer

JN : 3-point Bolt Leg Mounting · Cabtyre Cord · No Buzzer
KTN : 2-point Hole Type Mounting · Terminal block · No Buzzer
KTB : 2-point Hole Type Mounting · Terminal block · With Buzzer

■ LED Unit Color

R : Red
Y : Amber
G : Green
B : Blue

[3. Outer Dimensions]

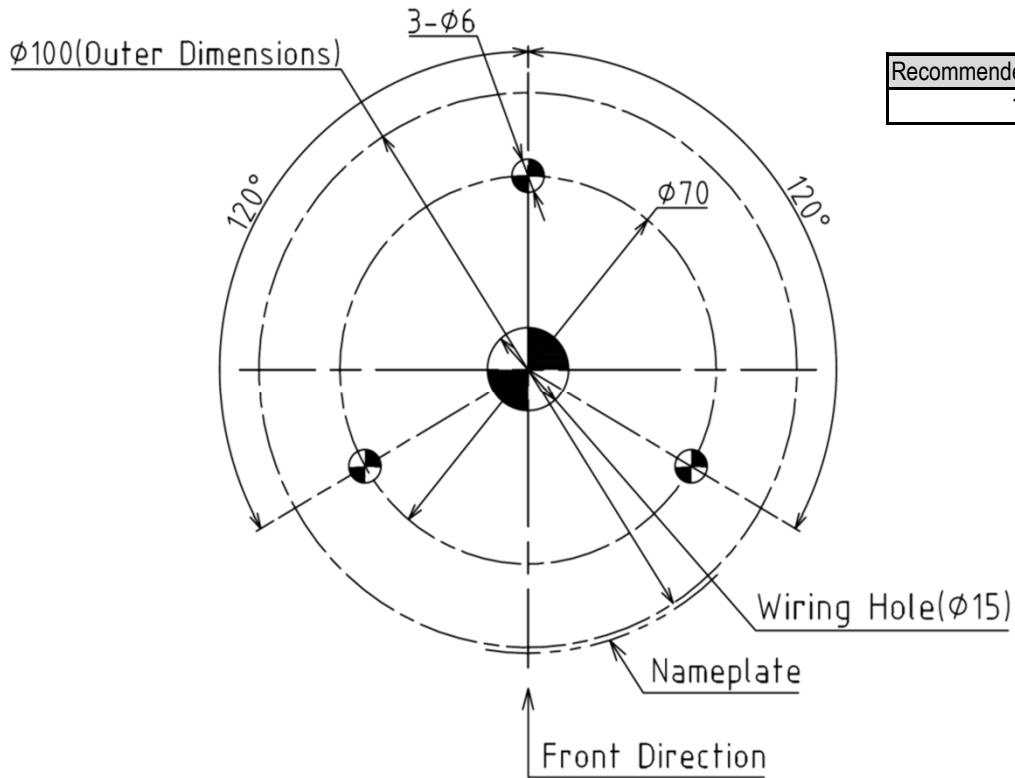


Number	Name	Material · Specification
1	Globe	PC
2	Case	PC
3	Cabtyre Cord	PVC, M1JN : AWG22×5, M2JN : AWG18×2+AWG24×3
4	Terminal block	LCP GF, Applicable wire size Solid Wire : 0.13-1.5mm ² , Stranded Wire : AWG28-14
5	Mounting Bracket	PC
6	Waterproof Sheet	Silicone

[4.Mounting Dimensal Drawing]

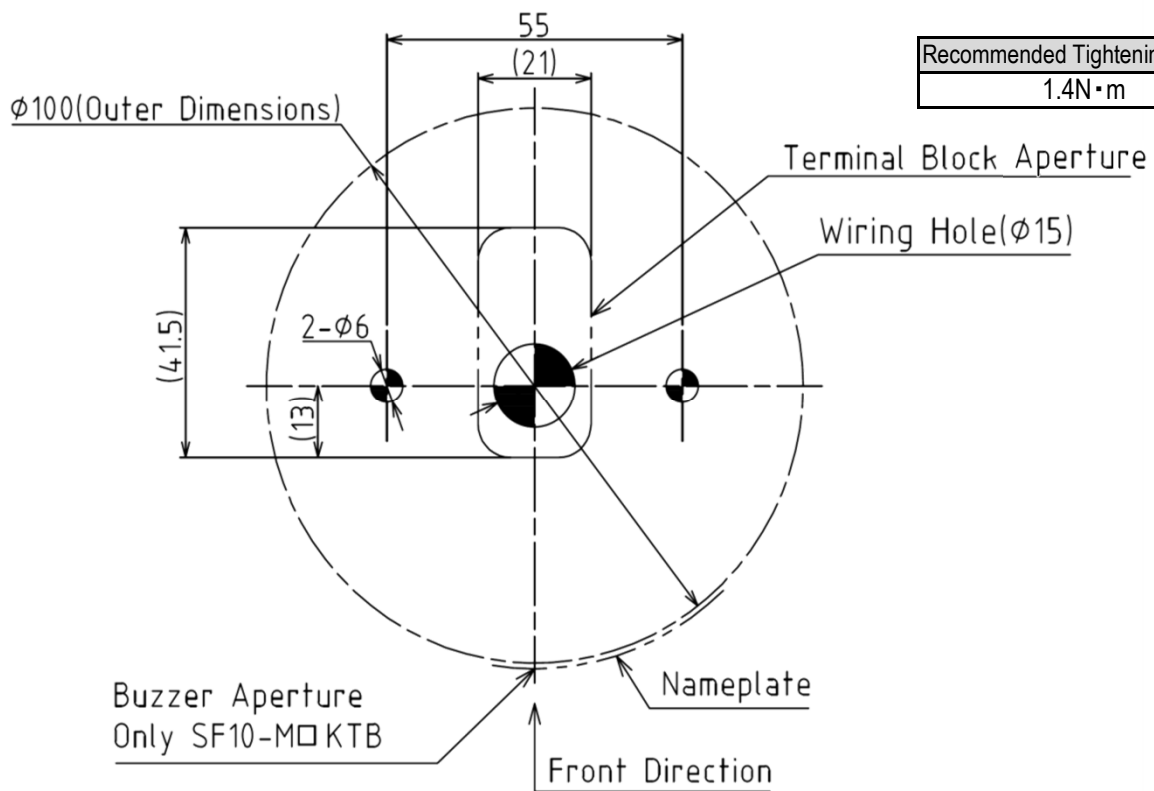
■ SF10-M1JN/SF10-M2JN

[mm]



Recommended Tightening Torque
1.4N·m

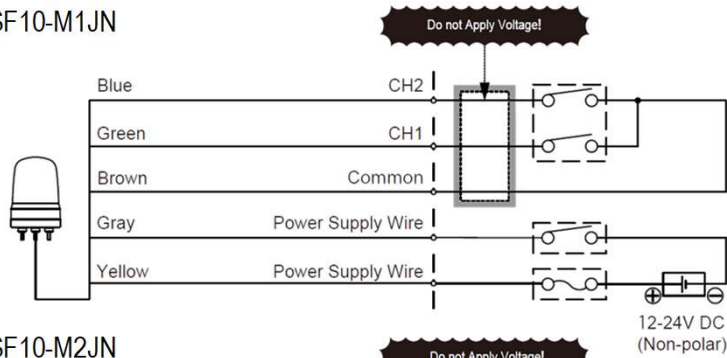
■ SF10-M1KT□/SF10-M2KT□



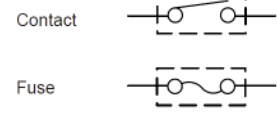
Recommended Tightening Torque
1.4N·m

[5.Wiring Diagram]

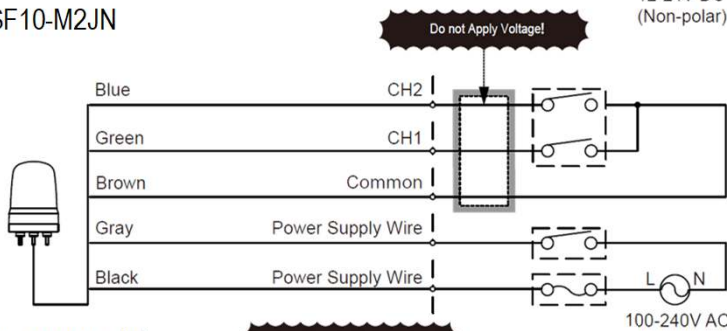
■ SF10-M1JN



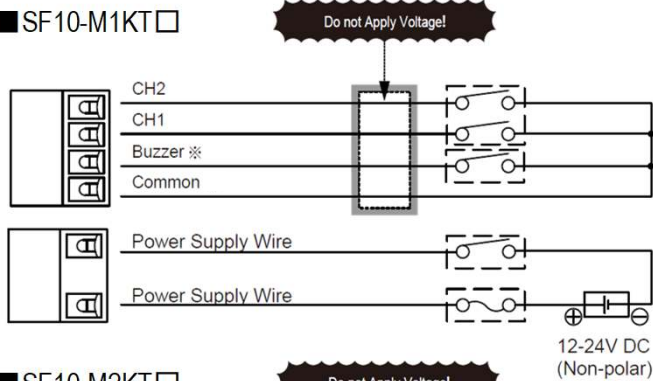
Symbol



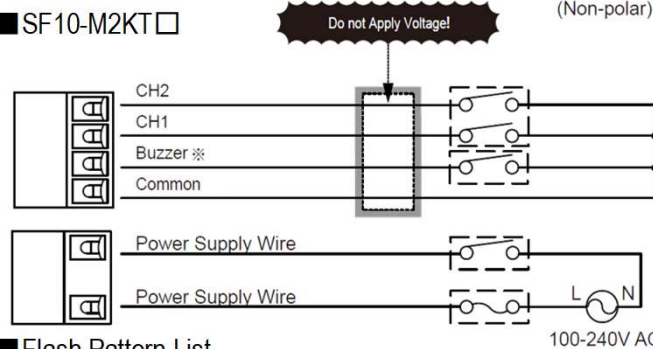
■ SF10-M2JN



■ SF10-M1KT □



■ SF10-M2KT □



※For No Buzzer Model, do not require wiring.

■ Flash Pattern List

Rotary SW	Wiring [CH1/CH2]			
	CH1 OFF/CH2 OFF	CH1 ON/CH2 OFF	CH1 OFF/CH2 ON	CH1 ON/CH2 ON
Group 0	Turn off	Rotation(120R.P.M.)	Triple Flash	Dim. Rotation(120R.P.M.)
Group 1	Turn off	Rotation(180R.P.M.)	Triple Flash	Dim. Rotation(180R.P.M.)
Group 2	Turn off	Triple Flash	Pulse	Dim. Triple Flash
Group 3	Turn off	Rotation(60R.P.M.)	Rotation(120R.P.M.)	Rotation(180R.P.M.)
Group 4	Turn off	Single Flash	Double Flash	Triple Flash
Group 5	Triple Flash	Dim. Triple Flash	Half Triple Flash	Dim. Half Triple Flash
Group 6	Pulse	Dim. Pulse	Half Pulse	Dim. Half Pulse
Group 7	Rotation(60R.P.M.)	Dim. Rotation(60R.P.M.)	Half Rotation(60R.P.M.)	Dim. Half Rotation(60R.P.M.)
Group 8	Rotation(120R.P.M.)	Dim. Rotation(120R.P.M.)	Half Rotation(120R.P.M.)	Dim. Half Rotation(120R.P.M.)
Group 9	Rotation(180R.P.M.)	Dim. Rotation(180R.P.M.)	Half Rotation(180R.P.M.)	Dim. Half Rotation(180R.P.M.)

※Half : The front of the product light up.