

[2.Model Number Configuration]

S L 1 0 - M 1 K T B - R

<p>■ Rated Voltage</p> <p>M1 : 12-24V DC M2 : 100-240V AC</p>	<p>■ Installation · Wiring · Buzzer</p> <p>JN : 3-point Bolt Leg Mounting · Cabtyre Cord · No Buzzer KTN : 2-point Hole Type Mounting · Terminal block · No Buzzer KTB : 2-point Hole Type Mounting · Terminal block · With Buzzer</p>	<p>■ LED Unit Color</p> <p>R : Red Y : Amber G : Green B : Blue</p>
--------------------------------------------------------------------------	-------------------------------------------------------------------------------------------------------------------------------------------------------------------------------------------------------------------------------------------------------	----------------------------------------------------------------------------------------

[3.Outer Dimensions]

■ SL10-M1JN/SL10-M2JN

■ SL10-M1KT□/SL10-M2KT□

[mm]

Aperture Section (Model with Buzzer Only)

From the cord outlet 500±30
• Maximum Board Thickness : 8

Accessory(Only SL10-M□JN)	
Plain Washer(M5) SUS 3 pcs.	Nut(M5) SUS 3 pcs.

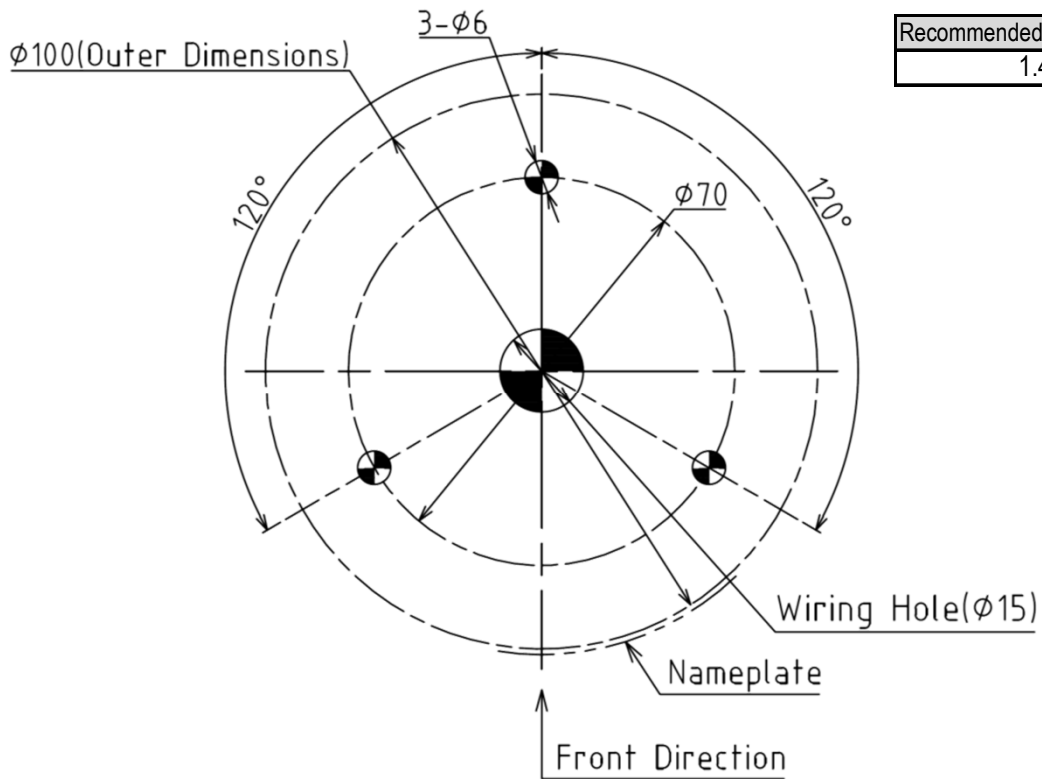
Number	Name	Material · Specification
1	Globe	PC
2	Case	PC
3	Cabtyre Cord	PVC, M1JN : AWG22×5, M2JN : AWG18×2+AWG24×3
4	Terminal block	LCP GF, Applicable wire size Solid Wire : 0.13-1.5mm ² , Stranded Wire : AWG28-14
5	Mounting Bracket	PC
6	Waterproof Sheet	Silicone

Drawing No.	Rev.	Page
SL10-M1JN-W18	A	3 / 4

[4.Mounting Dimensal Drawing]

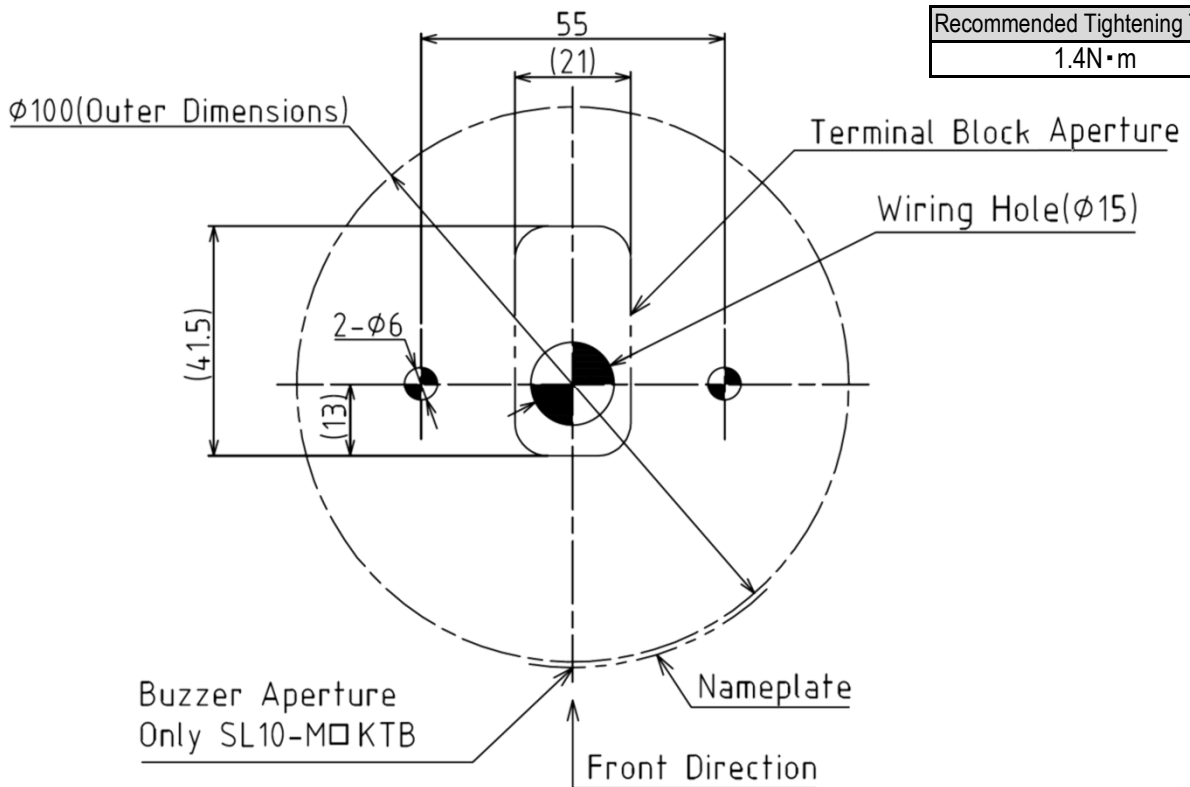
[mm]

■ SL10-M1JN/SL10-M2JN



Recommended Tightening Torque
1.4N·m

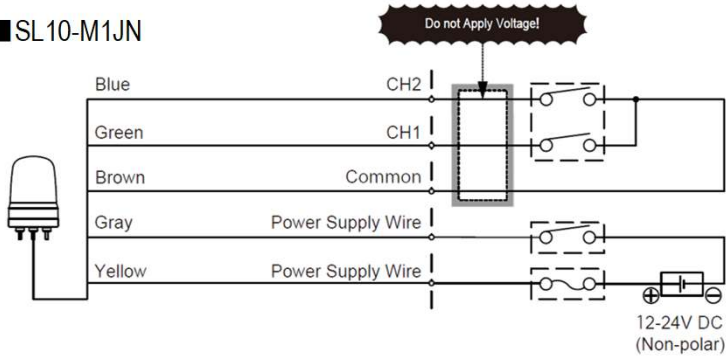
■ SL10-M1KT□/SL10-M2KT□



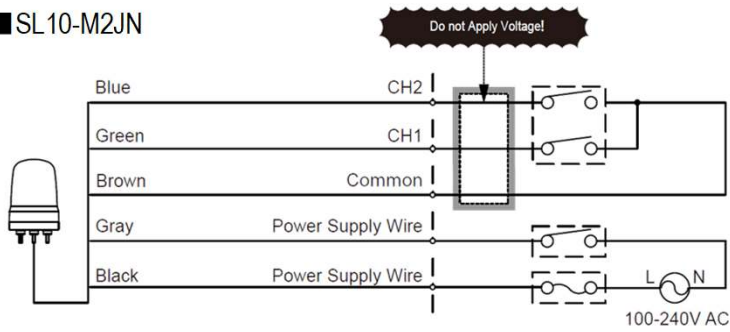
Recommended Tightening Torque
1.4N·m

[5.Wiring Diagram]

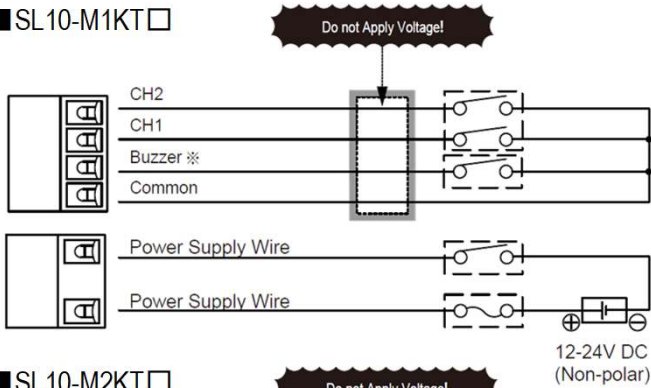
■ SL10-M1JN



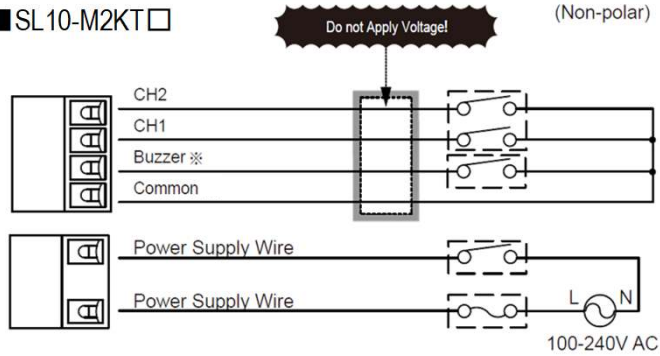
■ SL10-M2JN



■ SL10-M1KT □



■ SL10-M2KT □



※For No Buzzer Model, do not require wiring.

■ Flash Pattern List

Wiring 【CH1/CH2】			
CH1 OFF/CH2 OFF	CH1 ON/CH2 OFF	CH1 OFF/CH2 ON	CH1 ON/CH2 ON
Turn off	Lighting	Blinking	Triple Flash