

Drawing No.	Page
WDR-LE-Z2-W18F	1 / 5

SPECIFICATIONS

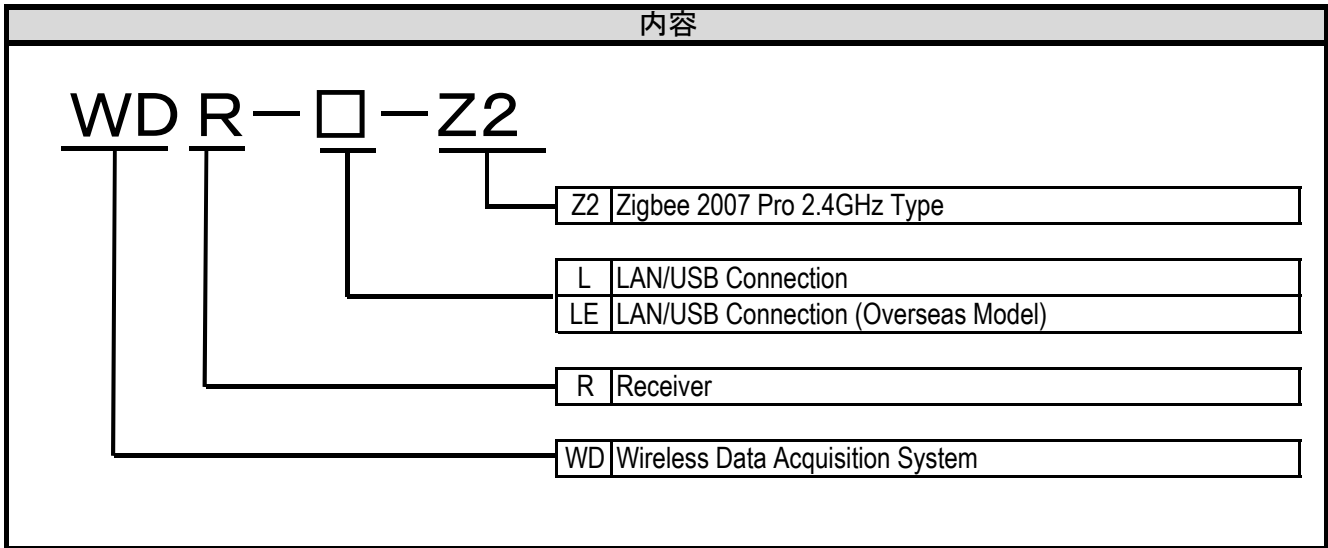
Product Name: Wireless Data Acquisition System

Receiver

Model: WDR-L(E)-Z2

PATLITE Corporation

1. Model



2. General Specifications

Item	Specifications		
	WDR-L-Z2	WDR-LE-Z2	
Rated Voltage	DC24V		
Accessory AC adaptor *1	AC100V	—	
Operating Voltage Range	DC21.6V to 26.4V		
Accessory AC adaptor *1	AC90V to AC110V	—	
Current Consumption	65mA±15mA (Other than the AC adaptor)		
Operating Temperature Range *2	-10°C to 60°C	No condensation	
Accessory AC adaptor *1	0°C to 40°C	No condensation	—
Operating Ambient Humidity	Less than 85%RH	No condensation	
Storage Ambient Temperature *2	-20°C to 70°C	No condensation	
Accessory AC adaptor *1	-10°C to 70°C	No condensation	—
Storage Ambient Humidity	Less than 85%RH	No condensation	
Mounting Location	Indoor Only		
Mounting Direction	Installation on a flat surface or wall attachment		
Protection Rating	IP 20		
Mass	170g±10g(Other than the AC adaptor)		
Outer Dimensions	Refer to the Outer Dimension Drawing		
Remarks	*1 WDR-L-Z2 only *2 When using ADP-001(sold separately) it becomes specification of ADP-001.		

3. Structure Specifications

Item	Specifications	
	WDR-L-Z2	WDR-LE-Z2
Cover	Casting (Material: ABS/PBT)	
Case	Casting (Material: ABS/PBT)	

4. Performance Specifications

4.1. Wireless Specifications

Item	Specifications	
	WDR-L-Z2	WDR-LE-Z2
Wireless Communication Standard	IEEE 802.15.4	
Wireless Communication Frequency	2405 MHz - 2480 MHz (16 channels)	
Wireless Transmission Method	Direct diffusion (DS-SS) system	
Wireless Transmission Standard	ZigBee 2007 Conformity; ZigBee PRO-stack Loading (unique profile implementation)	
Wireless Transmission Speed	Maximum Theoretical Value of 250k-bps*1	
Number of transmitter connections	Max: 30 units(Recommended: 20 units) *2	
Wireless Transmission Output	No more than 3mW (Depending on Antenna Access Point)	
Radio Wave Range *1	About 30m from source (Reference Value)	
Conformity Standards	RoHS、CE (RE)、FCC	
Accessory AC adaptor *3	PSE Compliant AC Adaptor	-
Usable regions *4	Japan The United States of America, Europe , China, Indonesia, Taiwan, Thailand, Philippines, Vietnam, Mexico, Korea*5,Brazil*5	
Remarks	<p>*1 The radio transmission is dependent upon the environment and installed location.</p> <p>*2 The radio transmission is dependent upon the environment, installed location and number of communications.</p> <p>*3 WDR-L-Z2 only</p> <p>*4 Please do not use any regions nor countries other than admitted regions and countries. Failure to do so may come into conflict with the law.</p> <p>*5 In case of usage in South Korea or Brazil, please always use AC adapter ADP-001. Do not supply 24VDC onto WDR-LE-Z2 power terminal block directly.</p> <p>한국 국내에서 사용할 경우, 반드시 당사 AC어댑터[ADP-001](옵션)에 전원 인가하고, 본체 전원 단자대에 직접 DC24V를 인가하지 마십시오. 정상적으로 작동하지 않을 수 있습니다</p> <p>Quando use este produto em Brasil, alimentelo com el adaptador de CA proporcionado (ADP-001).</p> <p>No suministre la energía directamente al bloque de terminales de alimentación de 24 Vcc.</p>	

4.2. Interface Specifications

Item	Specifications	
	WDR-L-Z2	WDR-LE-Z2
Transmission Specifications	Ethernet	Physical layer: IEEE-802.3 conformity 10BASE-T/100BASE-TX (Full/Half)
		Data link layer: CSMA/CD system
		Network layer: IP
		Transport layer: TCP
		Application layer: Telnet, HTTP
	USB	USB1.1/USB2.0(Full Speed Support)
Output Specifications	Non-voltage Contact :1Contact DC24V 500mA	

Drawing No.	Page
WDR-LE-Z2-W18F	4 / 5

5.Functional Specifications

Item	Specifications
WDT Wireless Communication Function	Function to communicate with multiple WDT wirelessly. Using this function, you can communicate with up to 30 WDT units.
Host PC Communication Function	Function to communicate with one host PC via LAN or USB. You can connect one session at a time for a LAN connection.
Display Power Supply Status	Function for using an indicator (green LED) to display the WDR power supply input status. Green light: Power ON, light off: Power OFF
Initialize Network Settings	Function for resetting the LAN network settings to its factory default. Select by toggling a DIP switch on the unit.
Output contact control Function	By receiving commands from the host PC, this function controls the ON/OFF state of the contact terminal. This is a normally open contact.
Display Contact Status	This function displays the state of the contact with an LED indicator (red OUTPUT LED). Red light: ON, light off: OFF

1

2

3

4

5

6

7

8

A

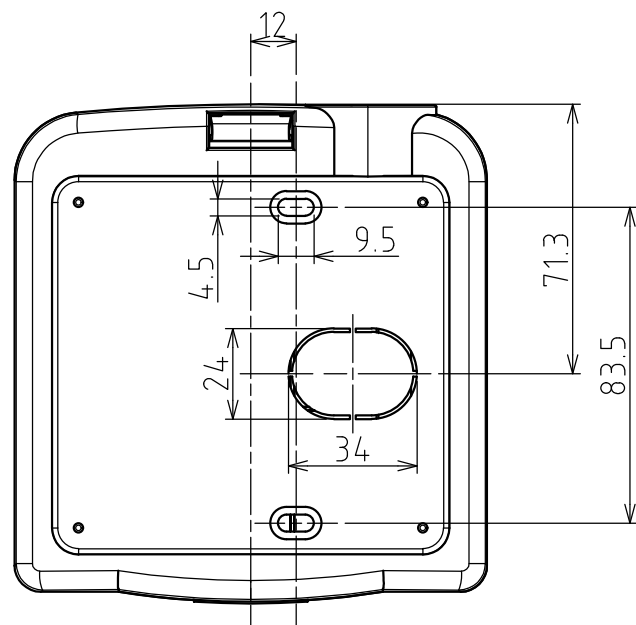
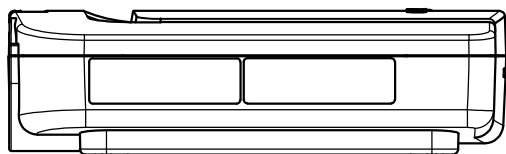
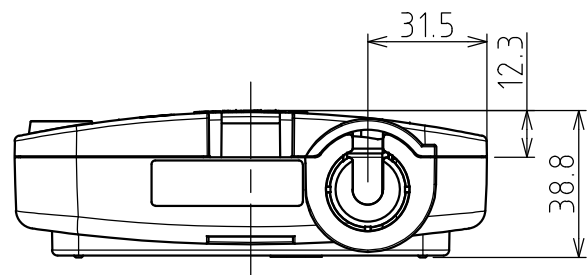
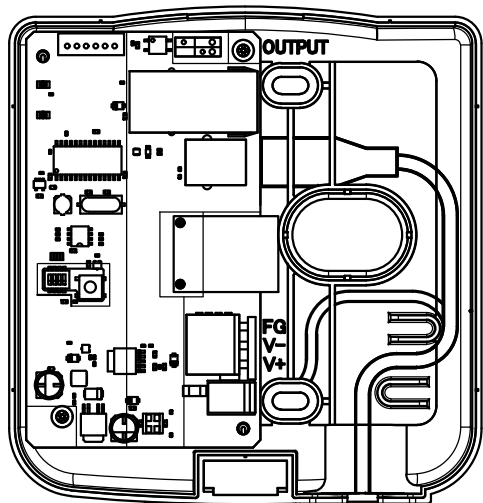
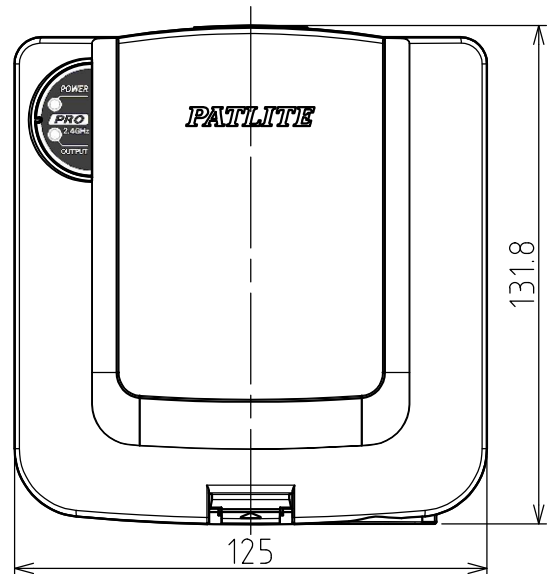
B

C

D

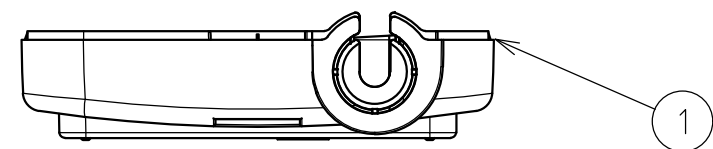
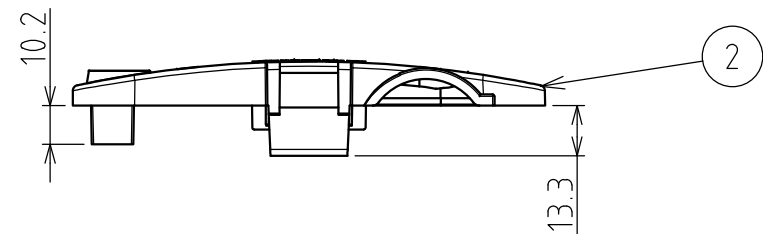
E

F



指定 外公差 General Tolerance	角度公差 ±[°] Angular tolerance ±[°]			寸法公差 ±[mm] Dimensional tolerance ±[mm]					図番 Drawing No. WDR-LE-Z2-W18F			ページ Page 5 / 5	
	短辺 長さ Length of short side	~	~100	精 f	6	30	120	300	1000	改訂 Rev.	年月日 Date	改訂履歴 Revisions	
	精 f	1	0.5	0.3	0.1	中 m	0.1	0.3	0.5				
	粗 v	3	1.5	1	0.5	粗 c	0.3	0.5	1	1.2	2		

改訂 Rev.	年月日 Date	改訂履歴 Revisions	
------------	-------------	-------------------	--



2	Cover	1	PBT/ABS resin Light gray
1	Case	1	PBT/ABS resin Light gray
番号 No.	部品名 Part Name	数量 Qty.	記事 Remarks
機種 Model	WDR-L/LE-Z2	特注No. S.P.No.	
図名 Name	Outer Dimensions Drawing		
品目コード Part No.	-	尺度 Scale -	三角法 3rd Angle P.
		単位 Unit mm	株式会社 PATLITE Corporation

1

2

3

4

5

6

7

8

Ver.2.0