





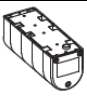



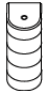



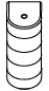
# SPECIFICATIONS

## [General Specifications]

Product Name		Signal Tower																																		
Model		WME-□02D																																		
Rated Voltage		24V DC																																		
Operating Voltage Range		Rated Voltage ±10%																																		
Signal Wire Current /Power Consumption		Per LED Unit																																		
		Red	Amber	Green	Blue	White																														
Signal wire current		Typ. 22mA	26mA	15mA	29mA	29mA																														
		Max. 26mA	35mA	20mA	35mA	35mA																														
Rated Power Consumption		Typ. 0.5W	0.6W	0.4W	0.7W	0.7W																														
		Max. 0.7W	0.9W	0.5W	0.9W	0.9W																														
Inrush Current	Power Supply Wire	-																																		
	Signal Wire	-																																		
Operating Ambient Temperature		-10°C to +55 °C																																		
Operating Ambient Humidity		Less than 90% (No condensation)																																		
Storage Ambient Temperature		-15°C to +60 °C																																		
Storage Ambient Humidity		Less than 90% (No condensation)																																		
Mounting Location		Indoor Only																																		
Mounting Direction		Upright 	Upward 	Downward 	Horizontal 																															
Protection Rating		IP54 (IEC 60529)																																		
Environmental Condition		Upright 	Upward 	Downward 	Horizontal 																															
Vibration Resistance		20m/s <sup>2</sup> (JIS C 60068-2-6)																																		
Insulation Resistance		More than 1MΩ at 500VDC between live part and non-current carrying metallic part																																		
Withstand Voltage		500VAC applied for 1min between live part and non-current carrying metallic part without breaking insulation																																		
Luminous Intensity (Typ.)		Red : 2000mcd Amber : 5200mcd Green : 3100mcd Blue : 1700mcd White : 8700mcd																																		
Mass (Tolerance ±10%)		1tier : 0.28kg 2tiers : 0.37kg 3tiers : 0.46kg 4tiers : 0.55kg 5tiers : 0.64kg																																		
Outer Dimensions		Refer to the Outer Dimensions Drawing																																		
Conformity Standards		UL 508, CSA-C22.2 No. 14 RoHS Directive (EN IEC 63000) KC (KN 61000-6-4, KN 61000-6-2)		EMC Directive (EN 61000-6-4, EN 61000-6-2) FCC Part15 SubpartB Class A																																
Remarks		<ul style="list-style-type: none"> <li>• Due to the characteristics of the LED elements, a variation in difference of the color tone and brightness of every product may occur.</li> <li>• Power Consumption is the sum total of each LED Unit. Example) WME-302D-RYG Rated Power Consumption(Typ.) 0.5W(LED Unit Red)+0.6W(LED Unit Amber)+0.4W(LED Unit Green) = 1.5W</li> <li>• Model Number Configuration</li> </ul> <table border="1" style="margin-left: auto; margin-right: auto;"> <tr> <td>Model</td> <td>Tiers</td> <td>Rated Voltage</td> <td>LED Unit Color</td> </tr> <tr> <td>WME</td> <td>-</td> <td>02</td> <td>D</td> </tr> </table> <div style="display: flex; justify-content: space-around; margin-top: 10px;"> <table border="1" style="font-size: small;"> <tr><td>1</td><td>1Tier</td></tr> <tr><td>2</td><td>2Tiers</td></tr> <tr><td>3</td><td>3Tiers</td></tr> <tr><td>4</td><td>4Tiers</td></tr> <tr><td>5</td><td>5Tiers</td></tr> </table> <table border="1" style="font-size: small;"> <tr><td>02</td><td>24V DC</td></tr> </table> <table border="1" style="font-size: small;"> <tr><td>R</td><td>Red</td></tr> <tr><td>Y</td><td>Amber</td></tr> <tr><td>G</td><td>Green</td></tr> <tr><td>B</td><td>Blue</td></tr> <tr><td>C</td><td>White</td></tr> </table> </div> <p>• CE Marking</p>					Model	Tiers	Rated Voltage	LED Unit Color	WME	-	02	D	1	1Tier	2	2Tiers	3	3Tiers	4	4Tiers	5	5Tiers	02	24V DC	R	Red	Y	Amber	G	Green	B	Blue	C	White
Model	Tiers	Rated Voltage	LED Unit Color																																	
WME	-	02	D																																	
1	1Tier																																			
2	2Tiers																																			
3	3Tiers																																			
4	4Tiers																																			
5	5Tiers																																			
02	24V DC																																			
R	Red																																			
Y	Amber																																			
G	Green																																			
B	Blue																																			
C	White																																			







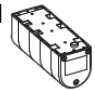

Drawing No.	Rev.	Page
WME-D-W18	C	2 / 9

[General Specifications]

Product Name		Signal Tower																																							
Model		WME-□02DFB																																							
Rated Voltage		24V DC																																							
Operating Voltage Range		Rated Voltage ±10%																																							
Signal Wire Current /Power Consumption		Per LED Unit																																							
			Red	Amber	Green	Blue	White	Buzzer																																	
		Signal wire current	Typ.	22mA	26mA	15mA	29mA	29mA	40mA																																
			Max.	26mA	35mA	20mA	35mA	35mA	50mA																																
Rated Power Consumption		Typ.	0.5W	0.6W	0.4W	0.7W	0.7W	1.0W																																	
		Max.	0.7W	0.9W	0.5W	0.9W	0.9W	1.2W																																	
Inrush Current	Power Supply Wire	-																																							
	Signal Wire	LED Unit : - / Buzzer : 100mA ,Less than 3ms																																							
Operating Ambient Temperature		-10°C to +55 °C																																							
Operating Ambient Humidity		Less than 90% (No condensation)																																							
Storage Ambient Temperature		-15°C to +60 °C																																							
Storage Ambient Humidity		Less than 90% (No condensation)																																							
Mounting Location		Indoor Only																																							
Mounting Direction		Upright 	Upward 	Downward 	Horizontal 																																				
Protection Rating		IP54 (IEC 60529)																																							
Environmental Condition		Upright 																																							
Vibration Resistance		20m/s <sup>2</sup> (JIS C 60068-2-6)																																							
Insulation Resistance		More than 1MΩ at 500VDC between live part and non-current carrying metallic part																																							
Withstand Voltage		500VAC applied for 1min between live part and non-current carrying metallic part without breaking insulation																																							
Buzzer Sound		Buzzer1 : Rapid intermittent beep 1 / 2620Hz Buzzer2 : Rapid intermittent beep 2 / 2620Hz																																							
Sound Pressure Level (Typ.)		93dB																																							
Environmental		Buzzer1 measured from the front direction of the buzzer opening at 1m																																							
Luminous Intensity (Typ.)		Red : 2000mcd Amber : 5200mcd Green : 3100mcd Blue : 1700mcd White : 8700mcd																																							
Mass (Tolerance ±10%)		1tier : 0.28kg 2tiers : 0.37kg 3tiers : 0.46kg 4tiers : 0.55kg 5tiers : 0.64kg																																							
Flashing Rate		60±2 Flashes Per Minute																																							
Outer Dimensions		Refer to the Outer Dimensions Drawing																																							
Conformity Standards		UL 508, CSA-C22.2 No. 14			EMC Directive (EN 61000-6-4, EN 61000-6-2)																																				
		RoHS Directive (EN IEC 63000)			FCC Part15 SubpartB Class A																																				
		KC (KN 61000-6-4, KN 61000-6-2)																																							
Remarks		<ul style="list-style-type: none"> <li>• Due to the characteristics of the LED elements, a variation in difference of the color tone and brightness of every product may occur.</li> <li>• Power Consumption is the sum total of each LED Unit and Buzzer. Example) WME-302DFB-RYG Rated Power Consumption(Typ.) 0.5W(LED Unit Red)+0.6W(LED Unit Amber)+0.4W(LED Unit Green)+1.0W(Buzzer) = 2.5W</li> <li>• Model Number Configuration</li> </ul> <table border="1" data-bbox="571 1758 1276 1854"> <thead> <tr> <th>Model</th> <th>Tiers</th> <th>Rated Voltage</th> <th>Flashing /Buzzer</th> <th>LED Unit Color</th> </tr> </thead> <tbody> <tr> <td>WME</td> <td>-</td> <td>02</td> <td>D</td> <td>FB</td> </tr> </tbody> </table> <div style="display: flex; justify-content: space-around; margin-top: 10px;"> <table border="1" data-bbox="758 1863 853 1975"> <tr><td>1</td><td>1Tier</td></tr> <tr><td>2</td><td>2Tiers</td></tr> <tr><td>3</td><td>3Tiers</td></tr> <tr><td>4</td><td>4Tiers</td></tr> <tr><td>5</td><td>5Tiers</td></tr> </table> <table border="1" data-bbox="869 1863 997 1892"> <tr><td>02</td><td>24V DC</td></tr> </table> <table border="1" data-bbox="1029 1863 1236 1892"> <tr><td>FB</td><td>With Flashing/Buzzer</td></tr> </table> <table border="1" data-bbox="1268 1863 1364 1975"> <tr><td>R</td><td>Red</td></tr> <tr><td>Y</td><td>Amber</td></tr> <tr><td>G</td><td>Green</td></tr> <tr><td>B</td><td>Blue</td></tr> <tr><td>C</td><td>White</td></tr> </table> </div> <p>From top to bottom</p> <ul style="list-style-type: none"> <li>• CE Marking</li> </ul>						Model	Tiers	Rated Voltage	Flashing /Buzzer	LED Unit Color	WME	-	02	D	FB	1	1Tier	2	2Tiers	3	3Tiers	4	4Tiers	5	5Tiers	02	24V DC	FB	With Flashing/Buzzer	R	Red	Y	Amber	G	Green	B	Blue	C	White
Model	Tiers	Rated Voltage	Flashing /Buzzer	LED Unit Color																																					
WME	-	02	D	FB																																					
1	1Tier																																								
2	2Tiers																																								
3	3Tiers																																								
4	4Tiers																																								
5	5Tiers																																								
02	24V DC																																								
FB	With Flashing/Buzzer																																								
R	Red																																								
Y	Amber																																								
G	Green																																								
B	Blue																																								
C	White																																								

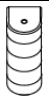



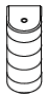
Drawing No.	Rev.	Page
WME-D-W18	C	3 / 9

[General Specifications]

Product Name		Signal Tower																																			
Model		WME-□M2D																																			
Rated Voltage		100-240V AC (50/60Hz)																																			
Operating Voltage Range		90-250V AC (50/60Hz)																																			
Signal Wire Current /Power Consumption		Per LED Unit																																			
		Red	Amber	Green	Blue	White																															
Signal wire current	Typ.	22mA	26mA	15mA	29mA	29mA																															
	Max.	26mA	35mA	20mA	35mA	35mA																															
Rated Power Consumption	Typ.	0.8W	0.9W	0.6W	1.0W	1.0W																															
	Max.	1.1W	1.2W	0.9W	1.3W	1.3W																															
		Main unit power consumption /Standby Power Consumption : 0.3W																																			
Inrush Current	Power Supply Wire	100V : 11A, Less than 2ms / 240V : Less than 25A, Less than 2ms																																			
	Signal Wire	-																																			
Operating Ambient Temperature		-10°C to +50 °C																																			
Operating Ambient Humidity		Less than 90% (No condensation)																																			
Storage Ambient Temperature		-15°C to +55 °C																																			
Storage Ambient Humidity		Less than 90% (No condensation)																																			
Mounting Location		Indoor Only																																			
Mounting Direction		Upright 	Upward 	Downward 	Horizontal 																																
Protection Rating		IP54 (IEC 60529)																																			
Environmental Condition		Upright 	Upward 	Downward 	Horizontal 																																
Vibration Resistance		20m/s <sup>2</sup> (JIS C 60068-2-6)																																			
Insulation Resistance		More than 1MΩ at 500VDC between live part and non-current carrying metallic part																																			
Withstand Voltage		1500VAC applied for 1min between live part and non-current carrying metallic part without breaking insulation																																			
Luminous Intensity (Typ.)		Red : 2000mcd Amber : 5200mcd Green : 3100mcd Blue : 1700mcd White : 8700mcd																																			
Mass (Tolerance ±10%)		1tier : 0.35kg 2tiers : 0.44kg 3tiers : 0.53kg 4tiers : 0.62kg 5tiers : 0.71kg																																			
Outer Dimensions		Refer to the Outer Dimensions Drawing																																			
Conformity Standards		UL 508, CSA-C22.2 No. 14		EMC Directive (EN 61000-6-4, EN 61000-6-2)																																	
		RoHS Directive (EN IEC 63000)		FCC Part15 SubpartB Class A																																	
		KC (KN 61000-6-4, KN 61000-6-2)		Low Voltage Directive(IEC/EN60947-5-1,EN62471)																																	
Remarks		<ul style="list-style-type: none"> <li>• Due to the characteristics of the LED elements, a variation in difference of the color tone and brightness of every product may occur.</li> <li>• Power Consumption is the sum total of each LED Unit and Main unit power consumption. Example) WME-3M2D-RYG Rated Power Consumption(Typ.) 0.8W(LED Unit Red)+0.9W(LED Unit Amber)+0.6W(LED Unit Green) +0.3W(Main unit power consumption) = 2.6W</li> <li>• Model Number Configuration</li> </ul> <table border="1" style="margin-left: 20px;"> <tr> <td>Model</td> <td>Tiers</td> <td>Rated Voltage</td> <td colspan="2">LED Unit Color</td> </tr> <tr> <td>WME</td> <td>-</td> <td>M2</td> <td>D</td> <td>-</td> </tr> </table> <div style="margin-left: 40px;"> <table border="1"> <tr> <td>1</td> <td>1Tier</td> <td rowspan="5">M2   100-240V AC</td> <td>R</td> <td>Red</td> </tr> <tr> <td>2</td> <td>2Tiers</td> <td>Y</td> <td>Amber</td> </tr> <tr> <td>3</td> <td>3Tiers</td> <td>G</td> <td>Green</td> </tr> <tr> <td>4</td> <td>4Tiers</td> <td>B</td> <td>Blue</td> </tr> <tr> <td>5</td> <td>5Tiers</td> <td>C</td> <td>White</td> </tr> </table> <p style="margin-left: 20px;">From top to bottom</p> </div> <ul style="list-style-type: none"> <li>• CE Marking</li> </ul>					Model	Tiers	Rated Voltage	LED Unit Color		WME	-	M2	D	-	1	1Tier	M2   100-240V AC	R	Red	2	2Tiers	Y	Amber	3	3Tiers	G	Green	4	4Tiers	B	Blue	5	5Tiers	C	White
Model	Tiers	Rated Voltage	LED Unit Color																																		
WME	-	M2	D	-																																	
1	1Tier	M2   100-240V AC	R	Red																																	
2	2Tiers		Y	Amber																																	
3	3Tiers		G	Green																																	
4	4Tiers		B	Blue																																	
5	5Tiers		C	White																																	

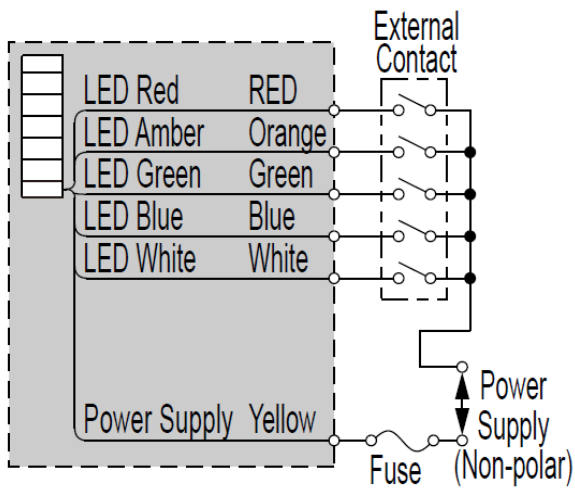
Drawing No.	Rev.	Page
WME-D-W18	C	4 / 9

[General Specifications]

Product Name		Signal Tower																																								
Model		WME-□M2DFB																																								
Rated Voltage		100-240V AC (50/60Hz)																																								
Operating Voltage Range		90-250V AC (50/60Hz)																																								
Signal Wire Current /Power Consumption		Per LED Unit																																								
		Red	Amber	Green	Blue	White	Buzzer																																			
Signal wire current		Typ. 22mA	26mA	15mA	29mA	29mA	5mA																																			
		Max. 26mA	35mA	20mA	35mA	35mA	6mA																																			
Rated Power Consumption		Typ. 0.8W	0.9W	0.6W	1.0W	1.0W	0.9W																																			
		Max. 1.1W	1.2W	0.9W	1.3W	1.3W	1.2W																																			
		Main unit power consumption /Standby Power Consumption : 0.3W																																								
Inrush Current	Power Supply Wire	100V : 11A, Less than 2ms / 240V : Less than 25A, Less than 2ms																																								
	Signal Wire	-																																								
Operating Ambient Temperature		-10°C to +50 °C																																								
Operating Ambient Humidity		Less than 90% (No condensation)																																								
Storage Ambient Temperature		-15°C to +55 °C																																								
Storage Ambient Humidity		Less than 90% (No condensation)																																								
Mounting Location		Indoor Only																																								
Mounting Direction		Upright 	Upward 	Downward 	Horizontal 																																					
Protection Rating		IP54 (IEC 60529)																																								
Environmental Condition		Upright 																																								
Vibration Resistance		20m/s <sup>2</sup> (JIS C 60068-2-6)																																								
Insulation Resistance		More than 1MΩ at 500VDC between live part and non-current carrying metallic part																																								
Withstand Voltage		1500VAC applied for 1min between live part and non-current carrying metallic part without breaking insulation																																								
Buzzer Sound		Buzzer1 : Rapid intermittent beep 1 / 2620Hz ; Buzzer2 : Rapid intermittent beep 2 / 2620Hz																																								
Sound Pressure Level (Typ.)		93dB																																								
Environmental		Buzzer1 measured from the front direction of the buzzer opening at 1m																																								
Luminous Intensity (Typ.)		Red : 2000mcd Amber : 5200mcd Green : 3100mcd Blue : 1700mcd White : 8700mcd																																								
Mass (Tolerance ±10%)		1tier : 0.35kg 2tiers : 0.44kg 3tiers : 0.53kg 4tiers : 0.62kg 5tiers : 0.71kg																																								
Flashing Rate		60±2 Flashes Per Minute																																								
Outer Dimensions		Refer to the Outer Dimensions Drawing																																								
Conformity Standards		UL 508, CSA-C22.2 No. 14		EMC Directive (EN 61000-6-4, EN 61000-6-2)																																						
		RoHS Directive (EN IEC 63000)		FCC Part15 SubpartB Class A																																						
		KC (KN 61000-6-4, KN 61000-6-2)		Low Voltage Directive(IEC/EN60947-5-1,EN62471)																																						
Remarks		<p>• Due to the characteristics of the LED elements, a variation in difference of the color tone and brightness of every product may occur.</p> <p>• Power Consumption is the sum total of each LED Unit, Buzzer and Main unit power consumption. Example) WME-3M2DFB-RYG Rated Power Consumption(Typ.) 0.8W(LED Unit Red)+0.9W(LED Unit Amber)+0.6W(LED Unit Green) +0.9W(Buzzer)+0.3W(Main unit power consumption) = 3.5W</p> <p>• Model Number Configuration</p> <table border="1" style="margin-left: auto; margin-right: auto;"> <thead> <tr> <th>Model</th> <th>Tiers</th> <th>Rated Voltage</th> <th>Flashing /Buzzer</th> <th>LED Unit Color</th> </tr> </thead> <tbody> <tr> <td>WME</td> <td>-</td> <td>↓</td> <td>M2</td> <td>D</td> <td>FB</td> <td>-</td> <td>↓</td> </tr> </tbody> </table> <p style="margin-left: 20px;"> <table border="1" style="display: inline-table; margin-right: 20px;"> <tr><td>1</td><td>1Tier</td></tr> <tr><td>2</td><td>2Tiers</td></tr> <tr><td>3</td><td>3Tiers</td></tr> <tr><td>4</td><td>4Tiers</td></tr> <tr><td>5</td><td>5Tiers</td></tr> </table> <table border="1" style="display: inline-table; margin-right: 20px;"> <tr><td>FB</td><td>With Flashing/Buzzer</td></tr> </table> <table border="1" style="display: inline-table;"> <tr><td>R</td><td>Red</td></tr> <tr><td>Y</td><td>Amber</td></tr> <tr><td>G</td><td>Green</td></tr> <tr><td>B</td><td>Blue</td></tr> <tr><td>C</td><td>White</td></tr> </table> <p style="margin-left: 20px;">From top to bottom</p> </p> <p>• CE Marking</p>						Model	Tiers	Rated Voltage	Flashing /Buzzer	LED Unit Color	WME	-	↓	M2	D	FB	-	↓	1	1Tier	2	2Tiers	3	3Tiers	4	4Tiers	5	5Tiers	FB	With Flashing/Buzzer	R	Red	Y	Amber	G	Green	B	Blue	C	White
Model	Tiers	Rated Voltage	Flashing /Buzzer	LED Unit Color																																						
WME	-	↓	M2	D	FB	-	↓																																			
1	1Tier																																									
2	2Tiers																																									
3	3Tiers																																									
4	4Tiers																																									
5	5Tiers																																									
FB	With Flashing/Buzzer																																									
R	Red																																									
Y	Amber																																									
G	Green																																									
B	Blue																																									
C	White																																									

[Wiring]

**WME-□02D**



**Recommended Fuse**

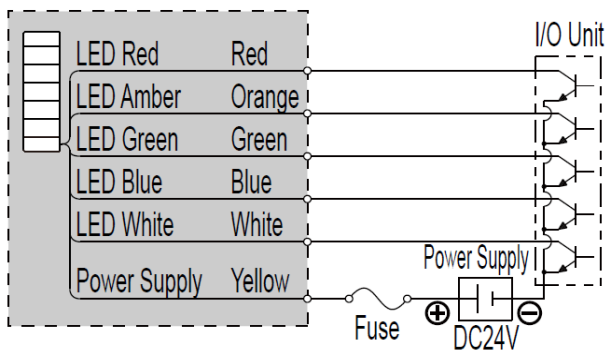
Fuse Ampere Ratings
250V / 1A (5×20mm Fast-Acting Glass Body Cartridge Fuse)

**Wire Type & Wire Gauge**

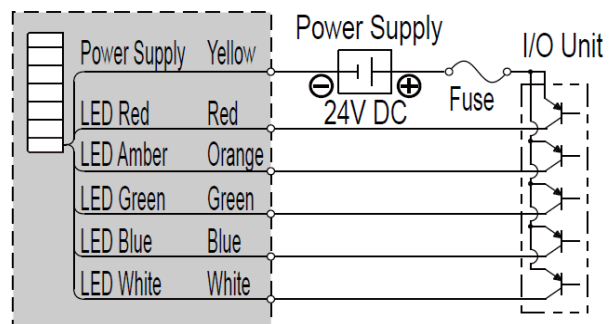
Power Supply Wire, Signal Wire and Common Wire

...UL1061 / AWG24

**NPN transistor**

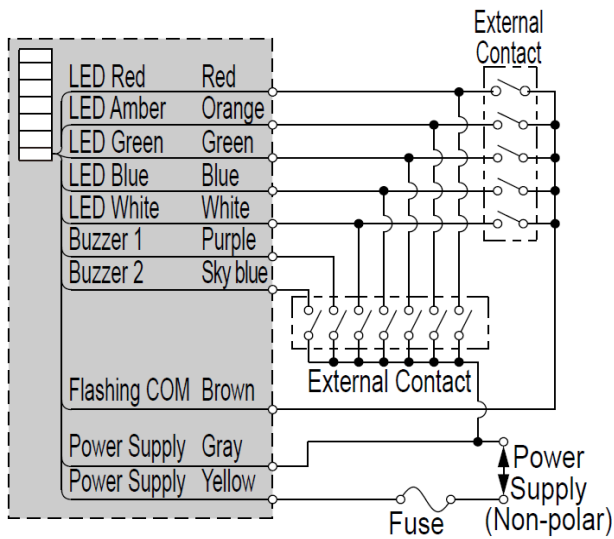


**PNP transistor**



[Wiring]

**WME-□02DFB**



**Recommended Fuse**

Fuse Ampere Ratings
250V / 1A (5×20mm Fast-Acting Glass Body Cartridge Fuse)

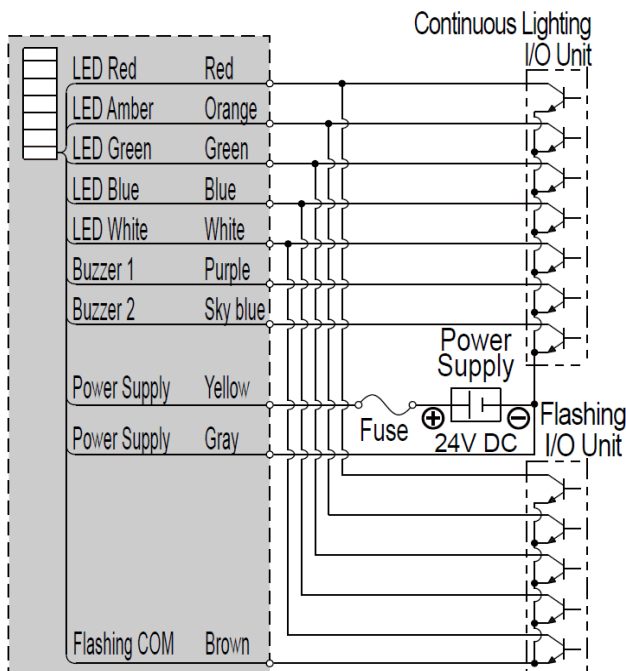
**Wire Type & Wire Gauge**

Power Supply Wire, Signal Wire and Common Wire

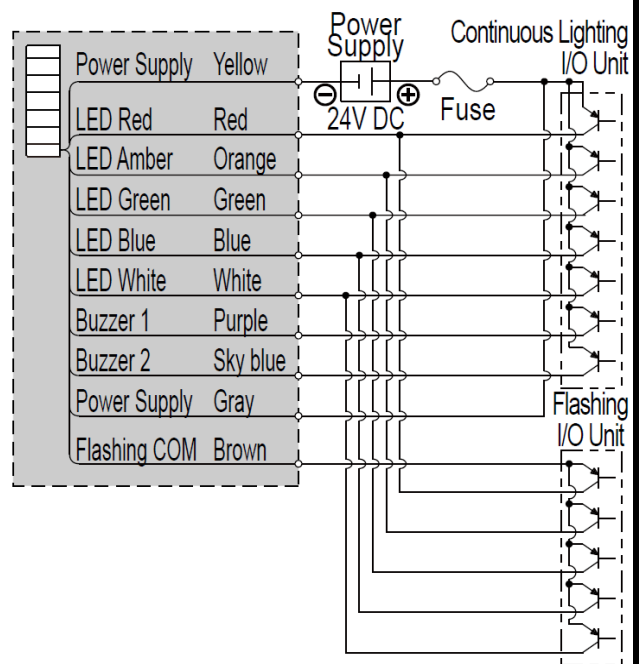
...UL1061 / AWG24

**CAUTION** Do not apply voltage to the Flashing COM (Brown) wire.

**NPN transistor**

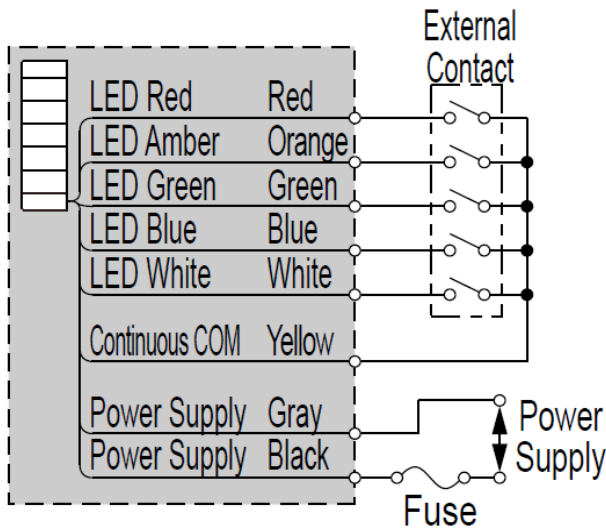


**PNP transistor**



[Wiring]

WME-□M2D



Recommended Fuse

Fuse Ampere Ratings
250V / 1A (5×20mm Fast-Acting Glass Body Cartridge Fuse)

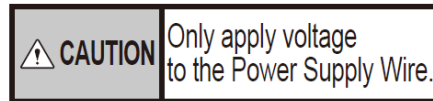
Wire Type & Wire Gauge

Power Supply Wire(Gray, Black)···UL1015 / AWG18

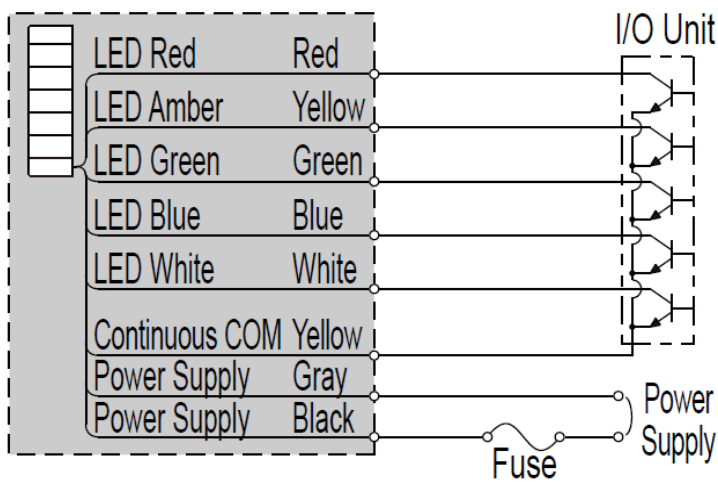
Excluding Power Supply Wire(Gray, Black)

···UL1061 / AWG24

※The signal wire voltage is 24V DC.

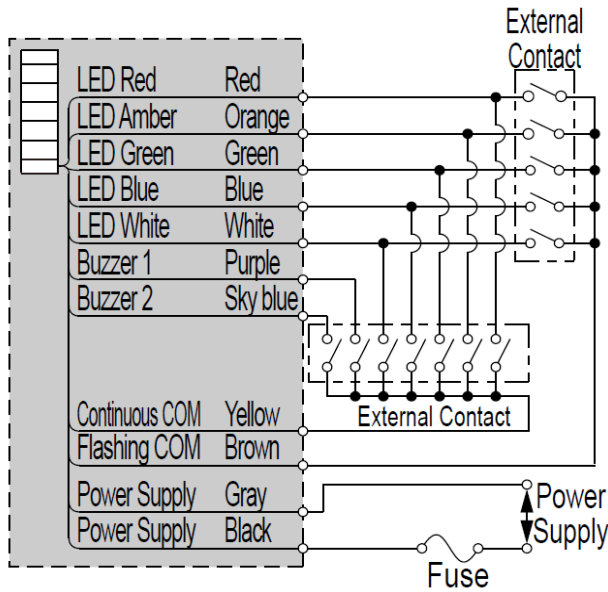


NPN transistor



[Wiring]

WME-□M2DFB



Recommended Fuse

Fuse Ampere Ratings
250V / 1A (5×20mm Fast-Acting Glass Body Cartridge Fuse)

Wire Type & Wire Gauge

Power Supply Wire(Gray, Black)···UL1015 / AWG18

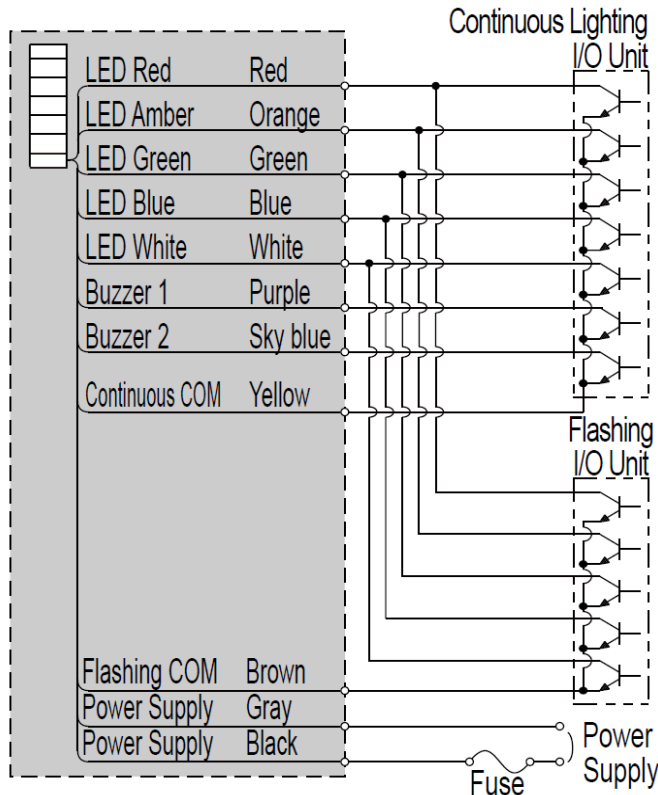
Excluding Power Supply Wire(Gray, Black)

···UL1061 / AWG24

※The signal wire voltage is 24V DC.

**CAUTION** Only apply voltage to the Power Supply Wire.

NPN transistor



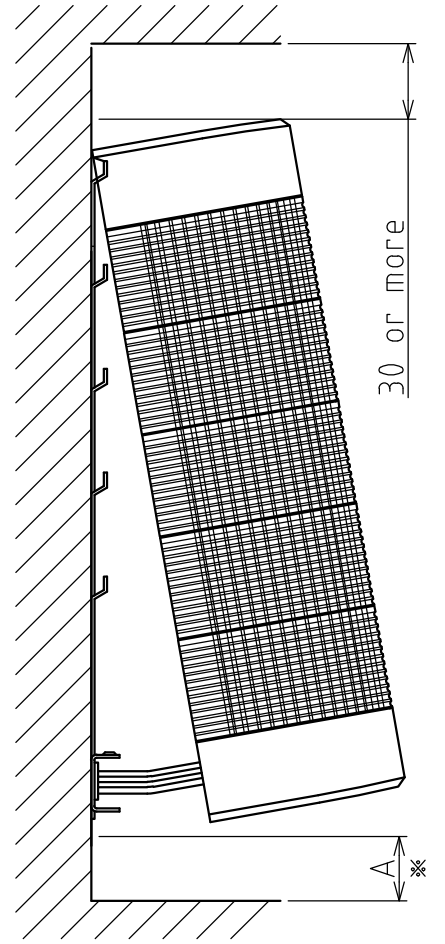
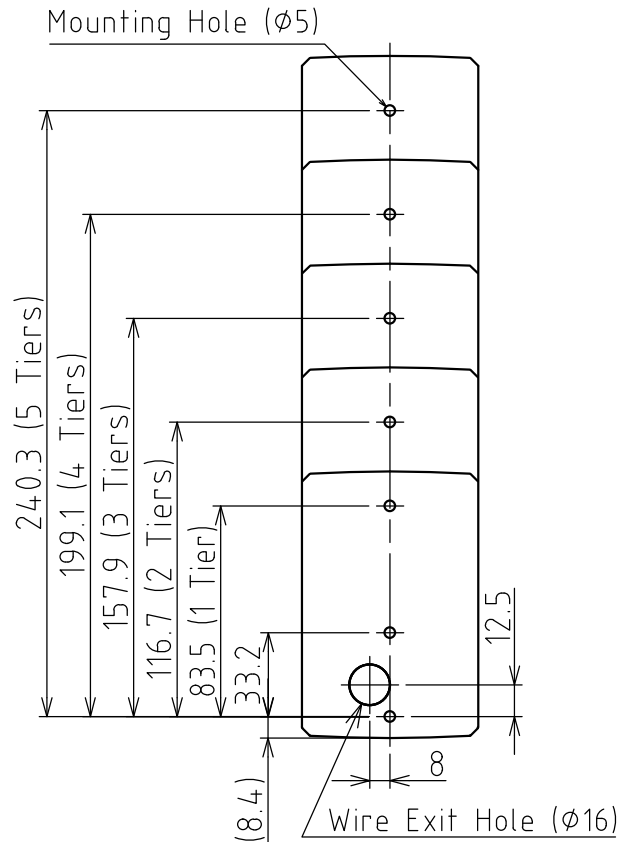
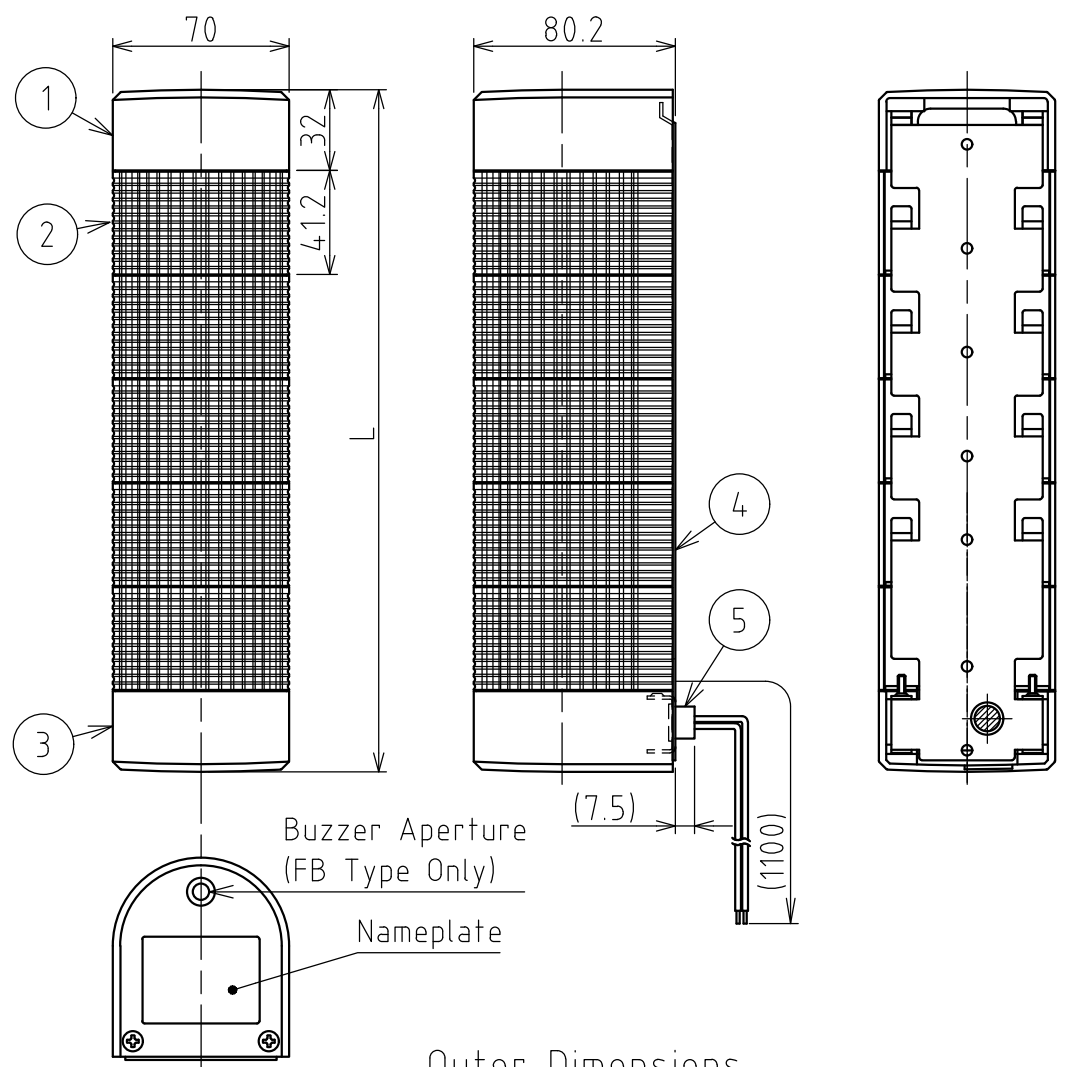


指定公差 General tolerance	角度公差 ±[°] Angular tolerance ±[°]			寸法公差 ±[mm] Dimensional tolerance ±[mm]					図番 Drawing No. WME-D-W18		ページ Page 9 / 9	
	短辺長さ Length of short side	~	~100	6	30	120	300	1000	改訂 Rev. 年月日 Date	改訂履歴 Revisions		
	精 f	1	0.5	0.3	0.1	中 m	0.1	0.3				0.5
	粗 v	3	1.5	1	0.5	粗 c	0.3	0.5	1	1.2	2	

Dimension L

	1 Tier	2 Tiers	3 Tiers	4 Tiers	5 Tiers
L	105.7	146.9	188.1	229.3	270.5

※ When the unit is installed on a recessed wall, leave enough space (A) for screwdriver to access at bracket side.



5	Code bushing	1	Polyamide 66 resin (Black)
4	Metal Fitting	1	SPCC/MFZn-C/t1.2
3	Bracket	1	PC Resin (Off-white)
2	LED Unit Assembly	Tiers	Globe:PC Resin
1	Head Cover	1	PC Resin (Off-white)
番号 No.	部品名 Part Name	数量 Qty.	記事 Remarks
機種 Model	WME-D		特注No. S.P.No. -
		図名 Name	Outer Dimensions Drawing
品目コード Part No.	-	尺度 Scale -	三角法 3rd Angle P.
		単位 Unit mm	株式会社 PATLITE Corporation